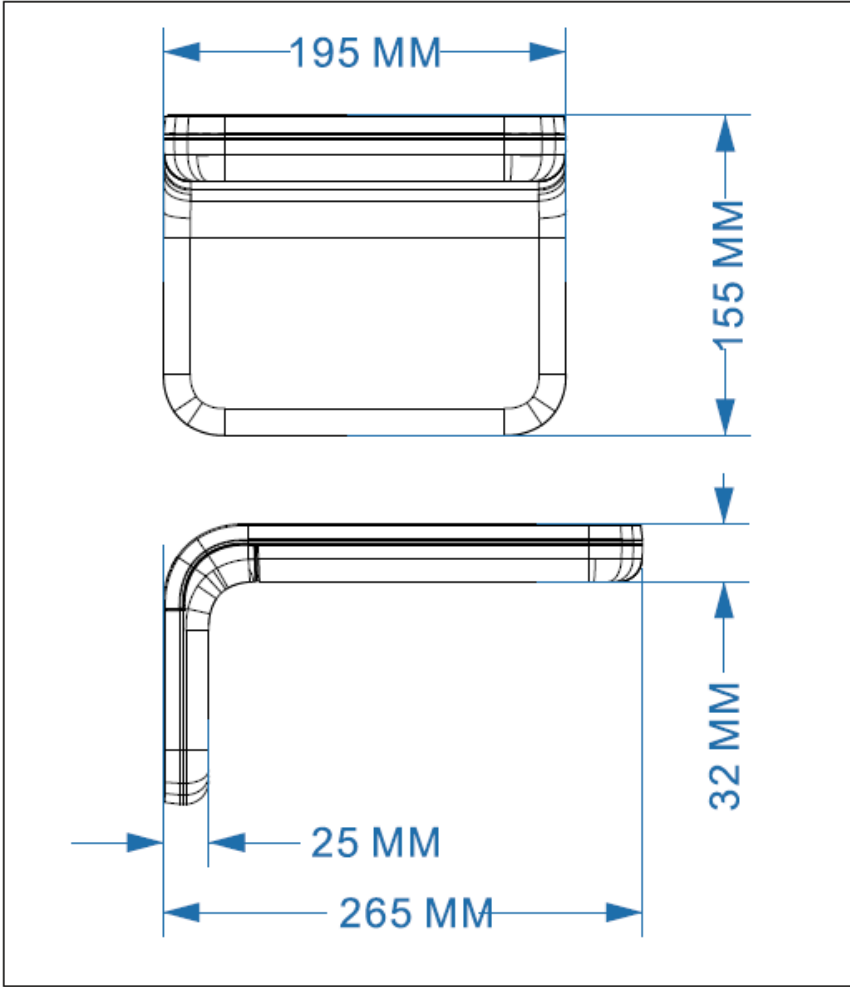
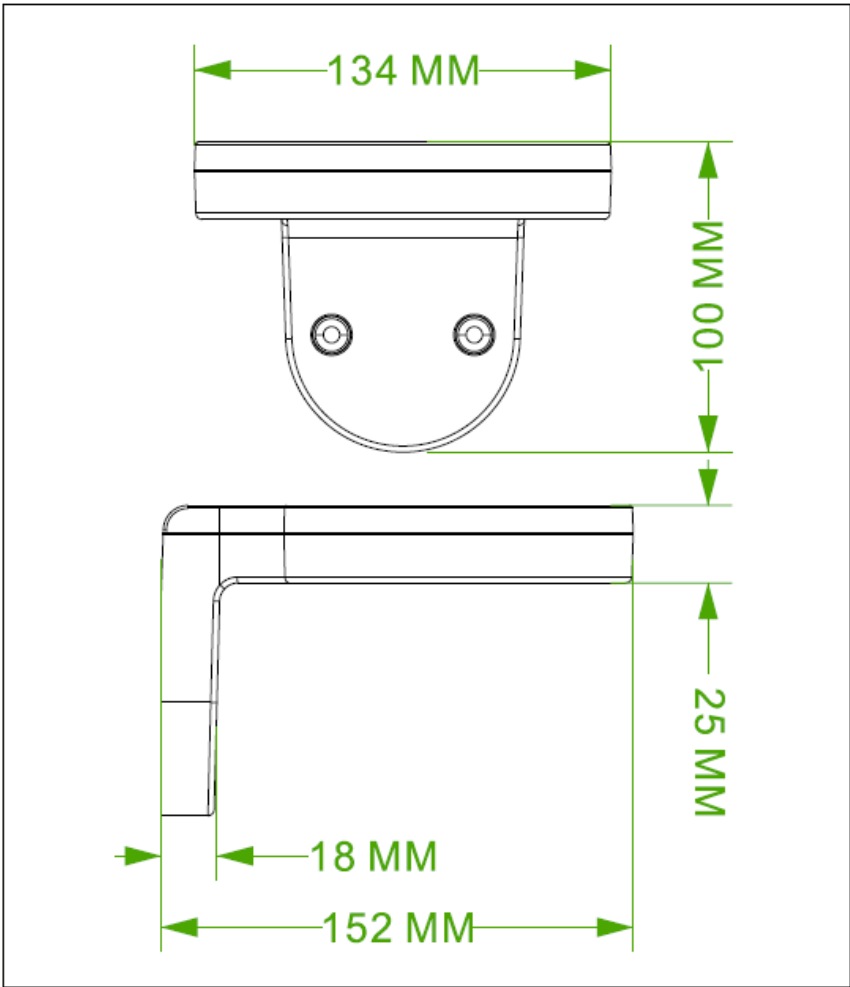


Technical Drawing



Type A



Type B