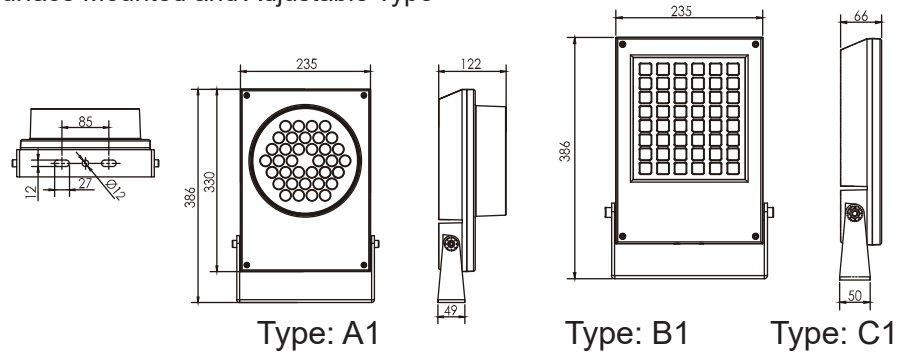


Technical Drawing

Medium -50W 60W 80W 100W



Surface Mounted and Adjustable Type

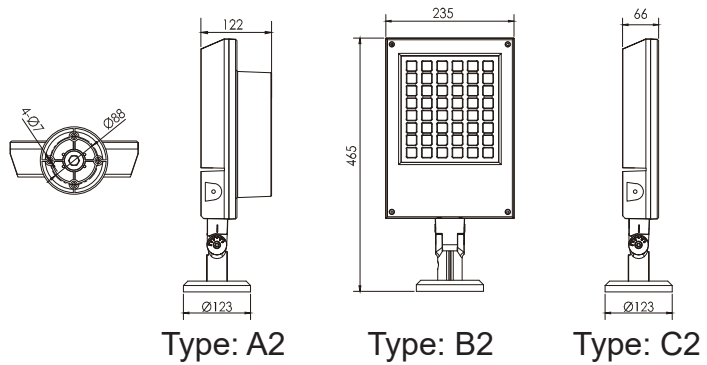


Type: A1

Type: B1

Type: C1

Surface Mounted and Adjustable Type

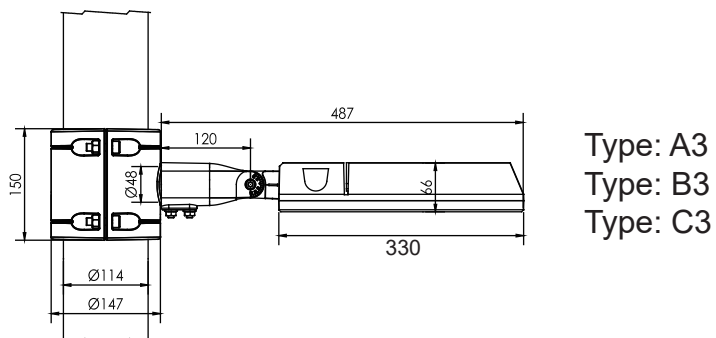


Type: A2

Type: B2

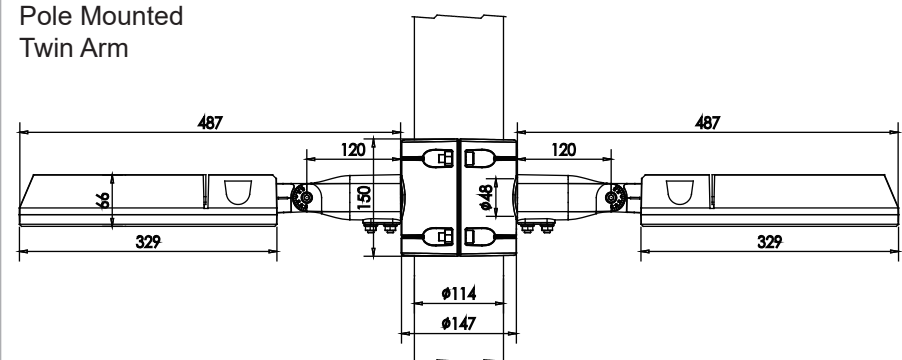
Type: C2

Pole Mounted Single Arm



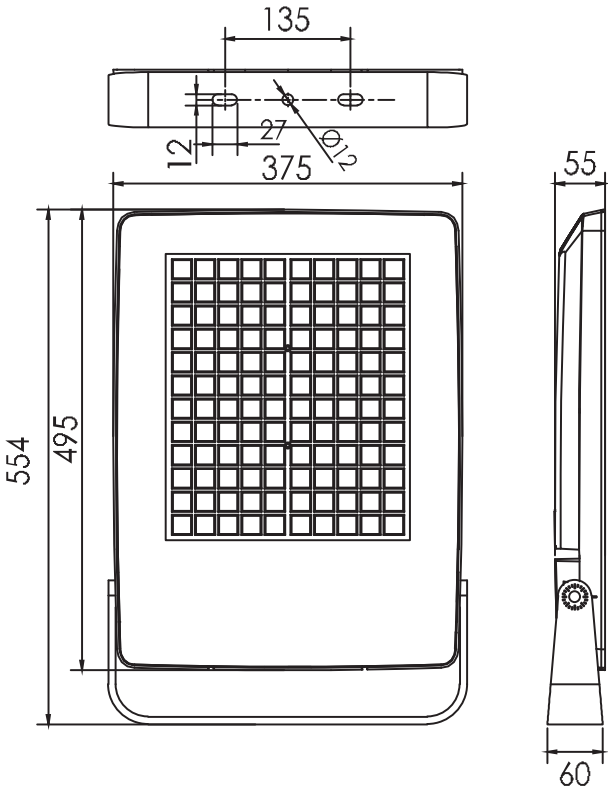
Type: A3
Type: B3
Type: C3

Pole Mounted Twin Arm



Technical Drawing-Large & Small

Large Version :
150W /180W/200W/240W



Small Version:
25W 30W 35W

