

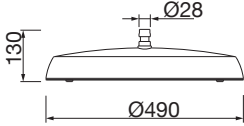
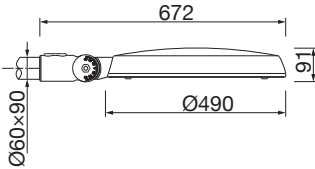
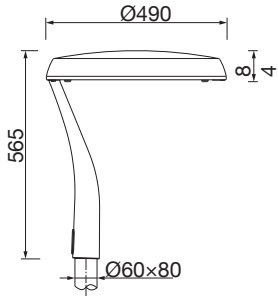
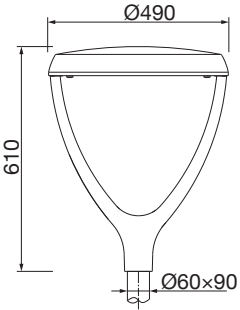
Technical Drawing

TYPE T

TYPE L

TYPE S

TYPE P

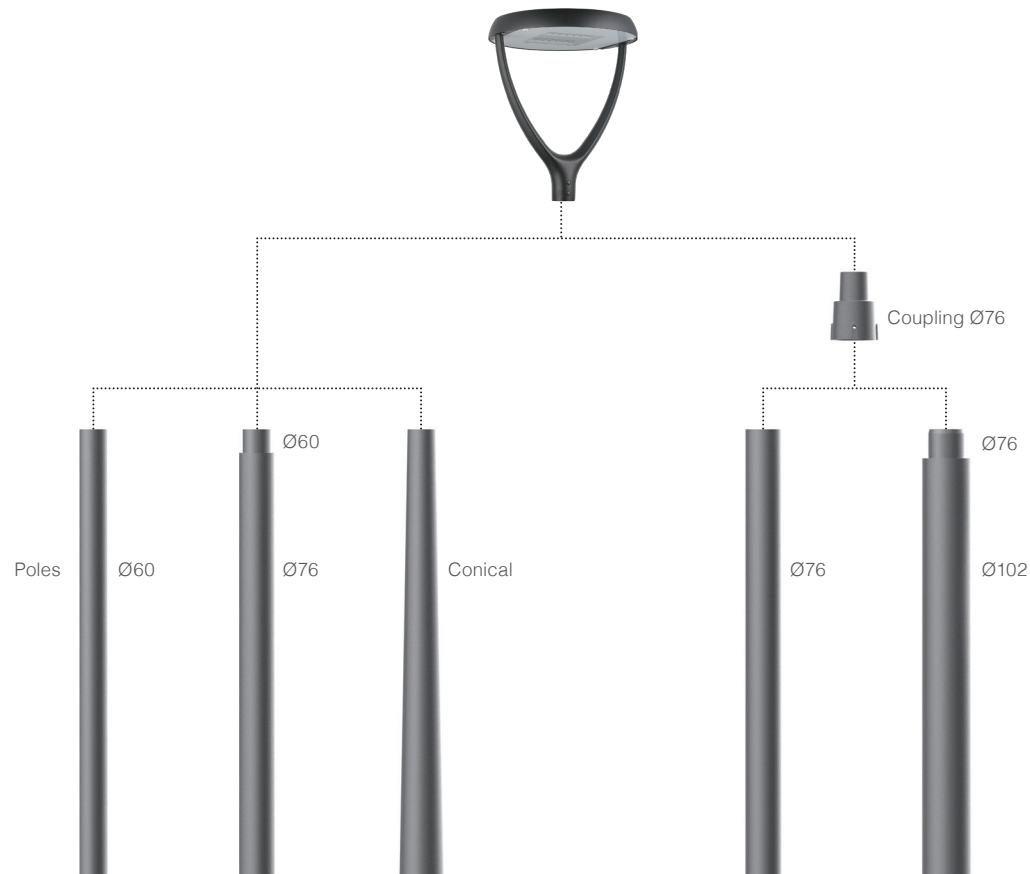


NEMA System



Unit: mm

Technical Drawing



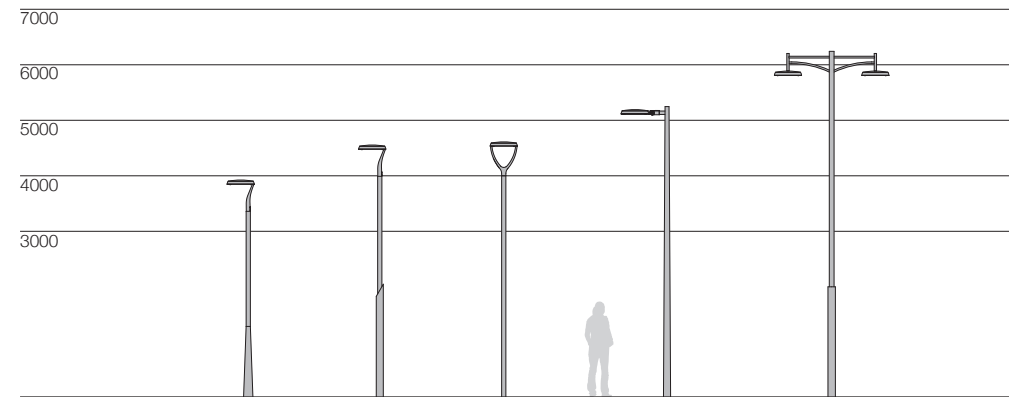
Accessories



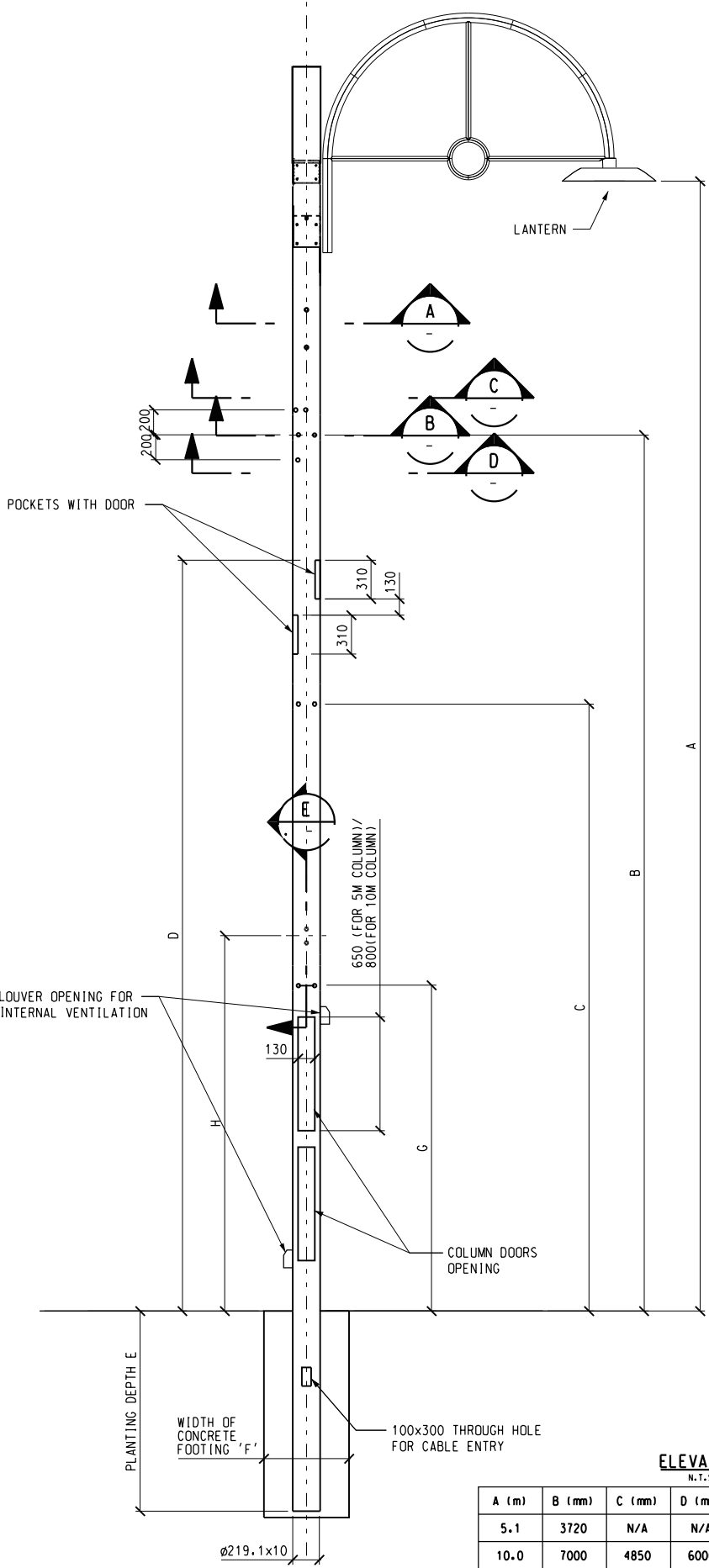
Ø60-76 Pole reducer Required for install on the pole.

Code

210001465

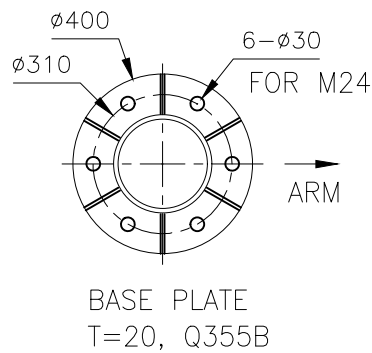
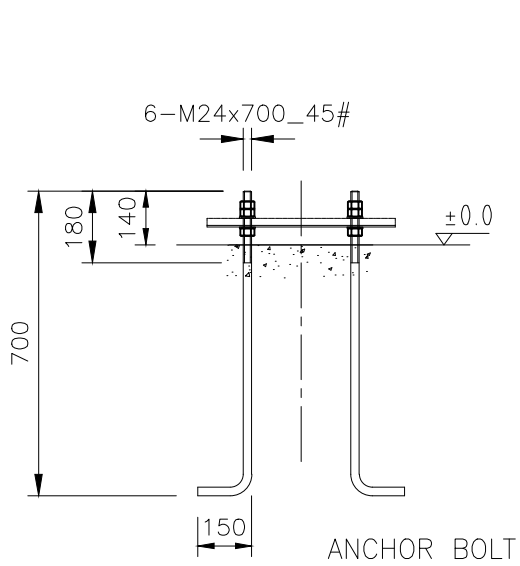
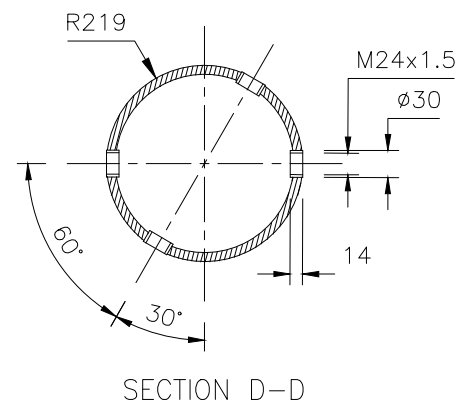
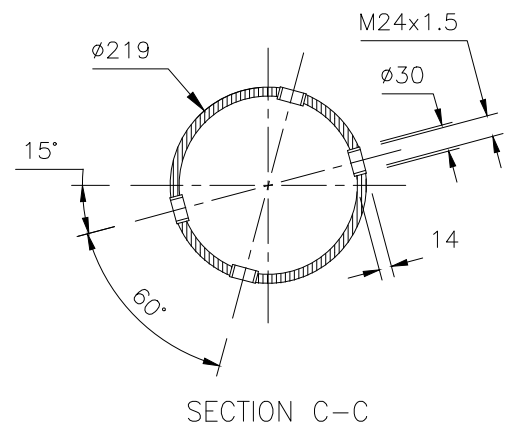
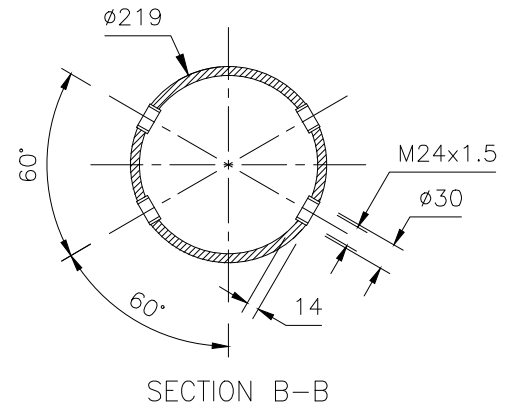
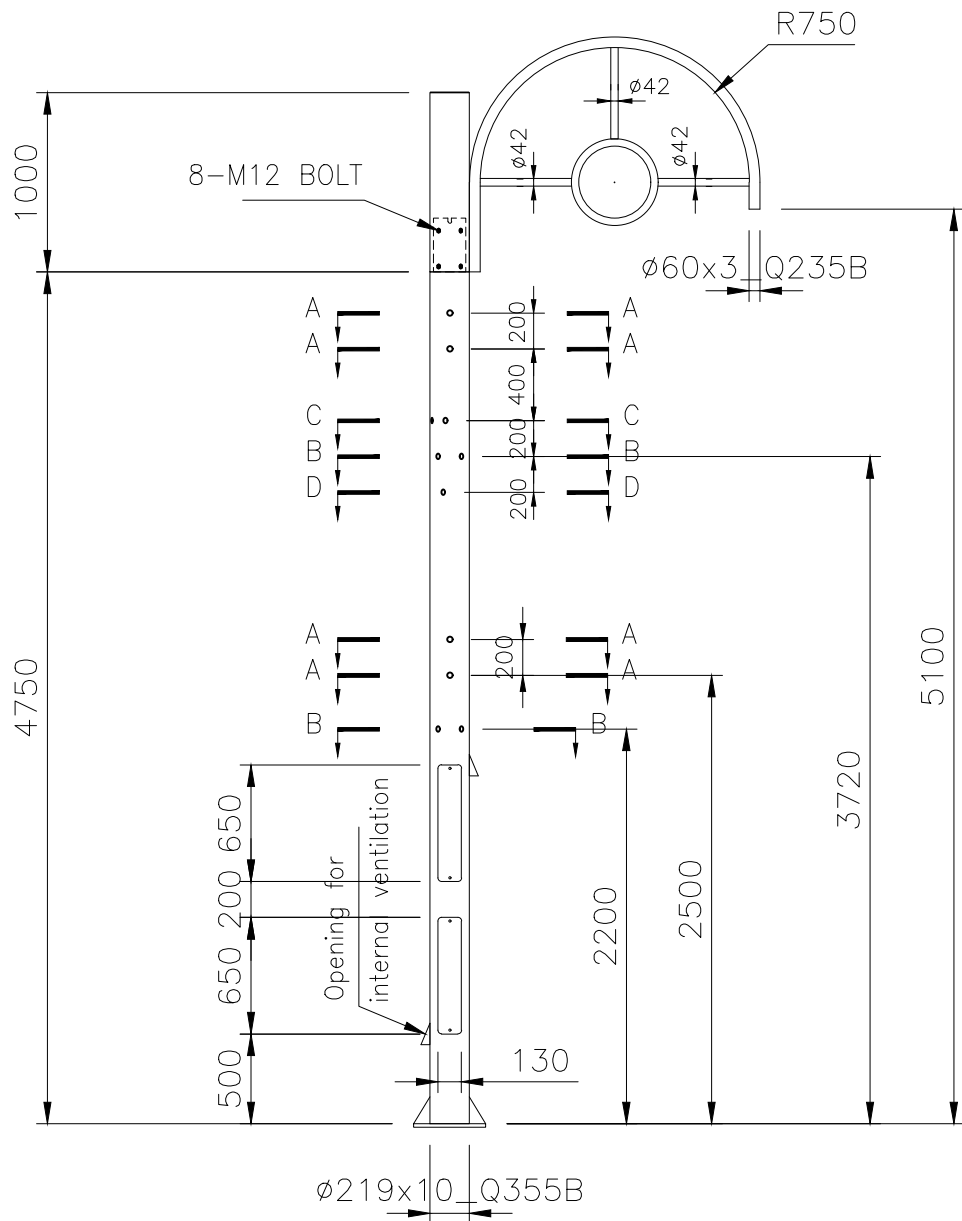
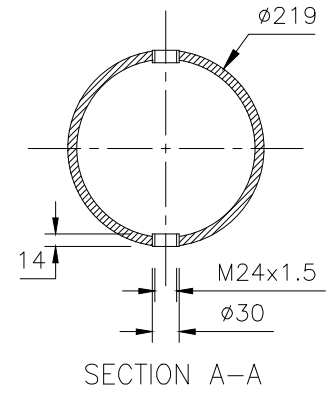


Unit: mm



ELEVATION
N.T.S.

A (m)	B (mm)	C (mm)	D (mm)	E (mm)	F (mm)	G (mm)	H (mm)
5.1	3720	N/A	N/A	1500	1100	2200	2600
10.0	7000	4850	6000	1500	1500	2600	3000

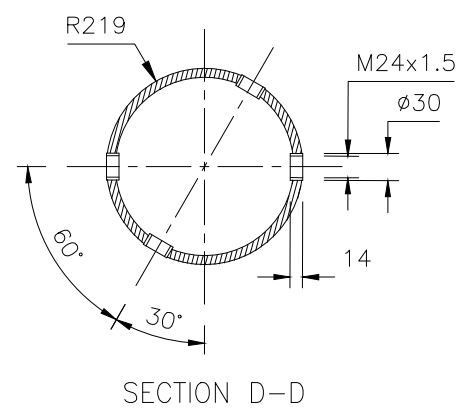
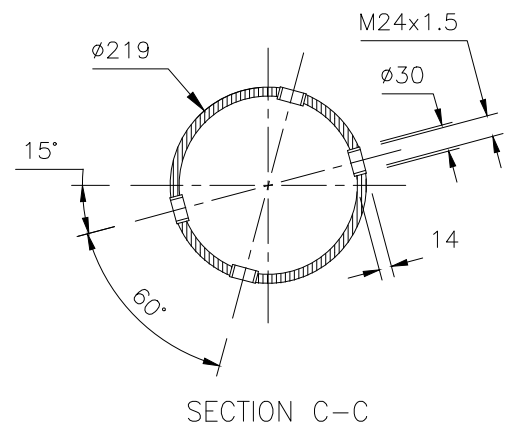
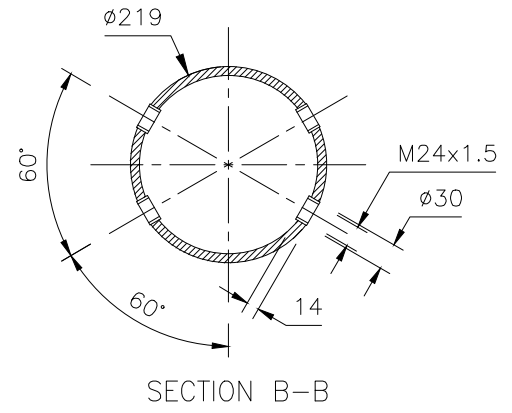
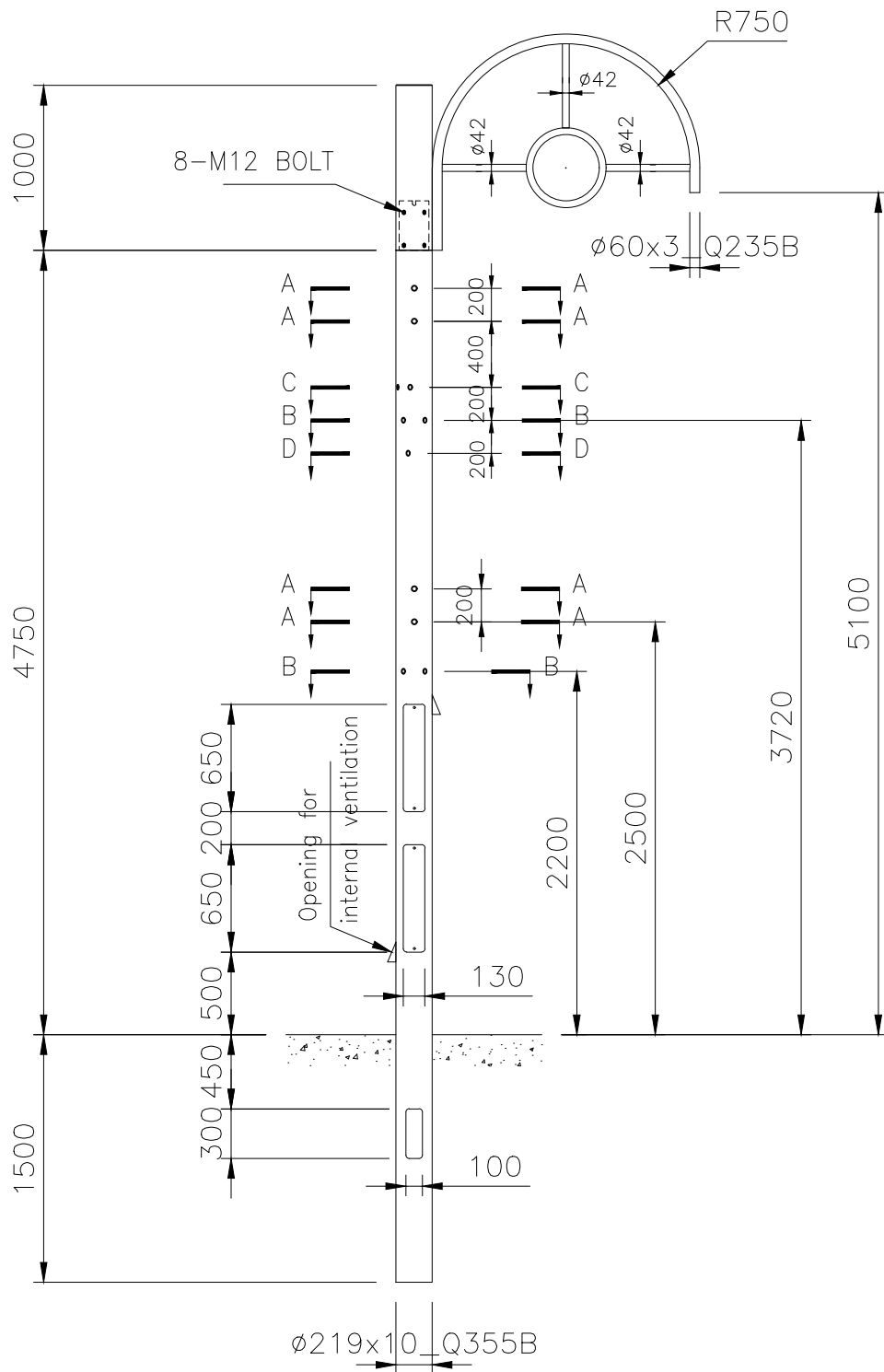
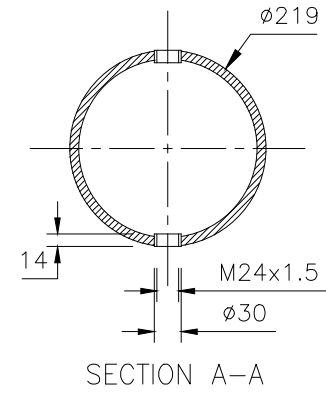


HOT DIP GALVANIZED AND PAINTED

DIMON
Technology

DIMON Technology Ltd.
Tel:00852-3916 5876
Fax:00852-21203398
Http://www.dimontechnology.com
E-mail:gary@dimontechnology.com

		CLIENT					
		TITLE	5.1m column				
		DRAWN	WEN	2022.05.30	MATERIAL		MANUFACTURING ORDER
		ENGR			THK(mm)		
		CHECKED			WT(kg)		
REV ID	DATE	REVISION DESCRIPTION	SPECIFICATIONS		SCALE		P/N:QD211845-ST051-FP

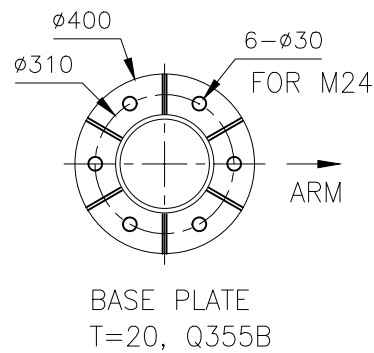
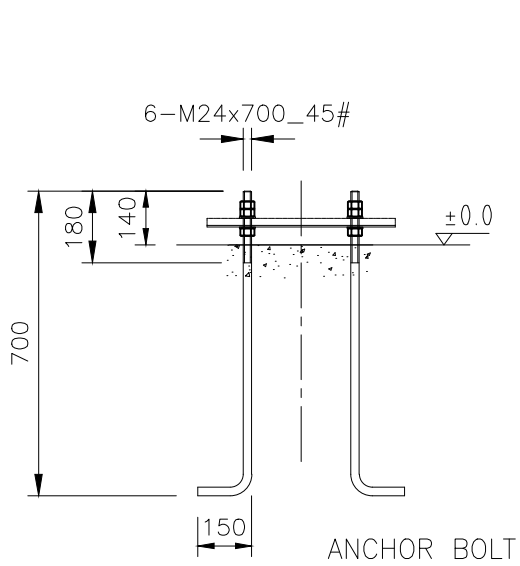
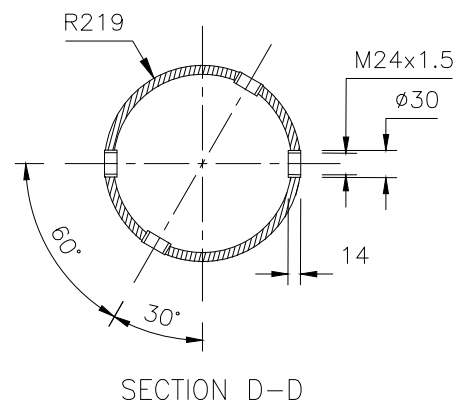
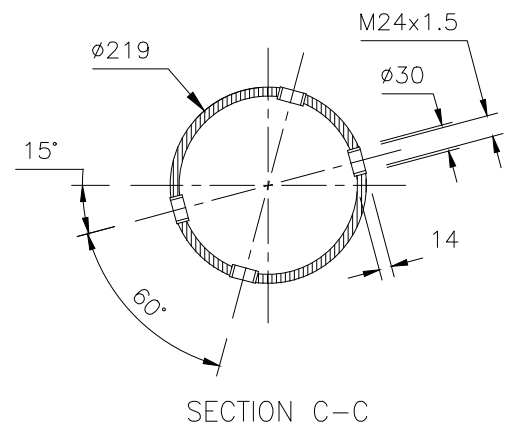
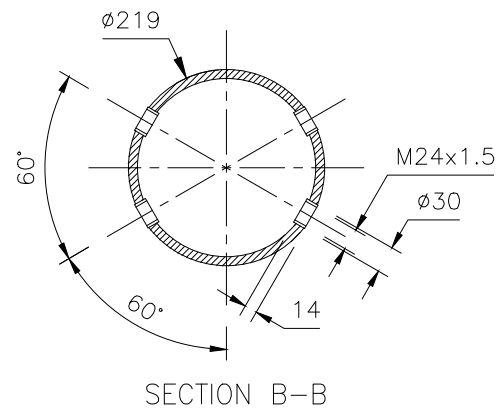
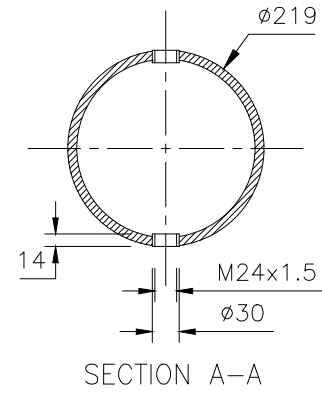
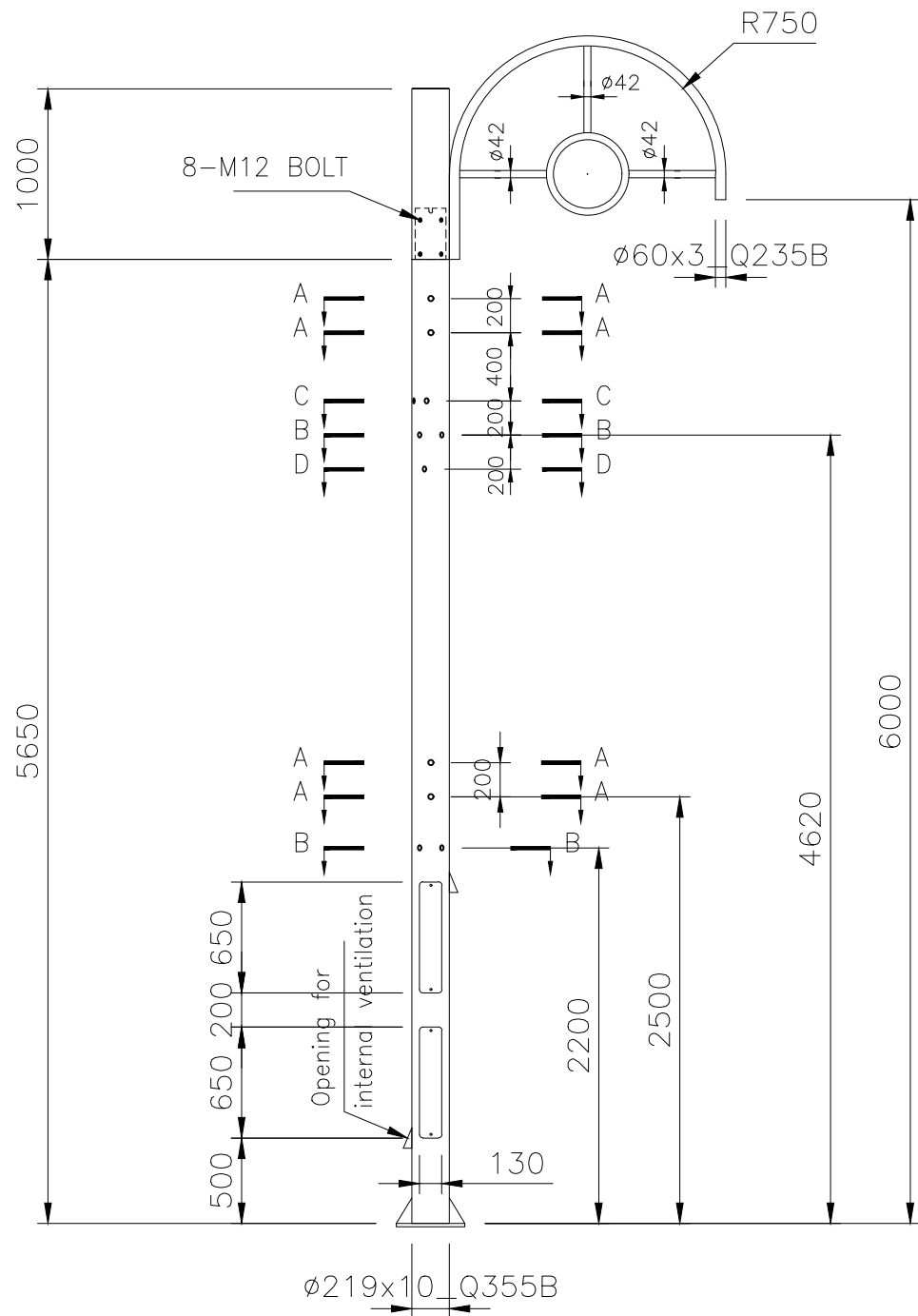


HOT DIP GALVANIZED AND PAINTED

DIMON
Technology

DIMON Technology Ltd.
Tel:00852-3916 5876
Fax:00852-21203398
Http://www.dimontechnology.com
E-mail:gary@dimontechnology.com

		CLIENT					
		TITLE		5.1m column			
		DRAWN	WEN	2022.05.24	MATERIAL		MANUFACTURING ORDER
		ENGR			THK(mm)		
A		CHECKED			WT(kg)		
REV ID	DATE	REVISION DESCRIPTION		SPECIFICATIONS	SCALE	P/N:QD211845-ST051-R0	

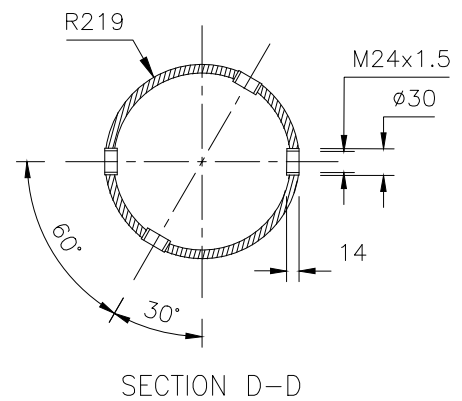
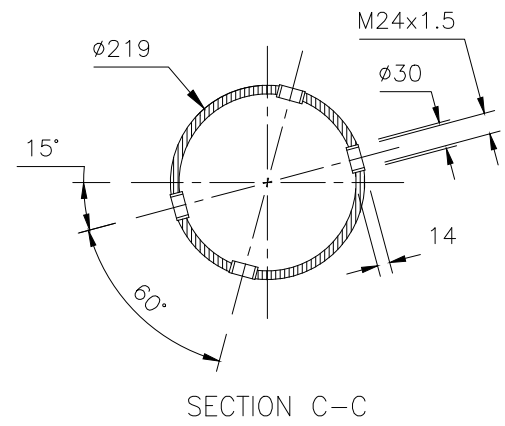
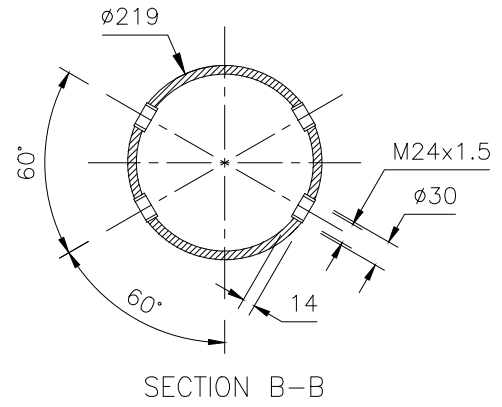
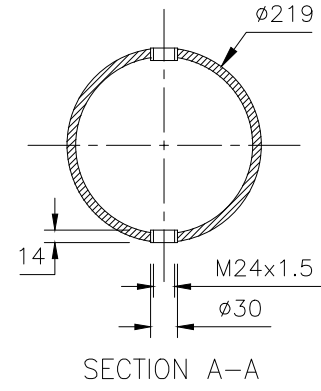
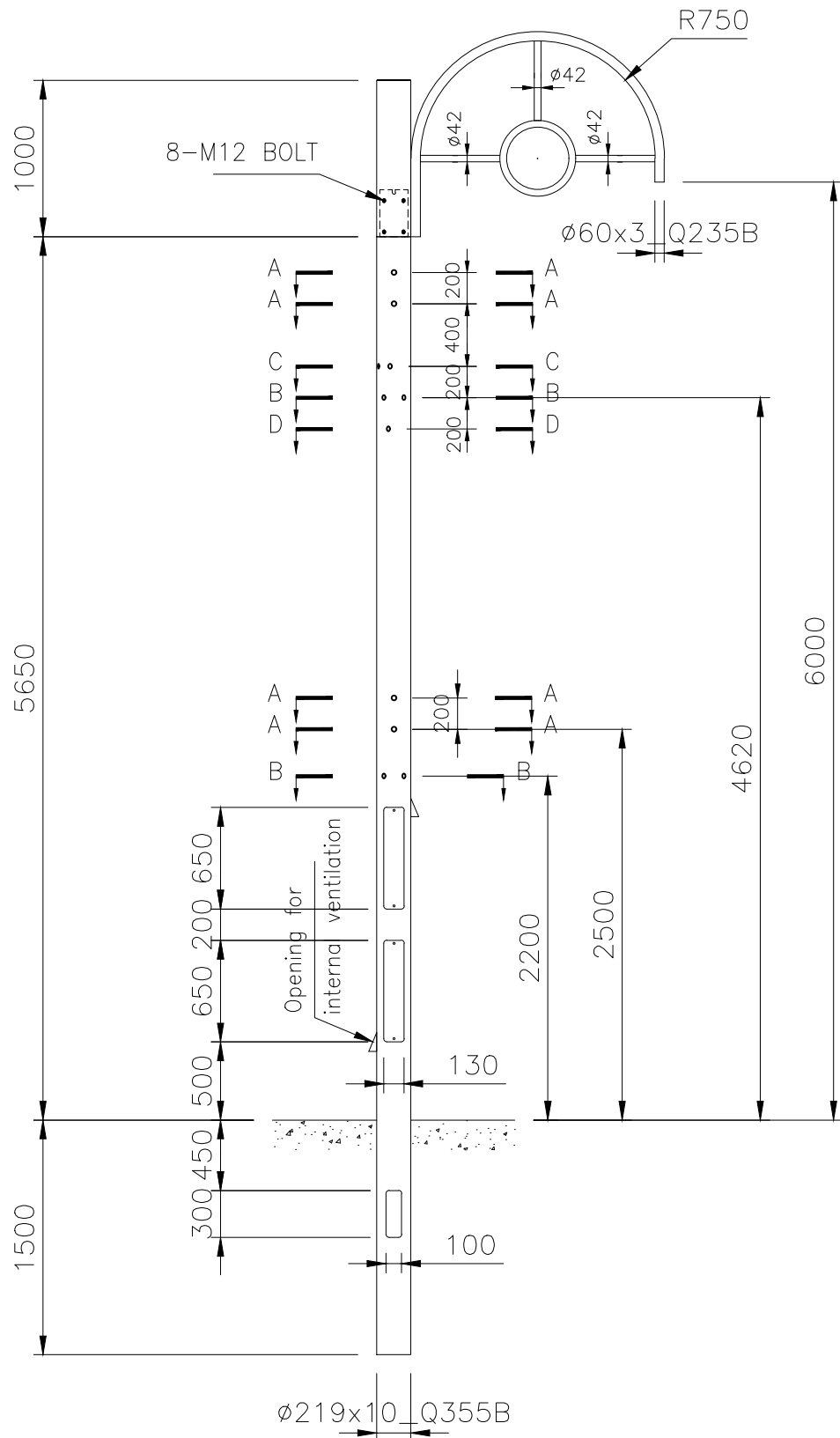


HOT DIP GALVANIZED AND PAINTED

DIMON
Technology

DIMON Technology Ltd.
Tel:00852-3916 5876
Fax:00852-21203398
Http://www.dimontechnology.com
E-mail:gary@dimontechnology.com

REV ID		DATE	REVISION DESCRIPTION	CLIENT TITLE	6.0m column		
			DRAWN	WEN	2022.05.30	MATERIAL	MANUFACTURING ORDER
			ENGR			THK(mm)	
			CHECKED			WT(kg)	
			SPECIFICATIONS			SCALE	P/N:QD211845-ST060-FP

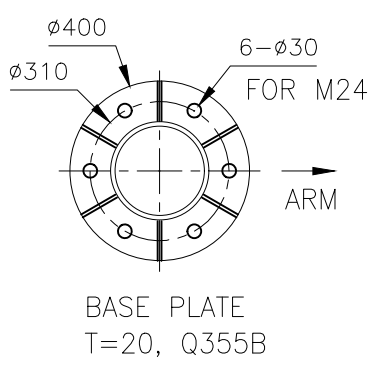
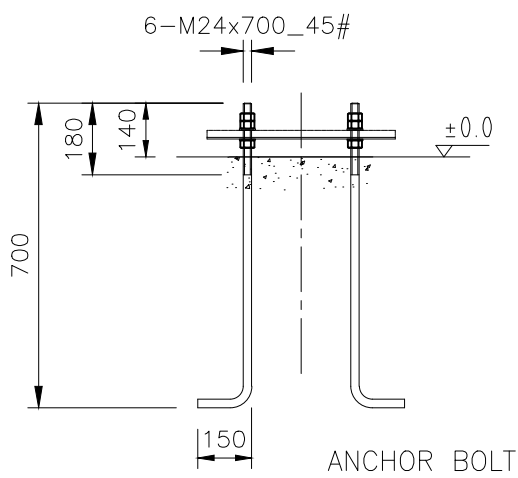
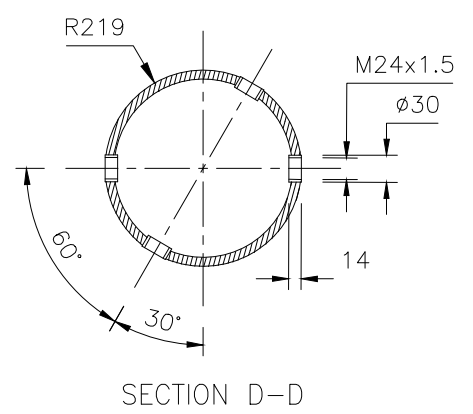
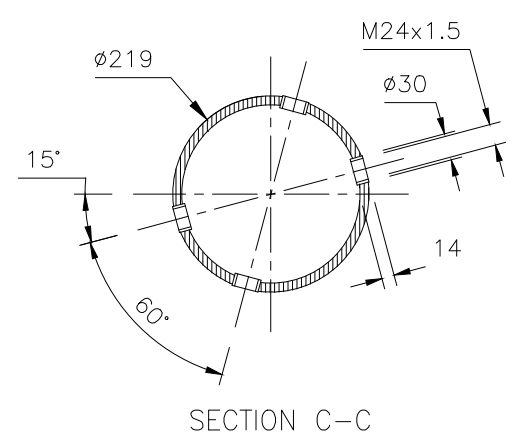
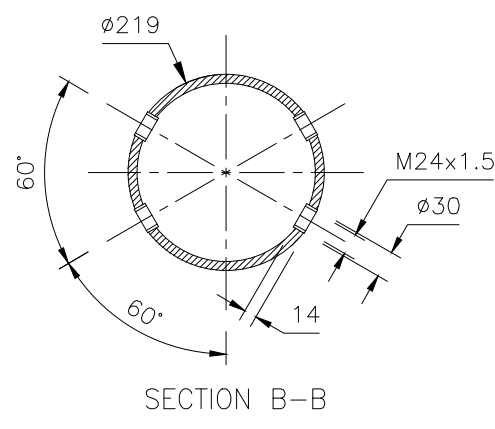
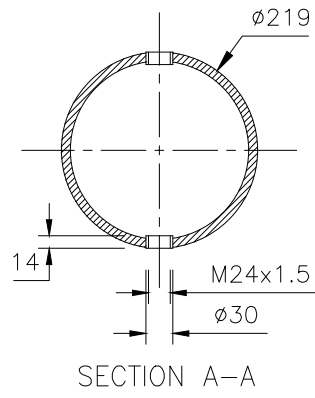
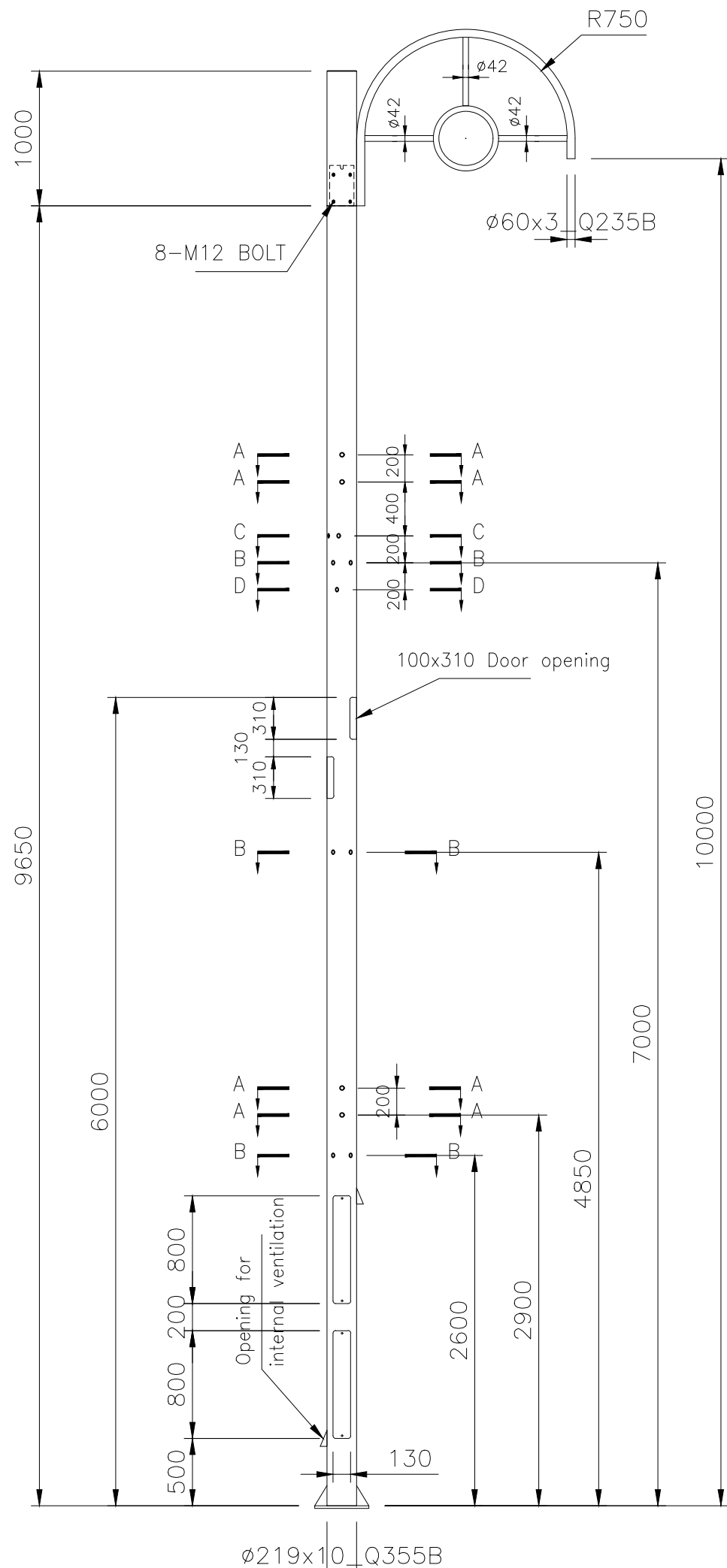


HOT DIP GALVANIZED AND PAINTED

DIMON
Technology

DIMON Technology Ltd.
Tel:00852-3916 5876
Fax:00852-21203398
Http://www.dimontechnology.com
E-mail:gary@dimontechnology.com

		CLIENT				
		TITLE	6.0m column			
		DRAWN	WEN	2022.05.24	MATERIAL	MANUFACTURING ORDER
		ENGR			THK(mm)	
A		CHECKED			WT(kg)	
REV ID	DATE	REVISION DESCRIPTION	SPECIFICATIONS		SCALE	P/N:QD211845-ST060-RD

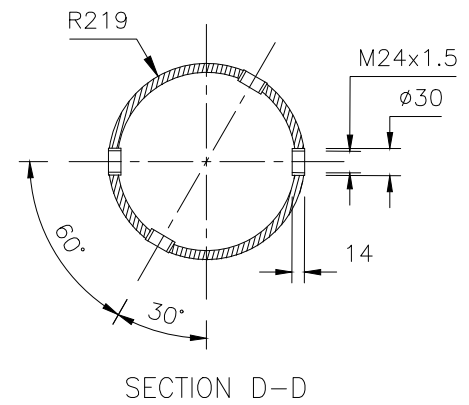
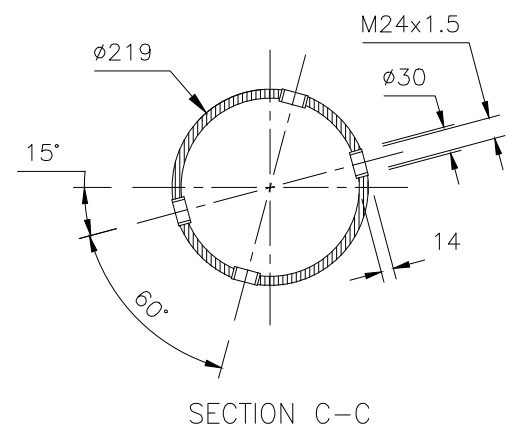
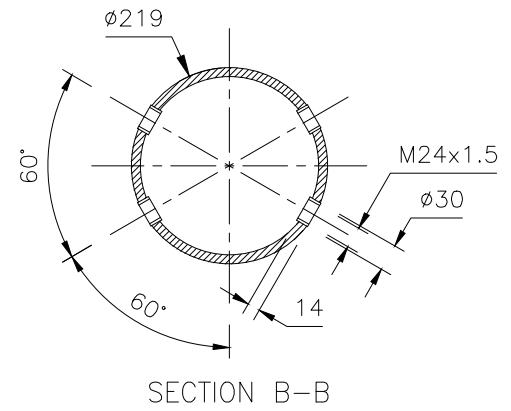
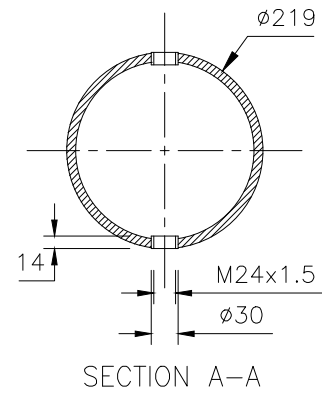
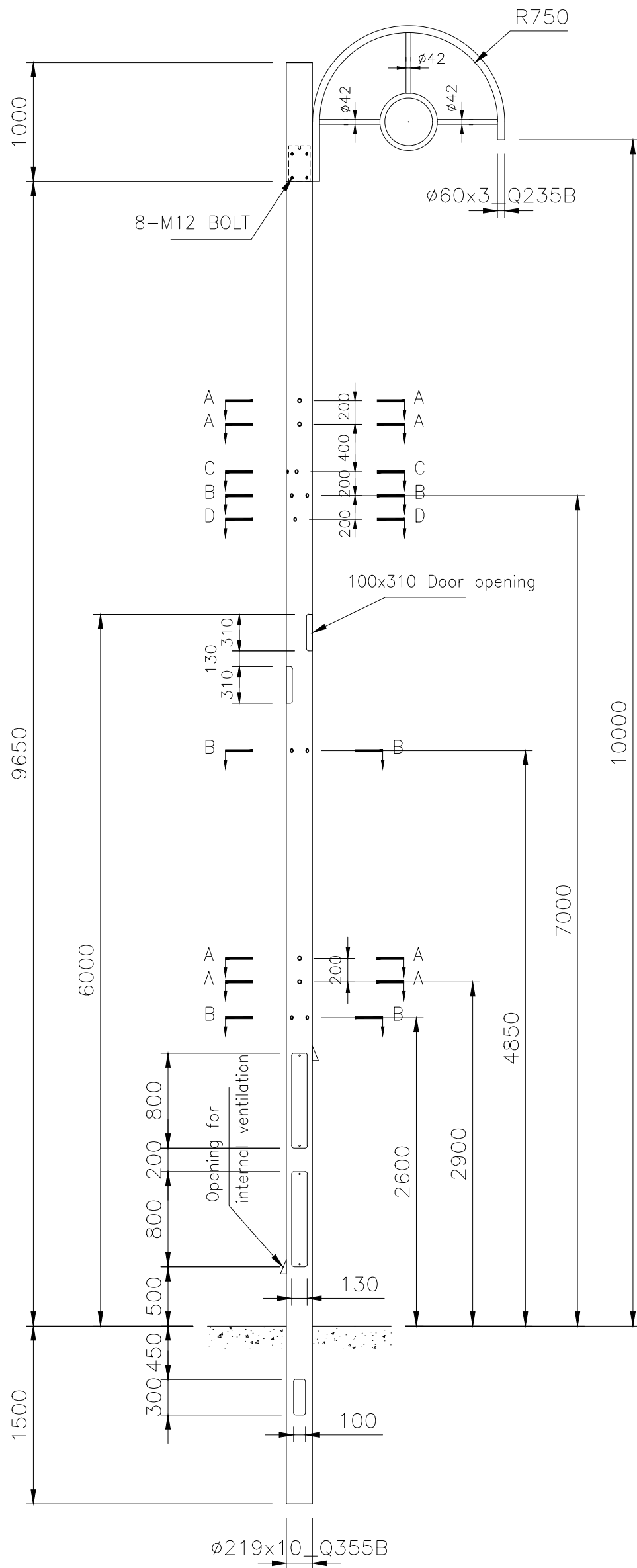


HOT DIP GALVANIZED AND PAINTED

DIMON
Technology

DIMON Technology Ltd.
Tel:00852-3916 5876
Fax:00852-21203398
Http://www.dimontechnology.com
E-mail:gary@dimontechnology.com

		CLIENT				
		TITLE		10.0m column		
		DRAWN	WEN	2022.05.30	MATERIAL	MANUFACTURING ORDER
		ENGR			THK(mm)	
A		CHECKED			WT(kg)	
REV ID	DATE	REVISION DESCRIPTION		SPECIFICATIONS	SCALE	P/N:QD211845-ST100-FP



HOT DIP GALVANIZED AND PAINTED

DIMON
Technology

DIMON Technology Ltd.
Tel:00852-3916 5876
Fax:00852-21203398
Http://www.dimontechnology.com
E-mail:gary@dimontechnology.com

		CLIENT					
		TITLE		10.0m column			
		DRAWN	WEN	2022.05.24	MATERIAL		MANUFACTURING ORDER
		ENGR			THK(mm)		
A		CHECKED			WT(kg)		
REV ID	DATE	REVISION DESCRIPTION		SPECIFICATIONS	SCALE		P/N:QD211845-ST100-RD