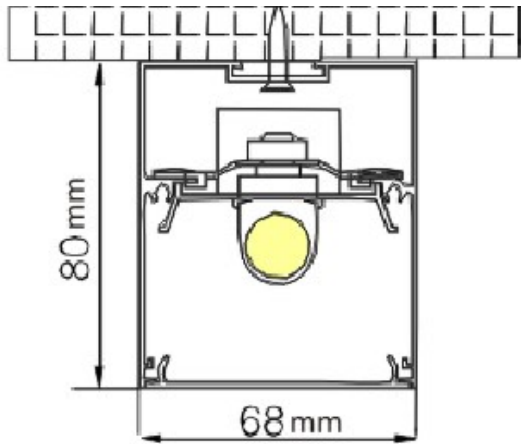


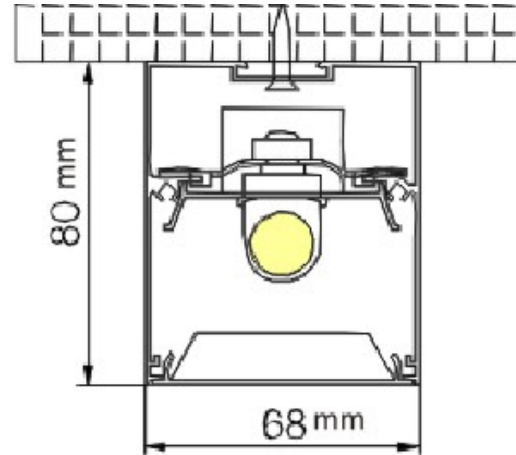
Technical Drawing-Single Tube

Surface mounted

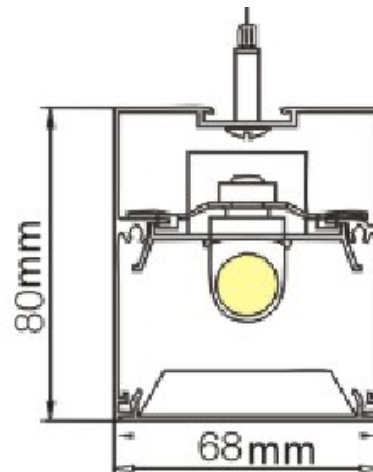
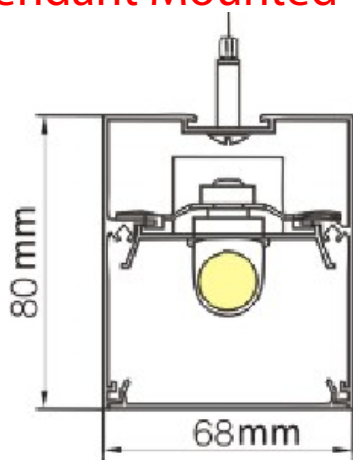
PMMA Type



I-Shape Louver Reflector



Pendant Mounted



Surface Type-T5
L x W x H (mm)

600x68x80

900x68x80

1200x68x80

1500x68x80

suspension kit

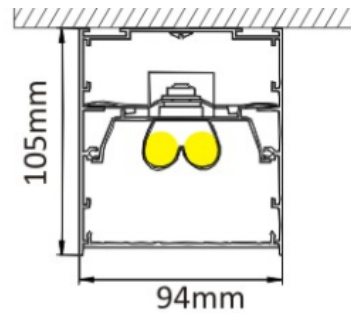


Square power entry canopy

Technical Drawing-Twin Tube

Surface mounted

PMMA Type



Surface Type-T5
L x W x H (mm)

600x94x105

900x94x105

1200x94x105

1500x94x105