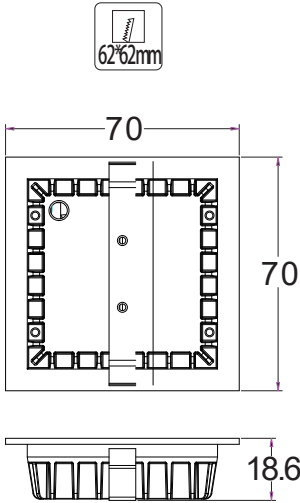
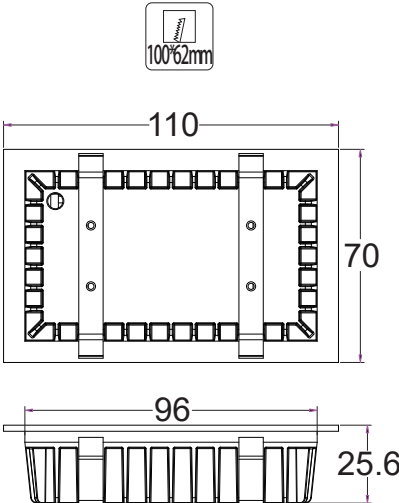


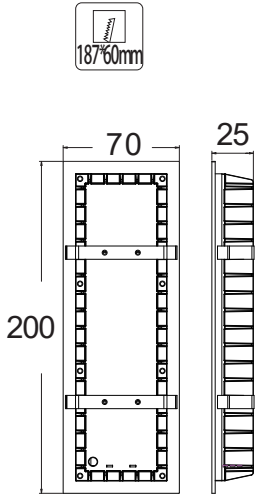
Technical Drawing



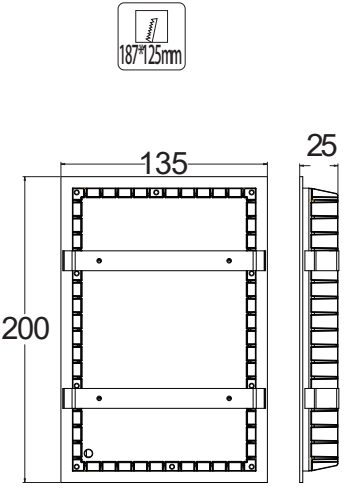
Tyep A



Tyep B



Tyep C



Tyep D

Unit: mm