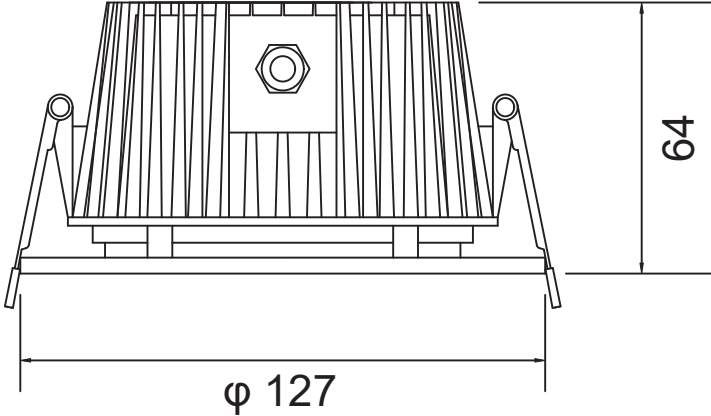
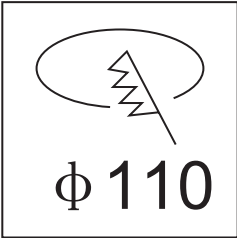
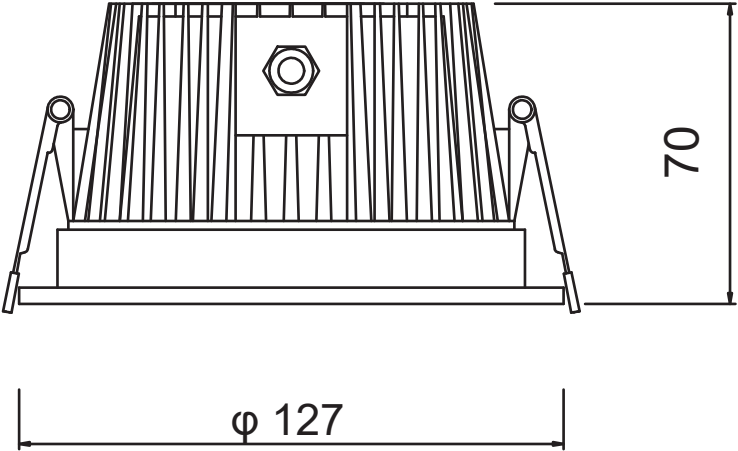


Technical Drawing

Stainless steel cover



Aluminum cover



Unit: mm