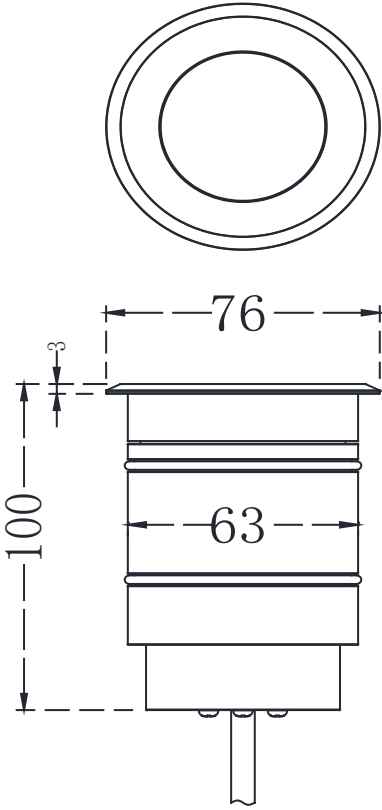
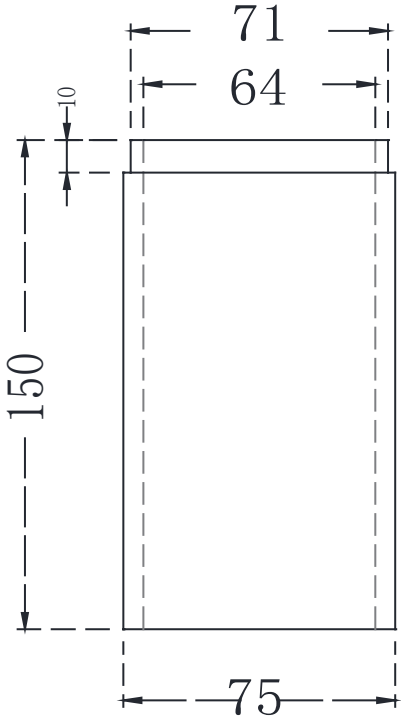
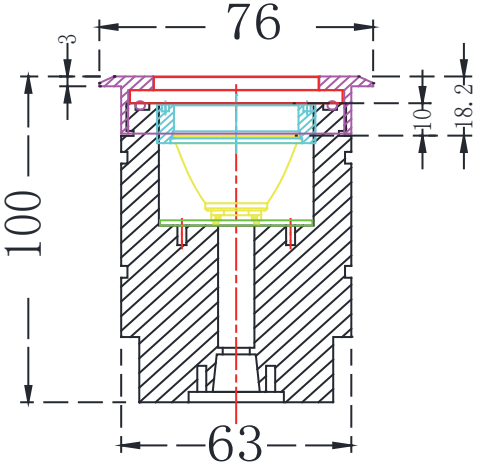


Technical Drawing

Type A



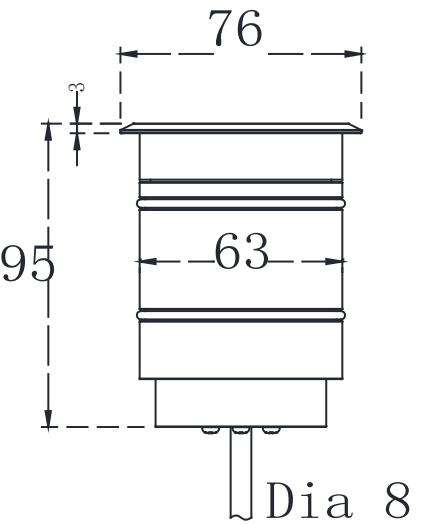
Dia 76 x H: 100mm



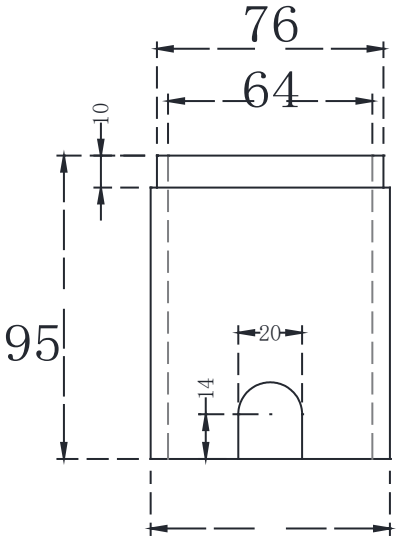
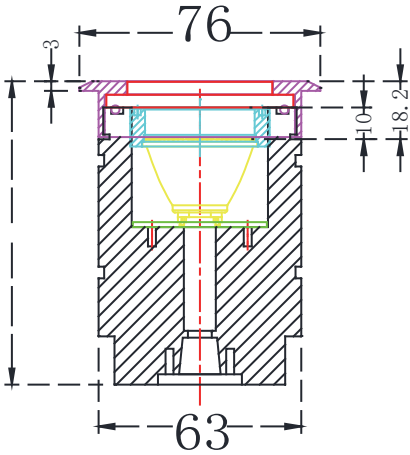
Embedded parts
Cut off: Dia 75x H: 150mm

Unit: mm

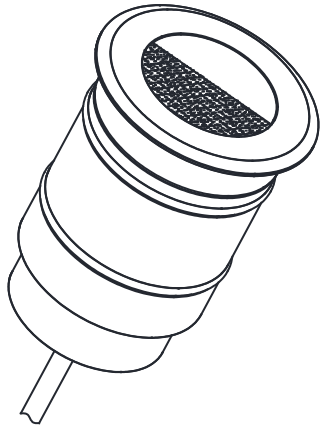
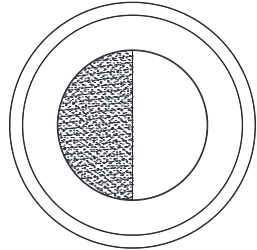
Accessories:
Half Moon Black Coating Glass for Anti Glare



Dia 76 x H: 95mm



Embedded parts
Cut off: Dia 75x H: 95mm

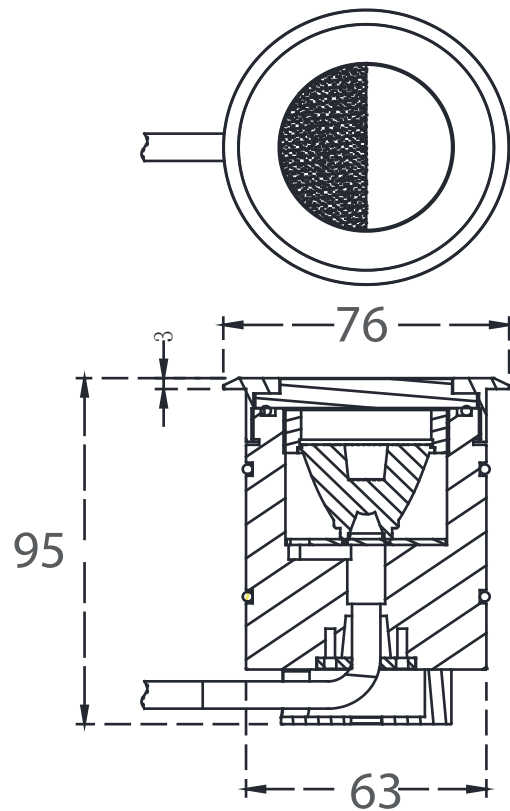


Unit: mm

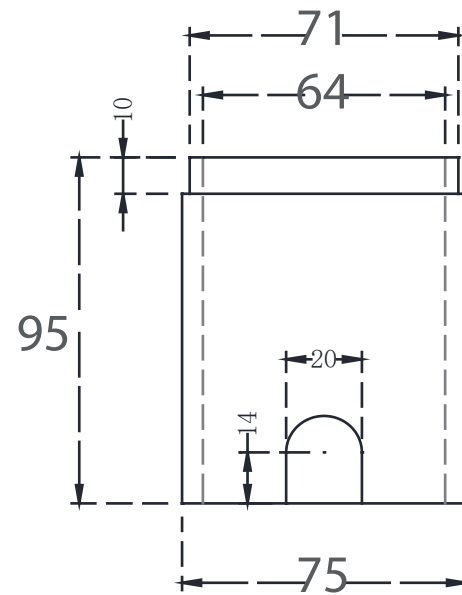
Technical Drawing

Type C

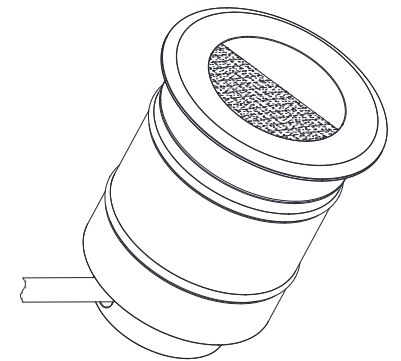
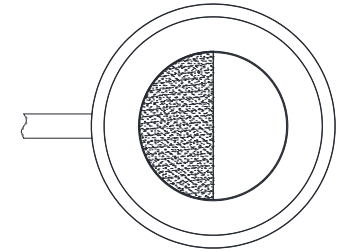
Accessories:
Half Moon Black Coating Glass for Anti Glare



Dia 76 x H: 95mm



Embedded parts
Cut off: Dia 75x H: 95mm



Unit: mm