

RF-DMX512 Master

Model No.: XC-D

1-5 Color/1-4-8 Zone/Max 512 channel/Wireless remote control/Stand-alone function/Numeric display/Din Rail



CE RoHS EMC LVD

Features

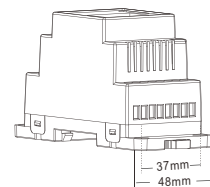
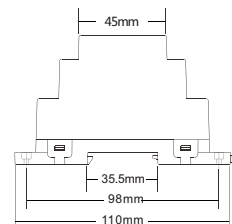
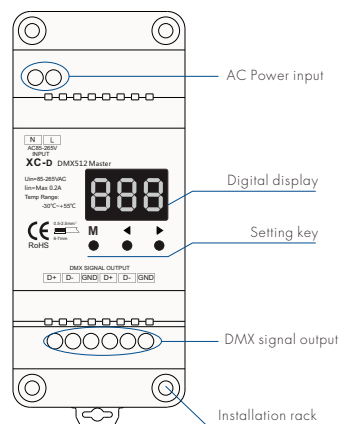
- 1/4/8 zones 1-5 colors DMX512 master with digital display, can work as stand-alone mode or RF mode.
- DMX signal output, comply to standard protocol DMX512, compatible with DMX decoder from any supplier.
- Under stand-alone mode(no need remote), can be set as 1/4/8 zones single color, dual color, RGB, RGB+W, RGB+CCT light type by key.
- Under RF mode, full compatibility with a variety of 1/4/8 zones single color dimming, dual color, RGB/RGBW or RGB+CCT remote.
- Digital numeric display, simple to change mode, speed, brightness or color temperature.
- For RGB type, built in 30 mode, include static color, jump, flash or gradual change style.
- For multi-pixel RGB type, built in 32 mode, include horse-race, chase, flow, trail or gradual change style.

Technical Parameters

Input	
Input voltage	85-265VAC
Power consumption	Max 1W
Input signal	RF 2.4GHz
Output (DMX512 channel number)	
1/4/8 Zone Dimmer	1/4/8
1/4/8 Zone Dual color	2/8/16
1/4/8 Zone RGB	3/12/24
1/4/8 Zone RGB+W	4/16/32
1/4/8 Zone RGB+CCT	5/20/40
Multi-pixel RGB	510
Multi-pixel RGB+W	512
Multi-pixel RGB+CCT	510

Safety and EMC	
EMC standard (EMC)	EN55032:2015, EN61000-3-2:2014, EN61000-3-2:2013, EN55024 :2010/A1:2015
	Safety standard(LVD)
	EN 61347-1:2015 EN 61347-2-11:2015
Certification	CE,EMC,LVD
Environment	
Operation temperature	Ta:-30°C ~ +55°C
Case temperature (Max.)	Tc:+85°C
IP rating	IP20
Warranty and Protection	
Warranty	5 years

Mechanical Structures and Installations



Operation

Light type and other parameter setting

- Long press M and ◀ key for 2s, prepare for setup system parameter: light type, automatic blank screen. short press M key to switch two item.
- Light type: short press ◀ or ▶ key to switch eighteen kinds light type:
1 zone dimmer (*1-1*), 4 zone dimmer (*1-4*), 8 zone dimmer (*1-8*),
1 zone color temperature (*2-1*), 4 zone color temperature (*2-4*), 8 zone color temperature (*2-8*),
1 zone RGB (*3-1*), 4 zone RGB (*3-4*), 8 zone RGB (*3-8*), multi-pixel RGB (*3-F*),
1 zone RGB+W (*4-1*), 4 zone RGB+W (*4-4*), 8 zone RGB+W (*4-8*), multi-pixel RGB+W (*4-F*),
1 zone RGB+CCT (*5-1*), 4 zone RGB+CCT (*5-4*), 8 zone RGB+CCT (*5-8*),
multi-pixel RGB+CCT (*5-F*).
- Automatic blank screen: short press ◀ or ▶ key to switch enable ("bon") or disable ("boF") automatic blank screen.
- Long press M key for 2s or timeout 10s, quit system parameter setting.

1 zone dimmer DMX master

- One channel output, realize synchronous dimming.
- Short press M key to switch coarse dimming and fine dimming.
- Coarse dimming: short press ◀ or ▶ key to adjust 10 levels brightness (b-1, b-9, b-F).
- Fine dimming: short press ◀ or ▶ key to adjust 256 levels brightness (b01 ~bFF).

4/8 zone dimmer DMX master

- 4/8 channel output, realize 4/8 channel individual dimming.
- Short press M key, switch static adjustable mode (P-H) and four dynamic mode (P-1~P-4).
- When run static adjustable mode, can adjust 4/8 channel brightness respectively. Short press M key switch 4/8 channel dimming (100~1FF, 200~2FF, ..., 800~8FF), press ◀ or ▶ key adjust each channel brightness.
- When run four dynamic mode, can adjust each mode speed and brightness. Short press M key to switch speed and brightness item. Press ◀ or ▶ key adjust dynamic mode speed or brightness. Mode speed: 1-10 level speed (S-1, S-9, S-F). Mode brightness: 1-10 level brightness (b-1, b-9, b-F).

4/8 zone dimmer dynamic mode list

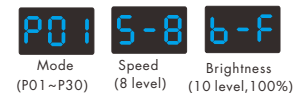
No.	Name
P-1	4/8ch light on and off in sequence
P-2	4/8ch single light on in sequence
P-3	4/8ch light fadein and fadeout synchronously
P-4	4/8ch light fadein and fadeout in sequence

1/4/8 zone dual color temperature DMX master

- 2/8/16 channel output, realize 1/4/8 zone dual color(WW and CW) dimming.
- For 1 zone type, short press M key to switch color temperature or brightness adjustment.
- Press ◀ or ▶ key to setup value of each item.
- Color temperature: 2700-6500K, display *270*~*650*, short press 11 levels, long press 256 levels.
- Brightness: 1-10 level brightness (b-1, b-9, b-F).
- For 4/8 zone type, short press M key to change zone, display *-X-*, X is zone number. long press M key enter brightness adjustment.

1/4/8 zone RGB/RGB+W/RGB+CCT DMX master

- 3/12/24 channel output for 1/4/8 zone RGB, 4/16/32 channel output for 1/4/8 zone RGB+W, 5/20/40 channel output for 1/4/8 zone RGB+CCT.
- Short press M key, switch static adjustable mode (P-H) and 30 change mode (P01 ~P30).
- When run static adjustable mode, can adjust 3/4/5 channel brightness respectively. Short press M key switch 3/4/5 channel dimming (100~1FF, 200~2FF, 300~3FF, 400~4FF, 500~5FF), press ◀ or ▶ key adjust each channel brightness.
- When run 30 change mode, can adjust each mode speed and brightness. Short press M key to switch speed and brightness item. Press ◀ or ▶ key adjust each mode speed or brightness. Mode speed: 1-10 level speed (S-1, S-9, S-F). Mode brightness: 1-10 level brightness (b-1, b-9, b-F).
- For 4/8 zone type, short press M key to change zone, display *-X-*, X is zone number. long press M key enter speed or brightness adjustment.



RGB change mode list

No.	Name	No.	Name	No.	Name
1	Static red	11	Green strobe	21	Red yellow smooth
2	Static green	12	Blue strobe	22	Green cyan smooth
3	Static blue	13	White strobe	23	Blue purple smooth
4	Static yellow	14	RGB strobe	24	Blue white smooth
5	Static cyan	15	7 color strobe	25	RGB+W smooth
6	Static purple	16	Red fade in and out	26	RGBW smooth
7	Static white	17	Green fade in and out	27	RGBY smooth
8	RGB jump	18	Blue fade in and out	28	Yellow cyan purple smooth
9	7 color jump	19	White fade in and out	29	RGB smooth
10	Red strobe	20	RGBW fade in and out	30	6 color smooth

Multi-pixel RGB/RGB+W/RGB+CCT DMX master

- 510/512 channel output, realize multi-pixel RGB color move change effect,
- Short press M key, switch static adjustable mode (P-H) and 32 change mode (PO1~P32).
- When run static adjustable mode, can adjust 3/4/5 channel brightness respectively.
Short press M key switch 3/4/5 channel dimming (100~1FF, 200~2FF, 300~3FF, 400~4FF, 500~5FF), press ◀ or ▶ key adjust each channel brightness.
- When run 32 change mode, can adjust each mode speed and brightness.
Short press M key to switch speed and brightness item.
Press ◀ or ▶ key adjust each mode speed or brightness.
Mode speed: 1-10 level speed (S-1, S-9, S-F).
Mode brightness: 1-10 level brightness (b-1, b-9, b-F).

Multi-pixel RGB change mode list

No.	Name	No.	Name	No.	Name
1	Red horse race white ground	12	Blue White chase	23	Purple float
2	Green horse race white ground	13	Green Cyan chase	24	RGBW float
3	Blue horse race white ground	14	RGB chase	25	Red Yellow float
4	Yellow horse race blue ground	15	7 color chase	26	Green Cyan float
5	Cyan horse race blue ground	16	Blue meteor	27	Blue Purple float
6	Purple horse race blue ground	17	Purple meteor	28	Blue White float
7	7 color multi horse race	18	White meteor	29	6 color float
8	7 color horse race close + open	19	7 color meteor	30	6 color smooth sectionally
9	7 color multi horse race close + open	20	Red float	31	7 color jump sectionally
10	7 color scan close + open	21	Green float	32	7 color strobe sectionally
11	7 color multi-scan close + open	22	Blue float		

Match RF remote

XC-D DMX512 master can match the same zone and light type RF remote optional.

- Match: Long press M and ▶ key for 2s, display RLS, within 5s, press any key of the remote, display RLO, match is done, then use RF remote to change mode number, adjust speed and brightness.
- Delete: Long press M and ▶ key for 5s, until display RLE, delete all matched remote.

Restore factory default parameter

- Long press ◀ and ▶ key for 2s, restore factory default parameter, display *RES*.
- Factory default parameter: multi-pixel RGB type, disable automatic blank screen.

Light type DMX channel address assignment table

Light type	Single color	Dual color	RGB	RGB+W	RGB+CCT
1 Zone	W: 1	WW,CW: 1,2	R,G,B: 1,2,3	R,G,B,W: 1,2,3,4	R,G,B,WW,CW: 1,2,3,4,5
4 Zone	Zone W 1 1 2 2 3 3 4 4	Zone WW CW 1 1 2 2 3 4 3 5 6 4 7 8	Zone R G B 1 1 2 3 2 4 5 6 3 7 8 9 4 10 11 12	Zone R G B W 1 1 2 3 4 2 5 6 7 8 3 9 10 11 12 4 13 14 15 16	Zone R G B WW CW 1 1 2 3 4 5 2 6 7 8 9 10 3 11 12 13 14 15 4 16 17 18 19 20
8 Zone	Zone W 1 1 2 2 3 3 4 4 5 5 6 6 7 7 8 8	Zone WW CW 1 1 2 2 3 4 3 5 6 4 7 8 5 9 10 6 11 12 7 13 14 8 15 16	Zone R G B 1 1 2 3 2 4 5 6 3 7 8 9 4 10 11 12 5 13 14 15 6 16 17 18 7 19 20 21 8 22 23 24	Zone R G B W 1 1 2 3 4 2 5 6 7 8 3 9 10 11 12 4 13 14 15 16 5 17 18 19 20 6 21 22 23 24 7 25 26 27 28 8 29 30 31 32	Zone R G B WW CW 1 1 2 3 4 5 2 6 7 8 9 10 3 11 12 13 14 15 4 16 17 18 19 20 5 21 22 23 24 25 6 26 27 28 29 30 7 31 32 33 34 35 8 36 37 38 39 40
Multi-Pixel			Pixel R G B 1 1 2 3 2 4 5 6 3 7 8 9 ...	Pixel R G B W 1 1 2 3 4 2 5 6 7 8 3 9 10 11 12 ...	Pixel R G B WW NW 1 1 2 3 4 5 2 6 7 8 9 10 3 11 12 13 14 15 ...
			170 508 509 510	128 509 510 511 512	102 506 507 508 509 510

Malfunctions analysis & troubleshooting

Malfunctions	Causes	Troubleshooting
No light	1. No power. 2. Wrong connection or insecure.	1. Check the power. 2. Check the connection.
Wrong color	1. DMX decoder first address error. 2. Wrong connection of R/G/B/W wires.	1. Check the DMX first address. 2. Reconnect R/G/B/W wires.
No response from the remote	1. The battery has no power. 2. Beyond controllable distance. 3. The controller did not match the remote.	1. Replace battery. 2. Reduce remote distance. 3. Re-match the remote.

Safety information

- The product shall be installed and serviced by a qualified person.
- The product is non-waterproof. Please avoid the sun and rain.
- Good heat dissipation will prolong the working life of the controller, Please ensure good ventilation.
- If a fault occurs please return the product to your supplier. Do not attempt to fix this product by yourself.