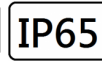


BALONI-SILM

120x40mm Max 7W



Double Side light distribution



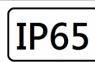





Single Side light distribution



LED BOLLARDS Light with symmetrical or Asymmetrical light distribution.
Die-casting aluminum body with Anti-glare OPAL PC diffuser
Finishing: Polyester powders Coating super resistance to corrosion
Integrated-Type 1-10V, DALI,Driver. ;
IP65 protection rating and IK10 Impact protection

Technical Data

Luminaire Type-安裝方式-Tipo de luminaria	Surface Mounted Type明裝式燈具Superficie Tipo Montado
Dimension-尺寸-Dimensión	<ul style="list-style-type: none"> • W: 120mm x D: 40mm x H: 350mm • W: 120mm x D: 40mm x H: 650mm
Power Consumption Max-燈具功率 Consumo de energía Max	<ul style="list-style-type: none"> • 5W • 7W
Input Voltage-輸入電壓-Voltaje de entrada	AC 220-240V 50/60HZ
LED Driver Type LED驅動款式 Tipo de controlador LED	Integrated-type LED Driver--Refer to LED driver specification 請參閱LED驅動器規格 Consulte la especificación de controlador de LED 1. ON/OFF Switch AC220-240V 50/60HZ 2. 1-10V Dimming Driver AC100-240V 50/60HZ 3. Dali Dimming 0-100% Driver AC100-240V 50/60HZ
LED Driver Features驅動特性 Funciones del controlador de LED	POWER FACTOR : PF>0.9 or PF> 0.95 Refer to LED Driver data sheet TOTAL HARMONIC DISTORTION: THD< 20%
Control Protocol-控制協議 Protocolo de Control	1-10V / Dali
Beam Angle 光束角 ángulo de haz	<ul style="list-style-type: none"> • Symmetrical Beam Angle : Double Side light distribution • Asymmetrical Beam Angle : Single Side light distribution
Light Source Brand-光源品牌-Fuente de luz de marca	CREE
"Lumen Maintenance LM-80 Reported by TM-21"@25 °C	L70(10k) > 63,500 hrs
LED Life-LED壽命-La vida del LED	>60,000 hours
Color Temperature -色溫 Temperatura del color	2700K / 3000K / 4000K / 5000K / 6500K
Color Rendering Index-顯色指數 Índice de reproducción cromática	>80
MacAdam Ellipses Binning 麥克亞當橢圓分級 Mac Adam binning elipse	Standard Deviation Colour Matching < 3 SDCM 標準偏差配色< 3 SDCM Coincidencia de color estándar Desviación < 3 SDCM
Luminaire Efficacy 燈具效率 La eficacia de la luminaria	<ul style="list-style-type: none"> • Symmetrical Beam Angle 50Lm/w(2700K), 50 Lm/w(3000K), 60 Lm/w(4000K), 70 Lm/w(5000K), 70 Lm/w(6500K), • Asymmetrical Beam Angle 30Lm/w(2700K), 30 Lm/w(3000K), 40 Lm/w(4000K), 50 Lm/w(5000K), 50 Lm/w(6500K),
LED Source Luminous Efficacy LED光源光效 Fuente luminosa LED Eficacia	130Lm/w(2700K), 130 Lm/w(3000K), 140Lm/w(4000K), 150 Lm/w(5000K), 150 Lm/w(6500K),
Housing materials-外殼材料 Materiales de la carcasa	Aluminum alloy , Opal PC cover and stainless steel screws 鋁合金, 透明PC蓋和不銹鋼螺絲 Aleación de aluminio, cubierta de PC Opal y tornillos de acero inoxidable
Housing Color 外殼顏色 color de la carcasa	Mechanical and chemical anti-corrosion pre-treatment UV-resistant polyester exterior powder-coating system. 機械和化學防腐預處理使用防紫外線粉末塗料體 Pretratamiento mecánico y químico anticorrosión. Sistema de recubrimiento en polvo exterior de poliéster resistente a los rayos UV. Graphite 石墨黑 Grafito RAL 9005 Gray 灰色 Gris RAL 9006 White 白色Blanco RAL9010
Ingress Protection-防護等級 Protección de ingreso	IP65
Mech impact protection機械衝擊保護 Protección contra impactos mecánico	IK10
Operating Temperature Range / 工作溫度範圍 Rango de temperatura de funcion amiento	-20 °C / +50 °C
Operating Humidity -工作濕度 Humedad de funcionamiento	0~90%, non-condensing-不結霜 sin condensación
Comply Testing Standard符合測試標準 Cumplir el estándar de prueba	LED Luminaries: IEC/EN 60598-1 ; IEC/EN 60598-2-3; IEC62471 ;IEC TR 62778; IEC 62031;RoHS LED Driver: IEC/EN 61347-1; IEC/EN 61347-2-13; IEC/EN 62384; IEC/EN 61000-3-2; IEC/EN 61000-3-3;IEC/EN61574;EN 55015 ; IEC /EN 62384
Certification-認證-Certificación	     

Project	Fixture#	Date
		Firm

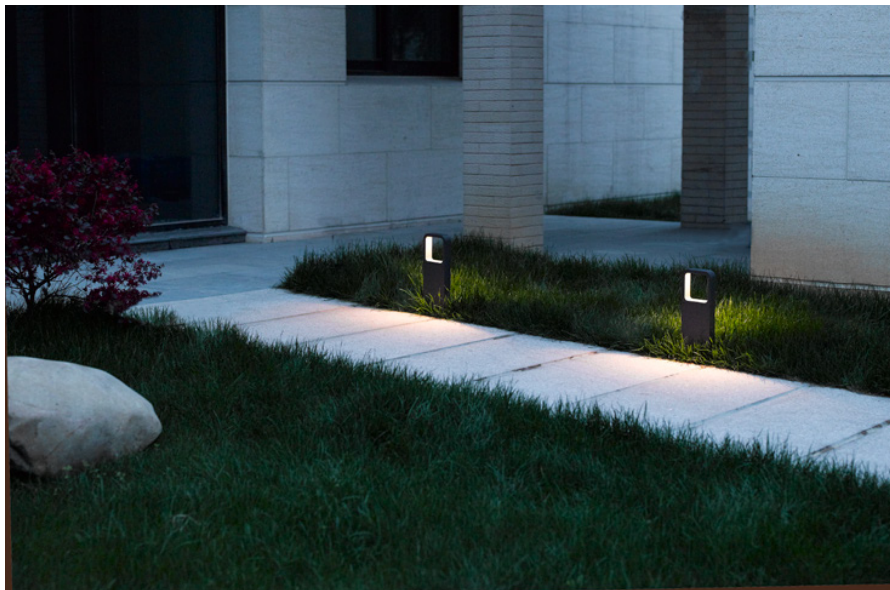
Ordering Information

Choose the option that suits your need and write its corresponding code on the appropriate line to form the product code.

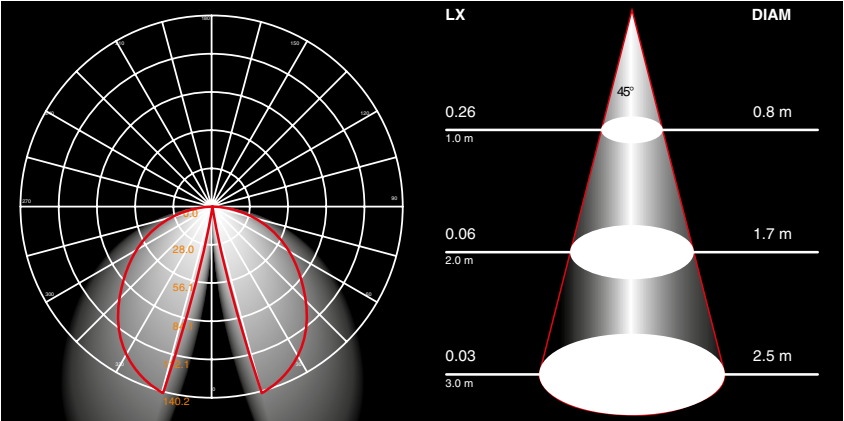
Example product code: [BALONI-5W](#)

BALONI - _____
Power Consumption

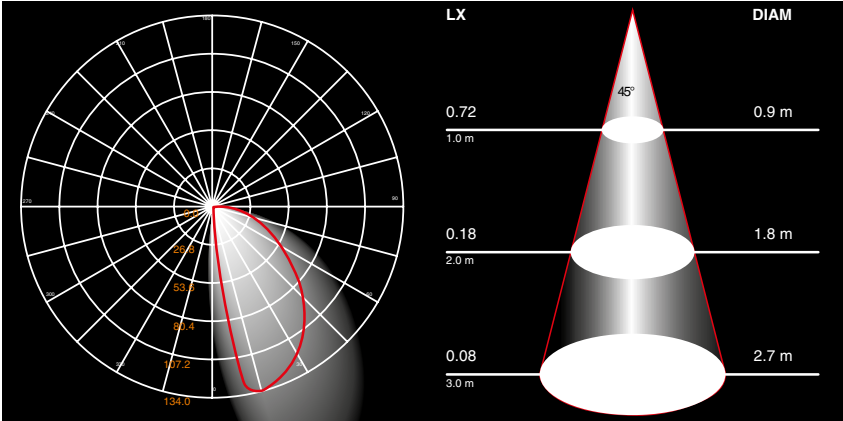
Power Consumption	
Code	Description
5W	5W
7W	7W



BEAM ANGLE

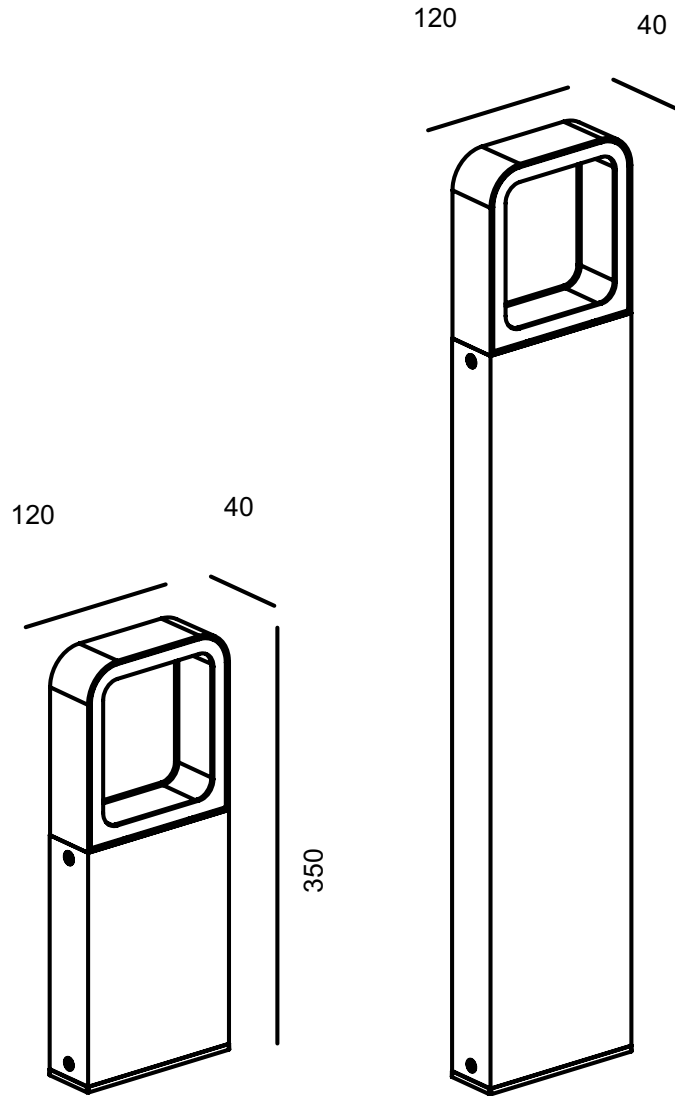


Double Side light distribution

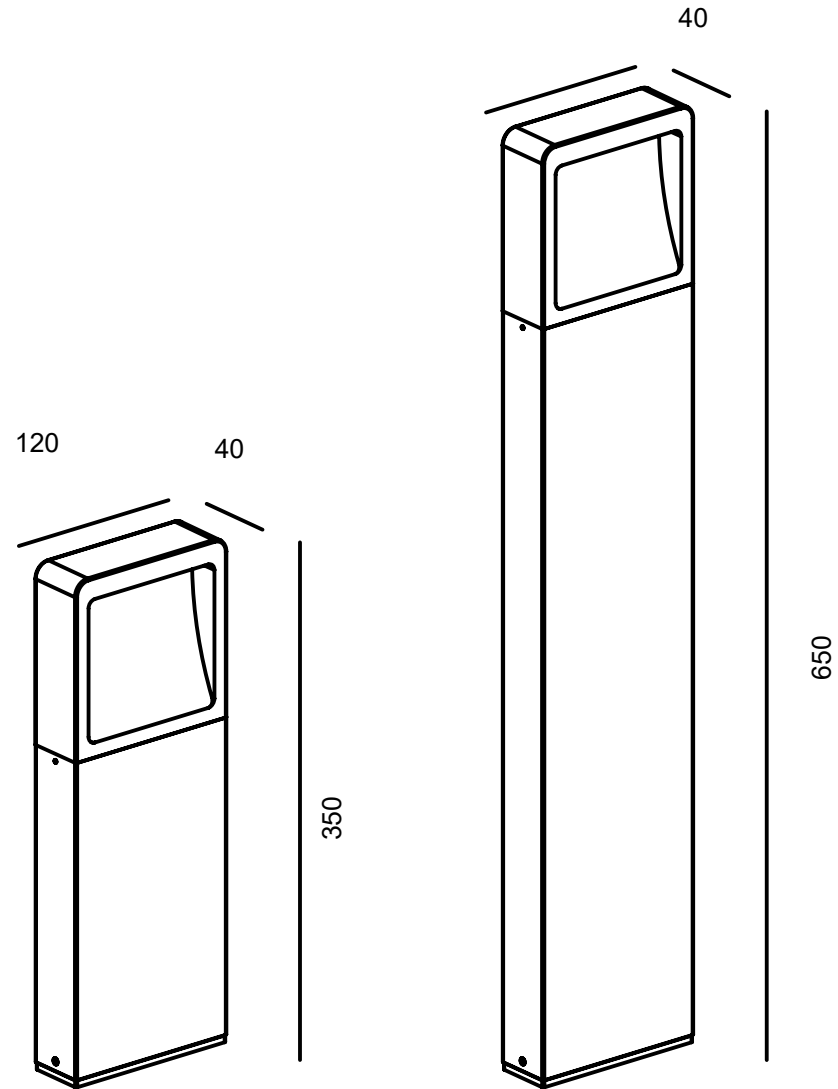


Single Side light distribution

Technical Drawing



Double Side light distribution



Single Side light distribution

Unit: mm