



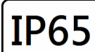





## BEENA

L323xW102mm 5W-20W IP65



- Housing Material: die-cast aluminium with Matte White powder-coated and polyester and high transmission opal polycarbonate with refraction prisms diffuser.
- Silicone-sponge Gasket and vandal resistant Screws
- Anti UV opal polycarbonate diffuser.
- LED module: SMD LEDs with UL 94-V0 Aluminium Circuit Board.
- LED module is worked in two circuit driven by two LED drivers
- Ingress-protected IP65 and Mech impact protection : IK10

## Technical Data

Luminaire Type 安裝方式 Tipo de luminaria	Surface Mounted Type 明裝式燈具 Superficie Tipo Montado Wall mounted or Ceiling Mounted 壁掛式或吸頂式燈具 Montado en la pared o en el techo		
Dimension-尺寸-Dimensión	W:102 x L:323 x H:97mm		
Input Voltage-輸入電壓-Voltaje de entrada	<ul style="list-style-type: none"> <li>• AC100-240V 50/60Hz</li> <li>• DC220V</li> </ul>		
Power Consumption Max-燈具功率 Consumo de energía Max	<ul style="list-style-type: none"> <li>• 5W</li> <li>• 12W</li> </ul>	<ul style="list-style-type: none"> <li>7W</li> <li>16W</li> </ul>	<ul style="list-style-type: none"> <li>10W</li> <li>20W</li> </ul>
LED Driver Type LED 驅動款式 Tipo de controlador LED	<ul style="list-style-type: none"> <li>• Integrated-type TWIN LED Drivers for Two LED circuit</li> <li>• Integrated-type SINGLE LED Drivers for One LED circuit</li> <li>• <b>Integrated-type LED Driver—Refer to LED driver specification</b> 請參閱LED驅動器規格 <b>Consulte la especificación de controlador de LED</b></li> <li>• ON/OFF Switch AC220-240V 50/60HZ</li> <li>• 1-10V Dimming Driver AC220-240V 50/60HZ</li> <li>• Dali Dimming Driver AC220-240V 50/60HZ</li> <li>• ZIGBEE Wireless Control (Remoted Driver ) AC220-240V 50/60HZ</li> <li>• Emergency Backup &gt;2 hours or &gt;3 hours @ &lt; 12 charger hours 應急電池/Copia de seguridad de emergencia</li> </ul>		
LED Driver Features 驅動特性 Funciones del controlador de LED	POWER FACTOR : PF>0.90 @ Full Load TOTAL HARMONIC DISTORTION: THD< 20%		
Beam Angle 光束角 ángulo de haz	120°		
Light Source Brand-光源品牌-Fuente de luz de marca	Osram LED		
LED Life-LED 壽命-La vida del LED	L70(9k) > 54,000 hrs		
Color Temperature -色溫 Temperatura del color	2700K / 3000K / 4000K / 5000K / 6500K		
Color Rendering Index-顯色指數 Índice de reproducción cromática	<ul style="list-style-type: none"> <li>• &gt; 80</li> <li>• &gt; 90</li> </ul>		
Luminaire Efficacy 燈具效率 La eficacia de la luminaria	<ul style="list-style-type: none"> <li>• 120 Lm/w(2700K),</li> <li>• 130 Lm/w(5000K),</li> </ul>	<ul style="list-style-type: none"> <li>120 Lm/w(3000K),</li> <li>130 Lm/w(6500K),</li> </ul>	<ul style="list-style-type: none"> <li>125 Lm/w(4000K),</li> </ul>
LED Source Luminous Efficacy LED 光源光效 Fuente luminosa LED Eficacia	<ul style="list-style-type: none"> <li>• 140 Lm/w(2700K),</li> <li>• 160 Lm/w(5000K),</li> </ul>	<ul style="list-style-type: none"> <li>140 Lm/w(3000K),</li> <li>160 Lm/w(6500K),</li> </ul>	<ul style="list-style-type: none"> <li>150 Lm/w(4000K),</li> </ul>
Housing materials-外殼材料 Materiales de la carcasa	Die-cast aluminium and Opal Polycarbonate Linear-Prisms diffuser 壓鑄鋁和乳白稜鏡擴散PC罩 Aluminio fundido a presión y policarbonato Milky difusor		
Housing Color 外殼顏色 color de la carcasa	Matte white 啞光白色 Blanco mate		
Ingress Protection-防護等級 Protección de ingreso	IP65		
Mech impact protection 機械衝擊保護 Protección contra impactos mecánicos	IK10		
Comply Testing Standard 符合測試標準 Cumplir el estándar de prueba	LED Luminaires: IEC/ EN 60598-1 / EN 60598-2-1 / EN 62031 / EN 62493 / IEC/EN 62471 / IEC 62031 EN 55015 / EN 61000-3-2 / EN 61000-3-3 / EN 61547 IEC TR62778 LED Driver: EN 55015 / EN 61000-3-2 / EN 61347-1 / EN 61347-2-13 / EN 61547 / EN 62384		
Certification-認證-Certificación	       		

Project	Fixture#	Date
		Firm



## Ordering Information

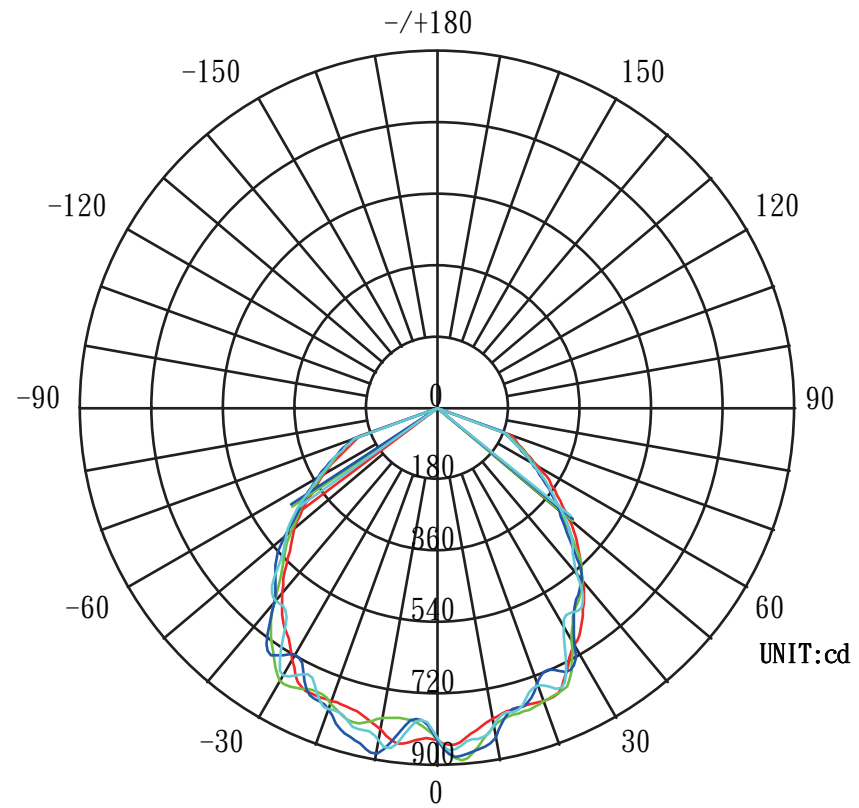
Choose the option that suits your need and write its corresponding code on the appropriate line to form the product code.

Example product code: [BEENA-5W](#)

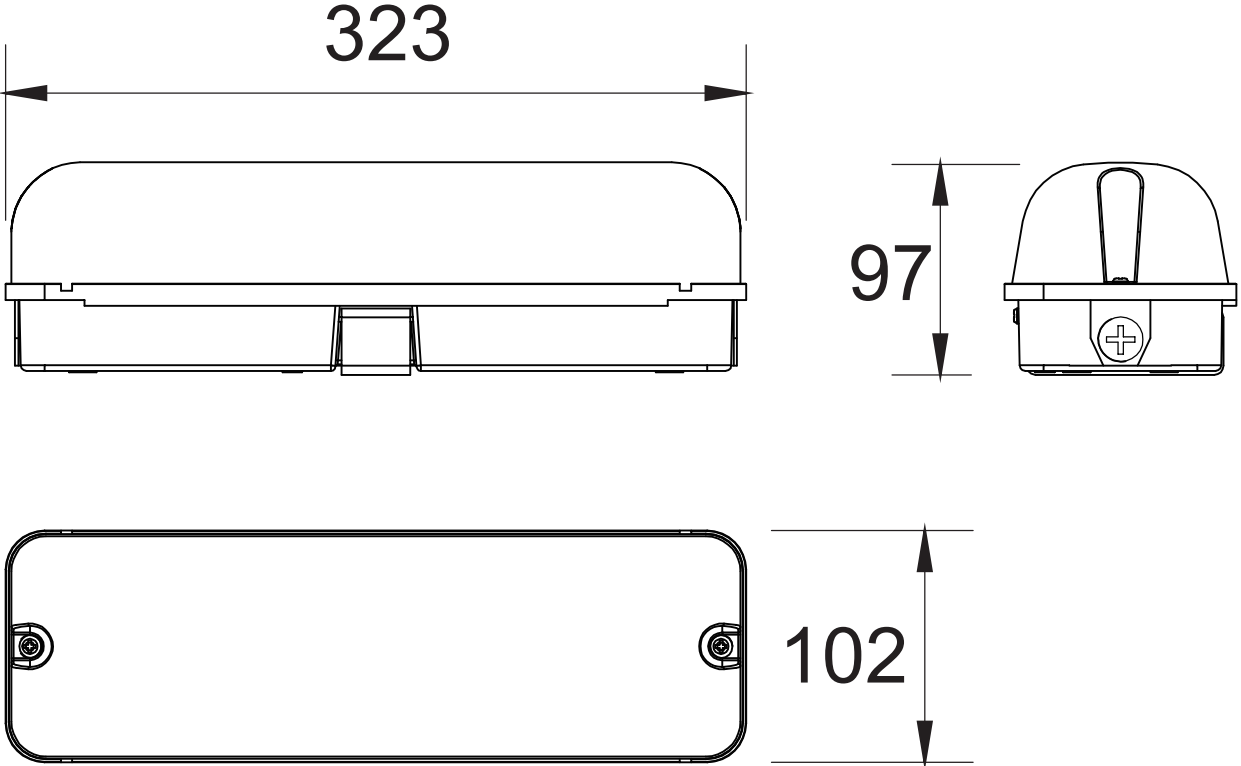
BEENA - - \_\_\_\_\_  
Power Consumption

Power Consumption	
Code	Description
<a href="#">5W</a>	5W
<a href="#">7W</a>	7W
<a href="#">10W</a>	10W
<a href="#">12W</a>	12W
<a href="#">16W</a>	16W
<a href="#">20W</a>	20W

# BEAM ANGLE



Technical Drawing



Unit: mm

# Installation Instructions

