

BEENA

L323xW102mm 5W-20W IP65



- Die-cast aluminum with matte white powder-coated
- Silicone-sponge Gasket and Anti UV opal polycarbonate diffuser.
- LED module: SMD LEDs with UL 94-V0 Aluminum Circuit Board
- LED module is worked in two circuit drives by two LED drivers (Option)
- Ingress-protected IP65
- Mechanical impact protection IK10

Technical Data

Installation method / 安裝方式 Método de instalación	Surface Mounted / 明裝式 / Montaje en superficie		
Dimension / 尺寸 / Dimensión	W:102 x L:323 x H:97mm		
Input Voltage / 輸入電壓 / Voltaje de entrada	<ul style="list-style-type: none"> • AC220-240V 50/60Hz • DC220V 		
Power Consumption / 燈具功率 Consumo de energía	<ul style="list-style-type: none"> • 5W • 12W 	<ul style="list-style-type: none"> 7W 16W 	<ul style="list-style-type: none"> 10W 20W
LED Driver Type / LED 驅動款式 Tipo de controlador LED	Integrated Type LED Driver-Refer to LED driver specification請參閱LED驅動器規格 <ul style="list-style-type: none"> • Integrated-type Twin LED Drivers for Two LED circuit • Integrated-type Single LED Drivers for One LED circuit • ON/OFF Switch AC220-240V 50/60HZ • 1-10V Dimming Driver AC220-240V 50/60HZ • DALI Dimming Driver AC220-240V 50/60HZ • ZIGBEE Wireless Control (Remoted Driver) AC220-240V 50/60HZ • Emergency Backup >2 hours or >3 hours @ < 12 charger hours應急電池/Copia de seguridad de emergencia 		
LED Driver Features / 驅動特性 Funciones del controlador de LED	Power Factor PF>0.9 Total Harmonic Distortion: THD< 20%		
Beam Angle / 光束角 / ángulo de haz	120°		
Light Source Brand / 光源品牌 / Fuente de luz de marca	Osram / Cree		
Lumen Maintenance LM-80 Reported by TM-2	L70 > 54,000 Hours		
LED Life / LED壽命 / La vida del LED	>100,000 hours		
Color Temperature / 色溫 Temperatura del color	2700K / 3000K / 4000K / 5000K / 6500K		
Color Rendering Index / 顯色指數 Índice de reproducción cromática	<ul style="list-style-type: none"> • > 80 • > 90 		
Luminaire Efficacy / 燈具效率 La eficacia de la luminaria	<ul style="list-style-type: none"> • 115 Lm/w(2700K), • 130 Lm/w(5000K), 	<ul style="list-style-type: none"> 120 Lm/w(3000K), 130 Lm/w(6500K), 	<ul style="list-style-type: none"> 125 Lm/w(4000K),
LED Source Luminous Efficacy / LED光源光效 Fuente luminosa LED Eficacia	<ul style="list-style-type: none"> • 140 Lm/w(2700K), • 160 Lm/w(5000K), 	<ul style="list-style-type: none"> 140 Lm/w(3000K), 160 Lm/w(6500K), 	<ul style="list-style-type: none"> 150 Lm/w(4000K),
Housing materials / 外殼材料 Materiales de la carcasa	Die-cast aluminium and Opal Polycarbonate Linear-Prisms diffuser 壓鑄鋁和乳白稜鏡擴散PC罩 Aluminio fundido a presión y policarbonato Milky difusor		
Housing Color / 外殼顏色 / color de la carcasa	Matte white / 啞光白色 / Blanco mate		
Ingress Protection / 防護等級 Protección de ingreso	IP65		
Mechanical Impact / 機械衝擊 Impacto mecánico	IK10		
Comply Testing Standard 符合測試標準 Cumplir el estándar de prueba	LED Luminaires: IEC/ EN 60598-1 / EN 60598-2-1 / EN 62031 / EN 62493 / IEC/EN 62471 / IEC 62031 EN 55015 / EN 61000-3-2 / EN 61000-3-3 / EN 61547 IEC TR62778 LED Driver: EN 55015 / EN 61000-3-2 / EN 61347-1 / EN 61347-2-13 / EN 61547 / EN 62384		

Certification-認證-Certificación



Project	Fixture#	Date
		Firm



Ordering Information

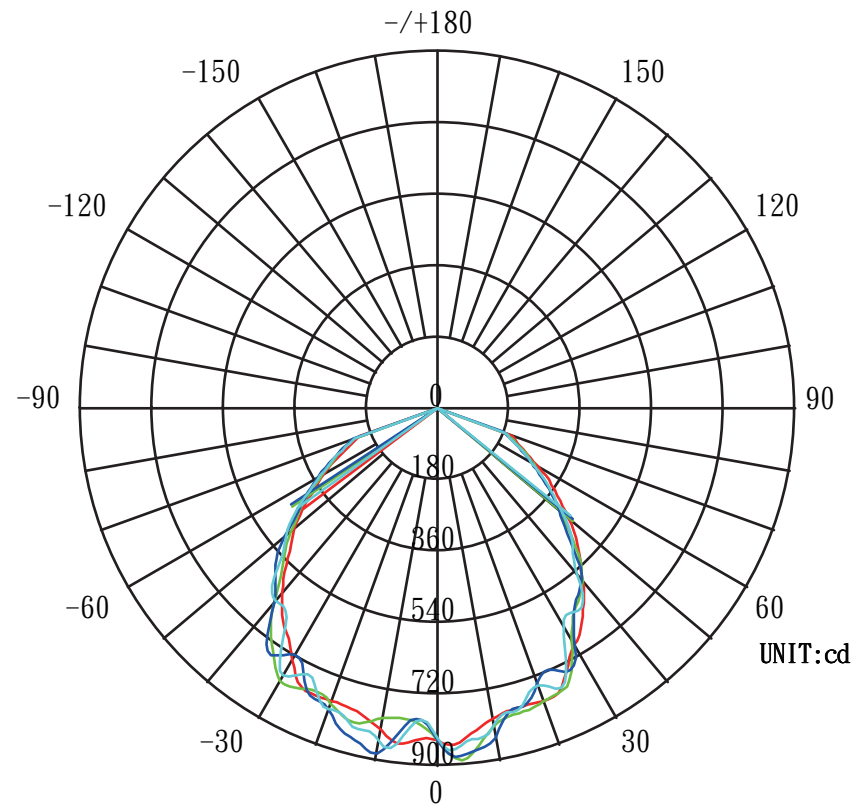
Choose the option that suits your need and write its corresponding code on the appropriate line to form the product code.

Example product code: [BEENA-5W](#)

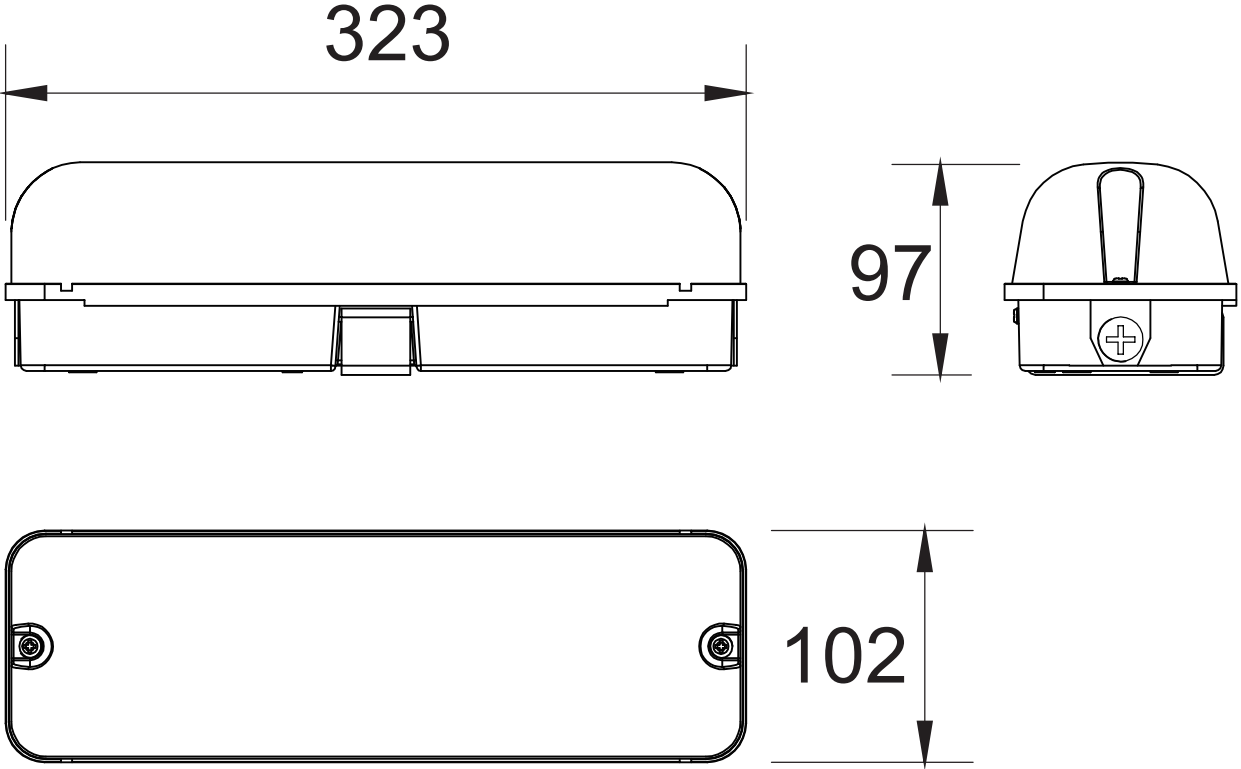
BEENA - - _____
Power Consumption

Power Consumption	
Code	Description
5W	5W
7W	7W
10W	10W
12W	12W
16W	16W
20W	20W

BEAM ANGLE



Technical Drawing



Unit: mm

Installation Instructions

