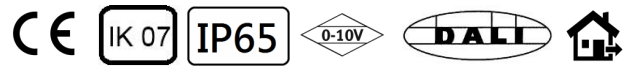








BOLATY

W50xL95xH700 mm 5W IP65



LED BOLLARDS LIGHT. This luminaire is one of the modern bollard types. The body is made of ADC12 corrosion-resistant aluminum housing and mounting base; Extruded aluminum lamp pole; 316 stainless steel external fasten screws; clear safe glass ; Double layers of DOPONT UV-resistant polyester powder coating.

Technical Data

Luminaire Type-安裝方式 Tipo de luminaria	Surface Mounted Type 明裝式燈具 Superficie Tipo Montado
Dimension-尺寸-Dimensión	W:50 x L: 95 x H: 700 mm
Power Consumption Max-燈具功率 Consumo de energía Max	5W 11W
Input Voltage-輸入電壓-Voltaje de entrada	AC 220-240V 50/60Hz
LED Driver Type LED驅動款式 Tipo de controlador LED	Integrated-type LED Driver--Refer to LED driver specification 請參閱LED驅動器規格 Consulte la especificación de controlador de LED 1. ON/OFF Switch AC220-240V 50/60HZ 2. ELV Dimming Driver (5-100%) AC 100-120V 50/60Hz or AC 200-240V 50/60HZ 3. 0-10V Dimming Driver AC100-240V 50/60HZ 4. Dali Dimming Driver AC100-240V 50/60HZ
Control Protocol-控制協議 Protocolo de Control	0-10V / Dali / DMX 512 / RDM / ZIGBEE Wireless Control
Beam Angle光束角ángulo de haz	Asymmetric
Light Source Brand-光源品牌-Fuente de luz de marca	CREE - (Photobiological safety-IEC 62471 'Risk Group 1' (low risk))
"Lumen Maintenance LM-80 Reported by TM-21"	L70(10k) > 60,000 hrs
LED Life-LED壽命-La vida del LED	>60,000 hours
Color Temperature -色溫 Temperatura del color	2700K / 3000K / 4000K / 5000K / 6500K
Color Rendering Index-顯色指數 Índice de reproducción cromática	>80
MacAdam Ellipses Binning 麥克亞當橢圓分級 Mac Adam binning elipse	Standard Deviation Colour Matching < 3 SDCM 標準偏差配色 < 3 SDCM Coincidencia de color estándar Desviación < 3 SDCM
Luminaire Efficacy燈具效率La eficacia de la luminaria	• 65 Lm/w(2700K), 65 Lm/w(3000K), 70 Lm/w(4000K), • 75 Lm/w(5000K), 75 Lm/w(6500K),
LED Source Luminous Efficacy LED光源光效 Fuente luminosa LED Eficacia	• 120 Lm/w(2700K), 120 Lm/w(3000K), 130 Lm/w(4000K), • 140 Lm/w(5000K), 140 Lm/w(6500K),
Housing materials-外殼材料 Materiales de la carcasa	Aluminium and Tempered glass 鋁和鋼化玻璃 Aluminio y vidrio templado
Housing Color 外殼顏色 color de la carcasa	UV resistant Powder Coating/抗紫外線粉末塗料/Resistente a los rayos UV Recubrimiento en Polvo: • Dark Black 深黑色 Negro oscuro • Grey 灰色 Gris
Ingress Protection-防護等級 Protección de ingreso	IP65
Operating Temperature Range / 工作溫度範圍 Rango de temperatura de funcionamiento	-20 °C / +50 °C
Operating Humidity -工作濕度 Humedad de funcionamiento	0~90%, non-condensing-不結霜 sin condensación
Comply Testing Standard 符合測試標準 Cumplir el estándar de prueba	LED Luminaires: IEC 60598-1 / IEC 60598-2-1 / Photometric data-IES format LED Driver: EN 55015 / IEC 61000-3-2 / IEC 61347-1 / IEC 61347-2-13 / IEC 61547
Certification-認證-Certificación	     

Project	Fixture#	Date
		Firm



Ordering Information

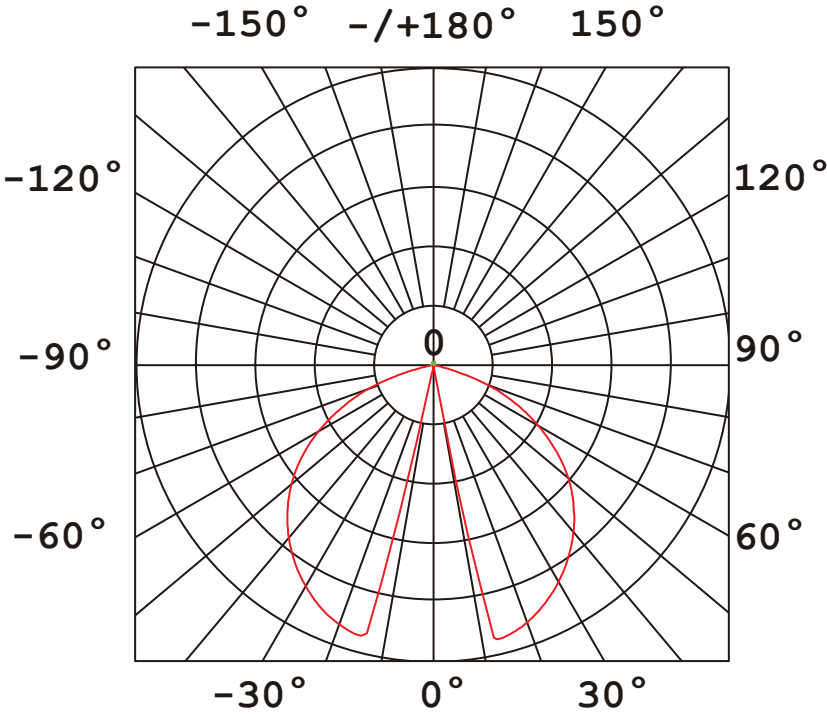
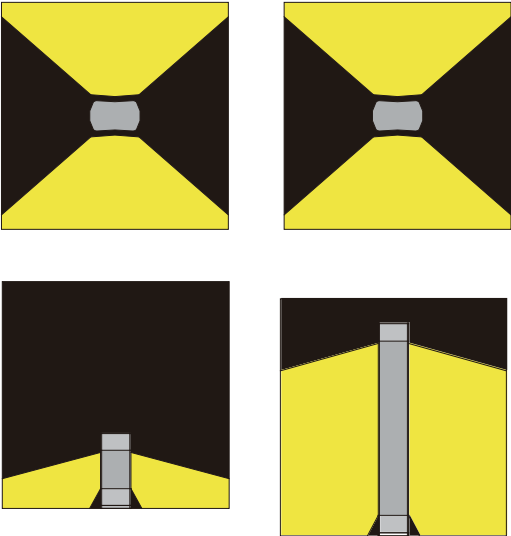
Choose the option that suits your need and write its corresponding code on the appropriate line to form the product code.

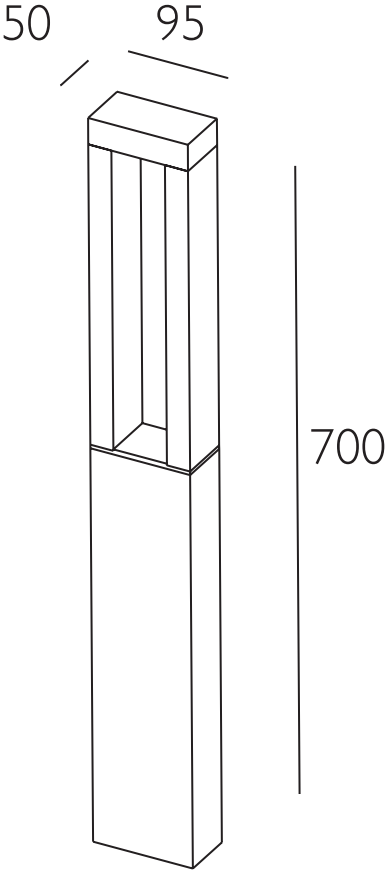
Example product code: [BOLATY-5W](#)

BOLATY - - _____
Power Consumption

Power Consumption	
Code	Description
5W	5W
11W	11W

BEAM ANGLE





Unit: mm