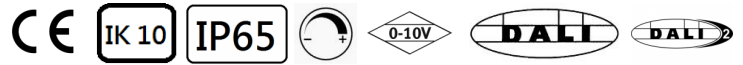


BOMOLY


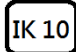
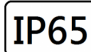





D150&200 x H1000&700mm 20W Max IP65



LED BOLLARDS LIGHT IP65. This luminaire is one of the modern bollard types. The body is made of cast aluminum and the light is distributed through aluminum reflector and 4mm thick PMMA diffuser, with 316# stainless steel screws and silicon seal gaskets. Designed for lighting in garden, commercial and residential areas, this luminaire provides wide spread downward illumination in gardens, pathways or squares. The high efficient LED technology has been introduced into this bollard luminaire, thus guaranteeing a high degree of efficiency and optimal visual comfort. Designers or architects can easily apply this luminaire at various locations. This type of luminaire enables easy installation and maintenance. Easily applicable in outdoor lighting plans. Focused on the illumination from the head, a beacon light version is also available.

Technical Data

Luminaire Type-安裝方式-Tipo de luminaria	Surface Mounted Type-明裝式燈具-Superficie Tipo Montado
Dimension-尺寸-Dimensión	<ul style="list-style-type: none"> • DIA 150 x H: 700 mm • DIA 150 x H: 1000 mm • DIA 200 x H: 700 mm • DIA 200 x H: 1000 mm • Type A, Type B, Type C, Type D, More detail, refer to technical drawing.
Power Consumption Max-燈具功率 Consumo de energía Max	<ul style="list-style-type: none"> • DIA 150 mm: 10W 12W 15W • DIA 200mm: 20W 30W
Input Voltage-輸入電壓-Voltaje de entrada	AC 100-240V 50/60Hz
LED Driver Type LED驅動款式 Tipo de controlador LED	Integrated-type LED Driver--Refer to LED driver specification 請參閱LED驅動器規格 Consulte la especificación de controlador de LED 1. ON/OFF Switch AC100-240V 50/60HZ 2. ELV Dimming Driver (5-100%) AC 100-120V 50/60Hz or AC 220-240V 50/60HZ 3. 0-10V Dimming Driver AC100-240V 50/60HZ 4. Dali Dimming Driver AC100-240V 50/60HZ
LED Driver Features驅動特性 Funciones del controlador de LED	POWER FACTOR : PF>0.90 @ Full Load TOTAL HARMONIC DISTORTION: THD< 20%
Control Protocol-控制協議 Protocolo de Control	0-10V / Dali / DMX 512 / RDM / ZIGBEE Wireless Control
Beam Angle光束角ángulo de haz	360° Symmetrical Beam Angle
Light Source Brand-光源品牌-Fuente de luz de marca	CREE COB
"Lumen Maintenance LM-80 Reported by TM-21"	L70(10k) > 63,500 hrs
LED Life-LED壽命-La vida del LED	>60,000 hours
Color Temperature -色溫 Temperatura del color	2700K / 3000K / 4000K / 5000K / 6500K
Color Rendering Index-顯色指數 Índice de reproducción cromática	>80
MacAdam Ellipses Binning 麥克亞當橢圓分級 Mac Adam binning ellipse	Standard Deviation Colour Matching < 3 SDCM 標準偏差配色< 3 SDCM Coincidencia de color estándar Desviación < 3 SDCM
Luminaire Efficacy-燈具效率 La eficacia de la luminaria	<ul style="list-style-type: none"> • 90 Lm/w(2700K), 90Lm/w(3000K), 100 Lm/w(4000K), • 110 Lm/w(5000K), 110 Lm/w(6500K),
LED Source Luminous EfficacyLED光源光效 Fuente luminosa LED Eficacia	<ul style="list-style-type: none"> • 130 Lm/w(2700K), 130 Lm/w(3000K), 140 Lm/w(4000K), • 150 Lm/w(5000K), 150 Lm/w(6500K),
Housing materials-外殼材料 Materiales de la carcasa	Extruded Aluminium and Anti UV Clear Polycarbonate Aluminio extruido y policarbonato transparente anti UV
Housing Color外殼顏色color de la carcasa	<ul style="list-style-type: none"> • Dark Black RAL 9005 深黑色RAL 9005 Negro oscuro RAL 9005 • Dark Grey RAL7016 深灰色RAL7016 Gris oscuro RAL7016
Mech impact protection 機械衝擊保護 Protección contra impactos mecánicos	IK10
Ingress Protection-防護等級 Protección de ingreso	IP65
Operating Temperature Range / 工作溫度範圍 Rango de temperatura de funcionamiento	-20 °C / +50 °C
Operating Humidity -工作濕度 Humedad de funcionamiento	0~90%, non-condensing-不結霜 sin condensación
Comply Testing Standard 符合測試標準 Cumplir el estándar de prueba	LED Luminaires: IEC 60598-1 / IEC 60598-2-1 / Photometric data-IES format LED Driver: EN 55015 / IEC 61000-3-2 / IEC 61347-1 / IEC 61347-2-13 / IEC 61547
Certification-認證-Certificación	     

Project	Fixture#	Date
		Firm



Ordering Information

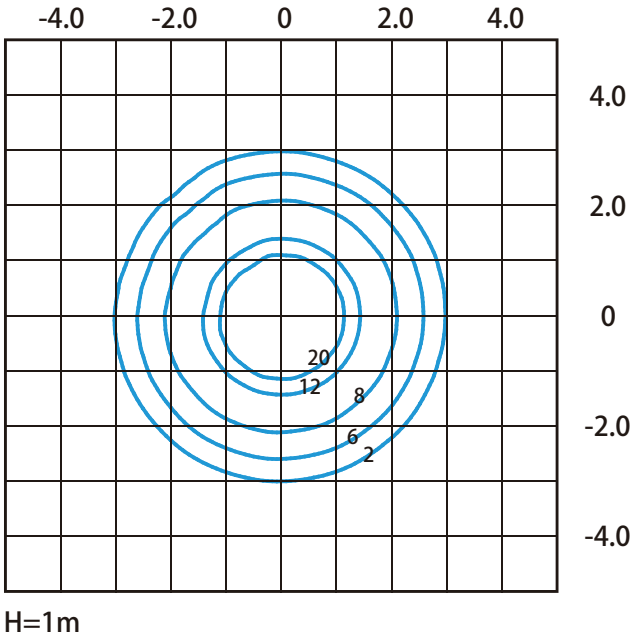
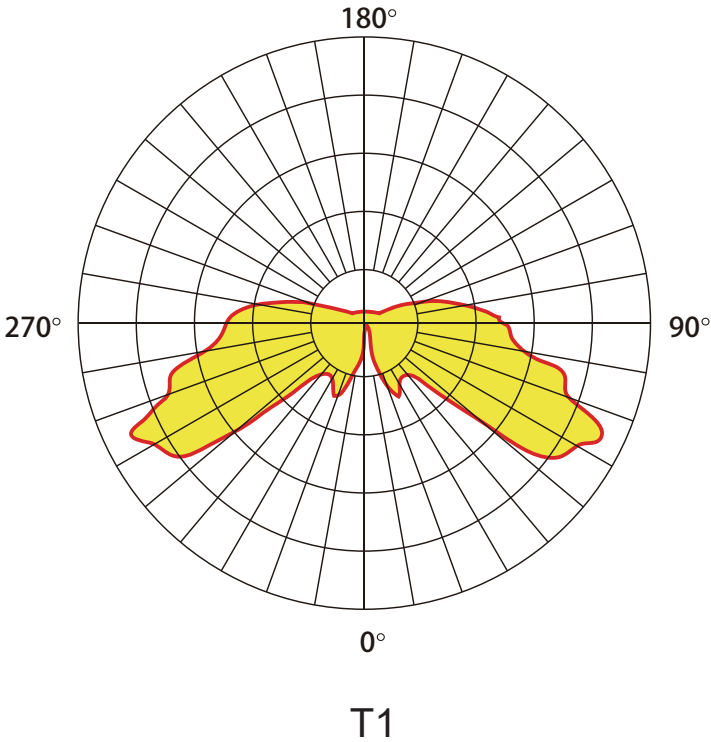
Choose the option that suits your need and write its corresponding code on the appropriate line to form the product code.

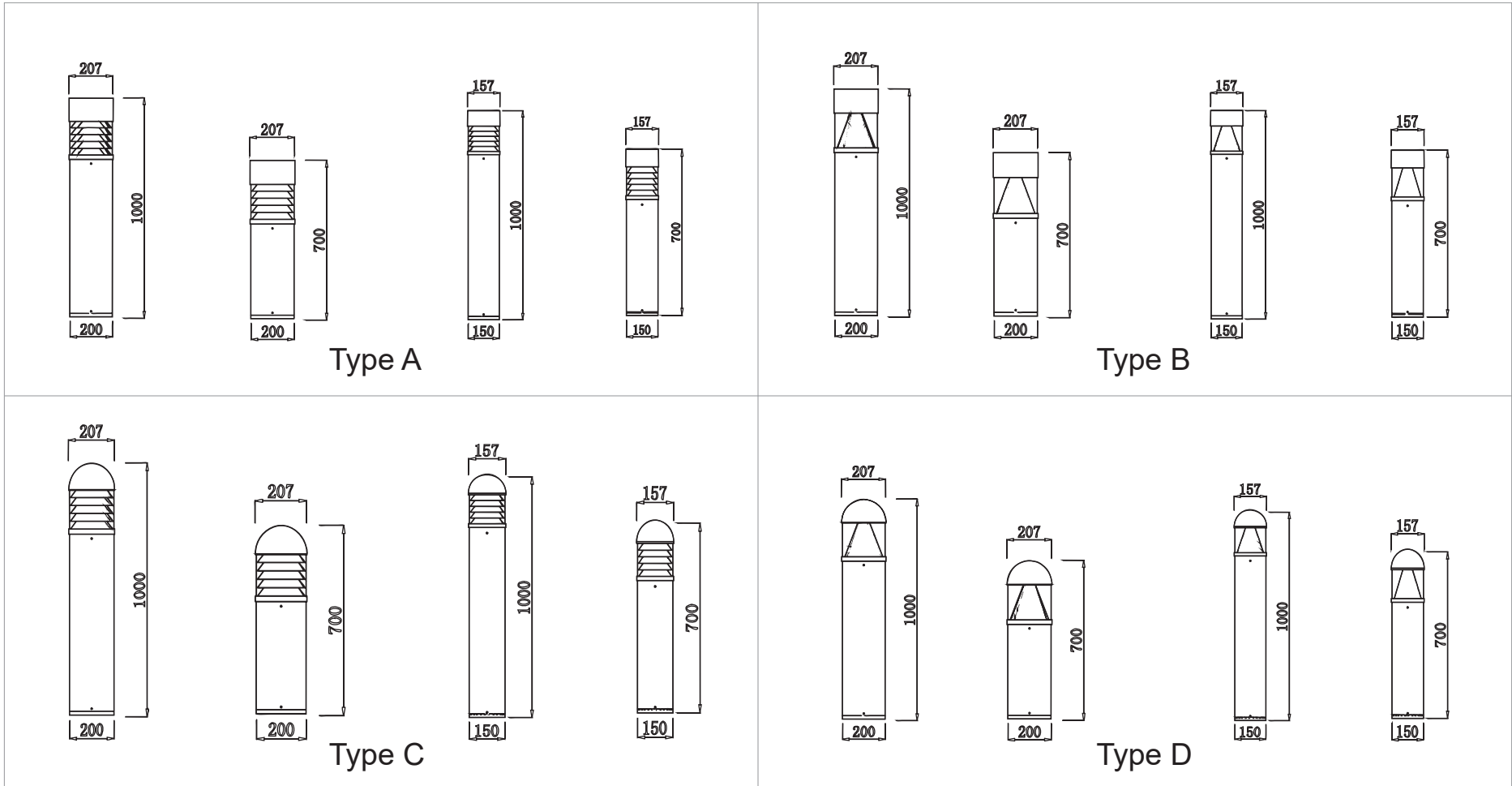
Example product code: [BOMOLY-15W](#)

BOMOLY - - _____
Power Consumption

Power Consumption	
Code	Description
10W	10W@DIA 150mm
12W	12W@DIA 150mm
15W	15W@DIA 150mm
20W	20W@DIA 200mm
30W	30W @DIA 200mm

BEAM ANGLE





Unit: mm