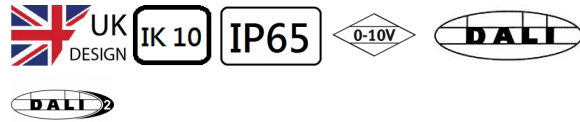


BOMOLY- X

Dia160 Max 30W



TYPE: A



TYPE: B



TYPE :C



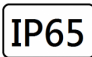



- LED BOLLARDS Light with symmetrical light distribution.
- Die-casting aluminum body and Die casting reflector with Anti-glare PC diffuser
- Anti UV Polycarbonate transparen Cover and extruded aluminum Stand .
- Finishing: Polyester powders Coating super resistance to corrosion
- Integrated-Type 1-10V, DALI, DMX and RDM LED Driver. ;
- IP65 protection rating and IK10 Impact protection

BOMOLY- X

Dia160 Max 30W

DIMON
TECHNOLOGY

Technical Data

Luminaire Type-安裝方式-Tipo de luminaria	Surface Mounted Type明裝式燈具Superficie Tipo Montado	
Dimension-尺寸-Dimensión	• Type A: DIA 160x H 800 mm • Type B: DIA 160x H 800 mm • Type C: DIA 160x H 800 mm	DIA 160x H 970 mm DIA 160x H 950 mm DIA 160x H 935 mm
Power Consumption Max-燈具功率 Consumo de energía Max	10W 15W 21W 25W 30W	
Input Voltage-輸入電壓-Voltaje de entrada	AC 220-240V 50/60Hz	
LED Driver Type LED驅動款式 Tipo de controlador LED	Integrated-type LED Driver--Refer to LED driver specification 請參閱LED驅動器規格 Consulte la especificación de controlador de LED 1. ON/OFF Switch AC220-240V 50/60HZ 2. 1-10V Dimming Driver AC100-240V 50/60HZ 3. Dali Dimming 0-100% Driver AC100-240V 50/60HZ	
LED Driver Features驅動特性 Funciones del controlador de LED	POWER FACTOR : PF>0.9 or PF> 0.95 Refer to LED Driver data sheet TOTAL HARMONIC DISTORTION: THD< 20%	
Control Protocol-控制協議 Protocolo de Control	1-10V / Dali	
Beam Angle 光束角 ángulo de haz	130°	
Light Source Brand-光源品牌-Fuente de luz de marca	CREE	
"Lumen Maintenance LM-80 Reported by TM-21"@25 °C	L70(10k) > 63,500 hrs	
LED Life-LED壽命-La vida del LED	>60,000 hours	
Color Temperature -色溫 Temperatura del color	2700K / 3000K / 4000K / 5000K / 6500K	
Color Rendering Index-顯色指數 Índice de reproducción cromática	• >80 • >90	
MacAdam Ellipses Binning 麥克亞當橢圓分級 Mac Adam binning ellipse	Standard Deviation Colour Matching < 3 SDCM 標準偏差配色 < 3 SDCM Coincidencia de color estándar Desviación < 3 SDCM	
Luminaire Efficacy 燈具效率 La eficacia de la luminaria	70Lm/w(2700K), 70 Lm/w(3000K), 80 Lm/w(4000K), 900 Lm/w(5000K), 90 Lm/w(6500K),	
LED Source Luminous Efficacy LED光源光效 Fuente luminosa LED Eficacia	130Lm/w(2700K), 130 Lm/w(3000K), 140Lm/w(4000K), 150 Lm/w(5000K), 150 Lm/w(6500K),	
Housing materials-外殼材料 Materiales de la carcasa	Aluminum alloy , transparent PC cover and stainless steel screws 鋁合金, 透明PC蓋和不銹鋼螺絲 Aleación de aluminio, cubierta de PC transparente y tornillos de acero inoxidable.	
Housing Color 外殼顏色 color de la carcasa	Mechanical and chemical anti-corrosion pre-treatment UV-resistant polyester exterior powder-coating system. 機械和化學防腐預處理使用防紫外線粉末塗料體 Pretratamiento mecánico y químico anticorrosión. Sistema de recubrimiento en polvo exterior de poliéster resistente a los rayos UV. Graphite 石墨黑 Grafito RAL 9005 Gray 灰色 Gris RAL 9006 White 白色 Blanco RAL9010	
Ingress Protection-防護等級 Protección de ingreso	IP65	
Mech impact protection機械衝擊保護 Protección contra impactos mecánico	IK10	
Operating Temperature Range / 工作溫度範圍 Rango de temperatura de funcionamiento	-20 °C / +50 °C	
Operating Humidity -工作濕度 Humedad de funcionamiento	0~90%, non-condensing-不結霜 sin condensación	
Comply Testing Standard符合測試標準 Cumplir el estándar de prueba	LED Luminaries: IEC/EN 60598-1 ; IEC/EN 60598-2-3; IEC62471 ; IEC TR 62778; IEC 62031; RoHS LED Driver: IEC/EN 61347-1; IEC/EN 61347-2-13; IEC/EN 62384; IEC/EN 61000-3-2; IEC/EN 61000-3-3; IEC/EN61574; EN 55015 ; IEC /EN 62384	
Certification-認證-Certificación	     	

Project	Fixture#	Date
		Firm

Ordering Information

Choose the option that suits your need and write its corresponding code on the appropriate line to form the product code.

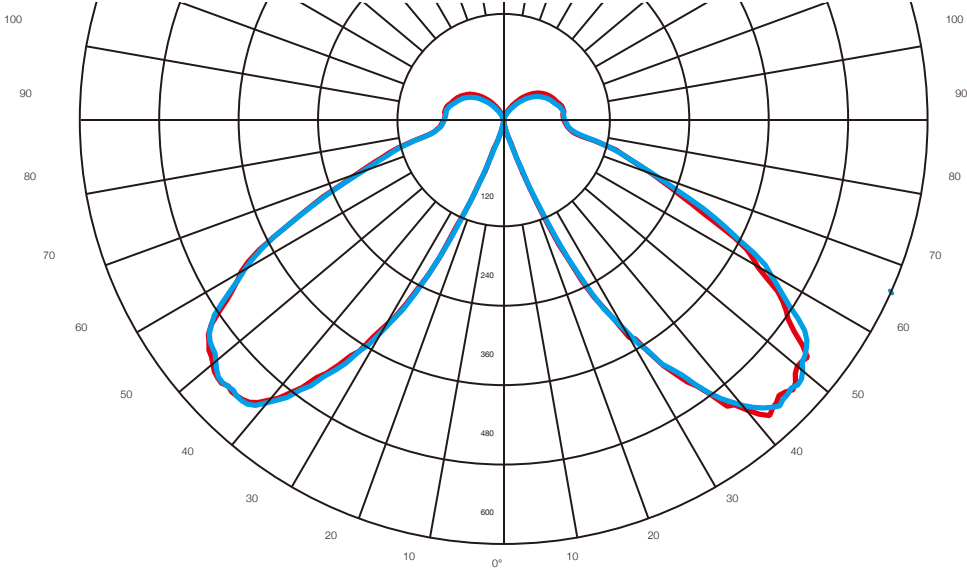
Example product code: [LABITY-21W](#)

BOMOLY - _____
[Power Consumption](#)

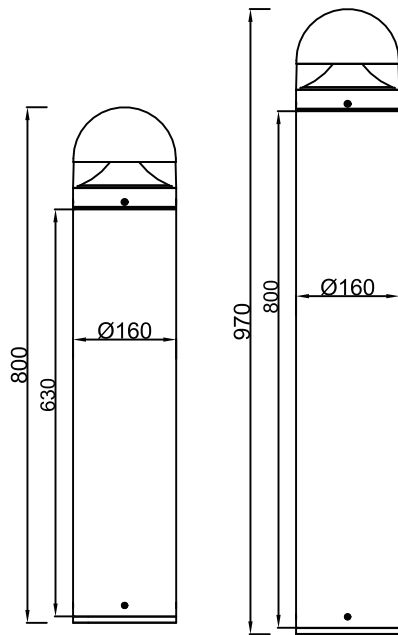
Power Consumption	
Code	Description
10W	10W
15W	15W
21W	21W
25W	25W
30W	30W



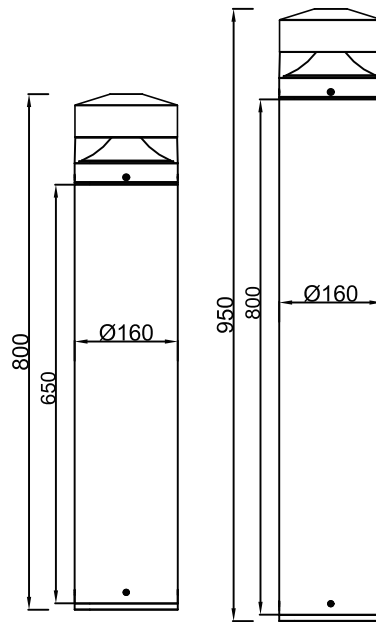
BEAM ANGLE



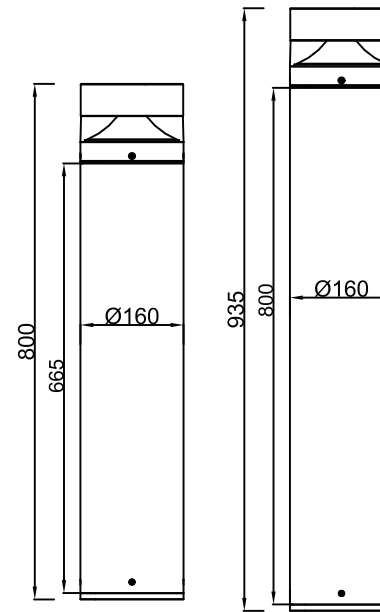
Technical Drawing



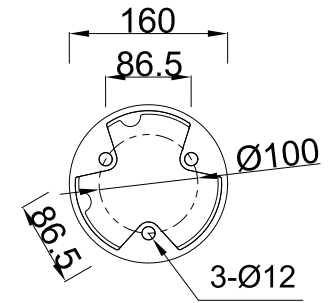
Type A



Type B



Type C



Unit: mm