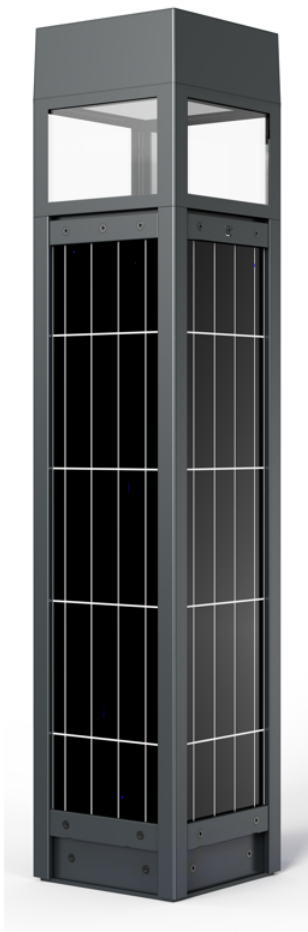


## BOUK-P -Solar

Solar LED Bollard



### Accessories:

Remote Controller for solar system setting Part NO. SR-CU-1





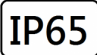



- All-in-one -Professional design to combine solar panel, light source, controller, battery as one.
- Die-cast aluminium, Surface anti-ageing electrostatic spray processing, super resistance to corrosion.
- Built-in the modular LiFePo4 battery
- Monocrystalline Solar Cell efficiency up to 22%
- Programmable MPPT for Timing dimming output to achieve energy-saving
- Mains Complementary Solar Controller : Charge over the power source from mains supply when solar energy is out of running

# BOUK-P -Solar

## Solar LED Bollard

**DIMON**  
TECHNOLOGY

### Technical Data

LED Rated Power LED 照明功率	Non-Solar LED Lighting非太陽能LED照明功率: : 6W 10W 15W 20W Solar LED Lighting太陽能LED 照明功率: 6W 10W
Solar Panel Power / 太陽能電池板功率 Energía del panel solar	72W (4x18W)
Photovoltaic Cell Type / 光伏電池類型 Tipo de celda fotovoltaica	Thin-film solar cells
Photovoltaic / 光伏效率 Eficiencia fotovoltaica	Up to Max.22% 最高可達22%
Type of battery / 電池類型 / tipo de batería	LiFePO4 Battery
Battery Capacity / 電池容量 Capacidad de la batería	12.8V 18Ah
Solar Controller / 太陽能控制器 Controlador solar	Programmable MPPT
AC Hybrid Version / 交流混合版(市電互補) Versión híbrida de CA	YES -AC Power Back up 交流備用電源 Input Voltage / 輸入電壓: 220-240VAC/50-60HZ
Lighting Control 燈光控制Control	Integrated-type LED Driver--Refer to LED driver specification 請參閱LED驅動器規格 Consulte la especificación de controlador de LED 1. ON/OFF Switch AC220-240V 50/60HZ 2. 0/1 -10V Dimming Driver AC220-240V 50/60HZ 3. DALI Dimming Driver AC220-240V 50/60HZ 4. DMX Driver AC220-240V 50/60HZ
Solar Charge Time / 太陽能充電時間 / tiempo de carga	8 Hours (By Bright Sunlight) *depend solar radiation 8 小時 (明亮陽光下) *取決於太陽輻射
Discharge Time / 放電時間 Tiempo de descarga	3 Days Max
Dimming profile parameters (Factory Preset) 調光配置文件參數 (工廠預設) Dimming profile parameters (Factory Preset)	First 3 hours from dusk: luminaire at 100% brightness Next 6 hours: luminaire at 30% brightness Next (until dawn): luminaire at 10% brightness
Color Temperature / 色溫 Temperatura del color	3000K / 4000K / 5000K / 5700K
Color Rendering Index / 顯色指數 Índice de reproducción cromática	> 80
Luminaire Efficiency / 燈具光效 Eficiencia de la luminaria	70 Lm/w(3000K) 80 Lm/w(4000K) 90 Lm/w(5000K) 90 Lm/w(5700K),
Light Distribution / 光分佈 Distribucion de luz	Symmetric or Asymmetric 對稱 或 不對稱
Housing materials / 外殼材料 Materiales de vivienda	Die-casting aluminium body and aluminium alloy stand with PC transparent diffuser 壓鑄鋁燈頭鋁合金燈柱和PC 透明擴散器
Housing Color / 外殼顏色 / Color de la carcasa	Anti Corrosion Polyester powder 防腐噴粉 Black RAL 9005; Grey RAL 9006; White RAL 9003; Dark Grey RAL 7043 黑色 RAL 9005 灰色 RAL 9006 白色 RAL 9003 深灰色RAL 7043
Ingress Protection / 防護等級 / Protección de ingreso	IP65
Mech impact protection / 機械衝擊防護 LED Lantern	IK08
Dimension / 尺寸 / Dimensión	Refer to drawing 參考圖紙
Operating Temperature Range / 工作溫度範圍 Rango de temperatura de funcion amiento	30 °C / +50 °C
Certification	     

Project	Fixture#	Date
		Firm



## Ordering Information

Choose the option that suits your need and write its corresponding code on the appropriate line to form the product code.

Example product code: BOUK-P-6W

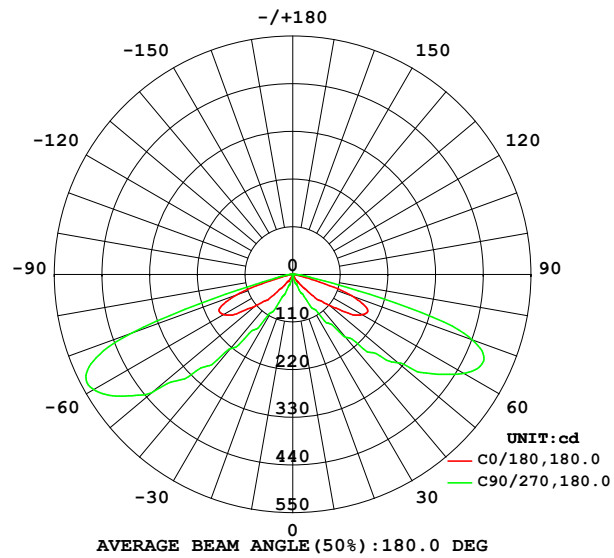
BOUK-P-                 -                 \_\_\_\_\_

POWER

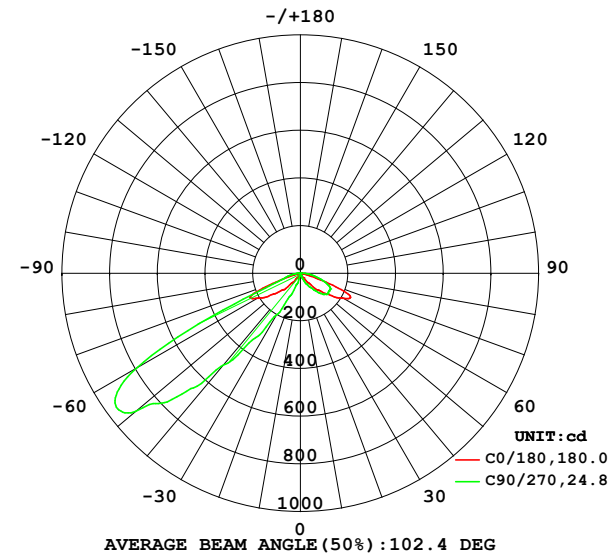
POWER	
Code	Description
6W	6W
10W	10W
15W	15W
20W	20W

# Beam Angle

## Symmetric

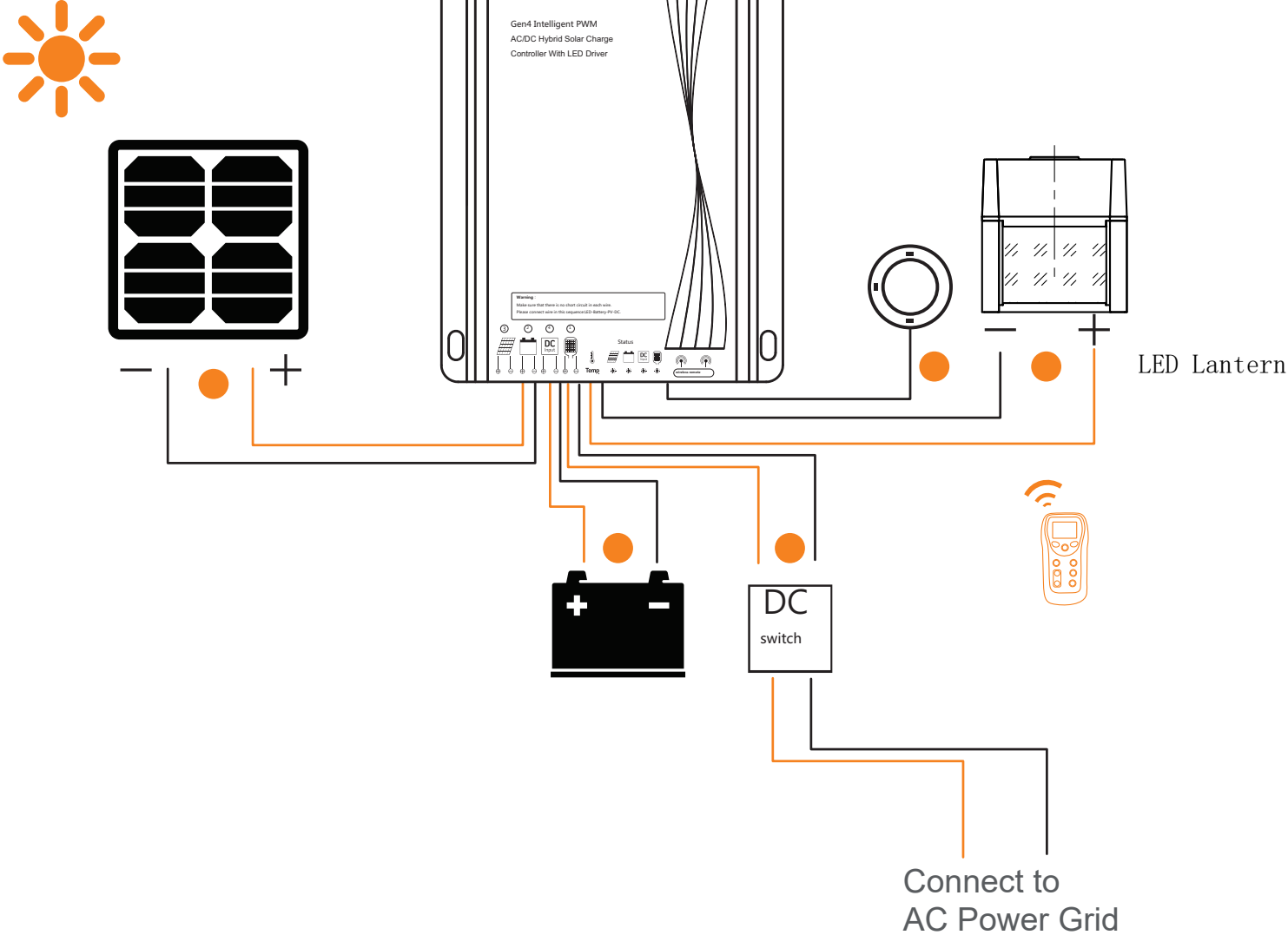


## Asymmetric

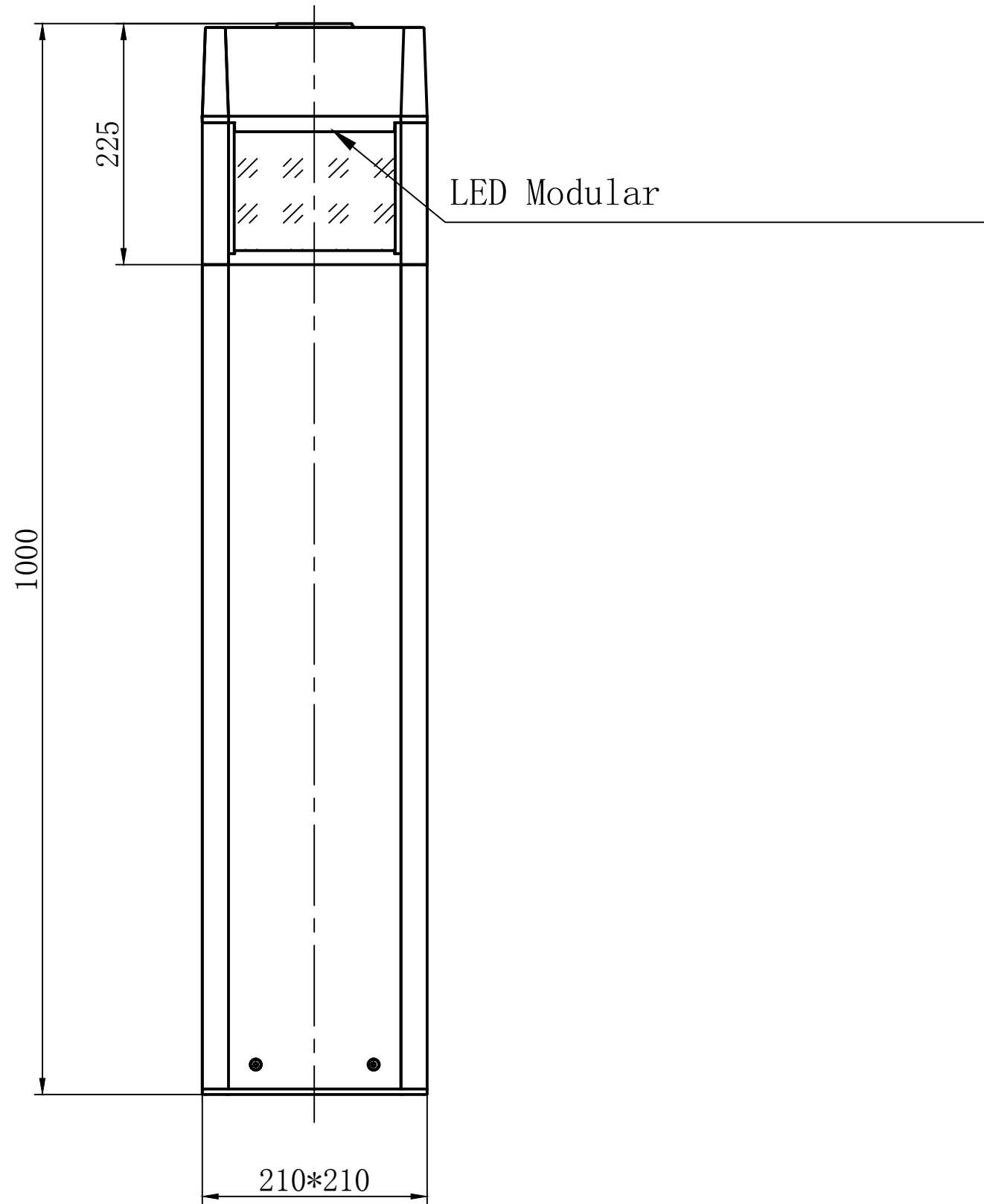


# Solar Control Diagram

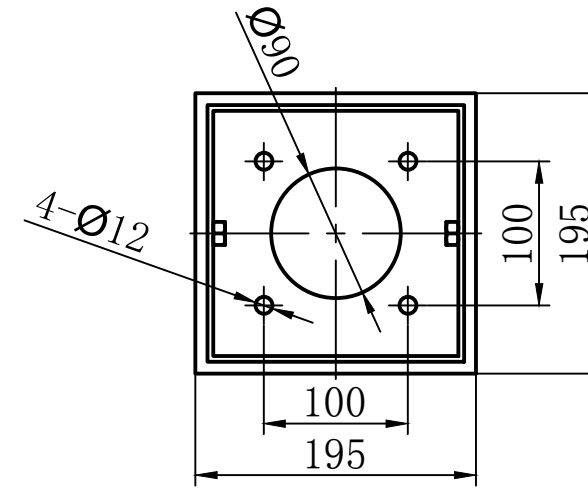
## AC/DC Hybrid Solar Charge



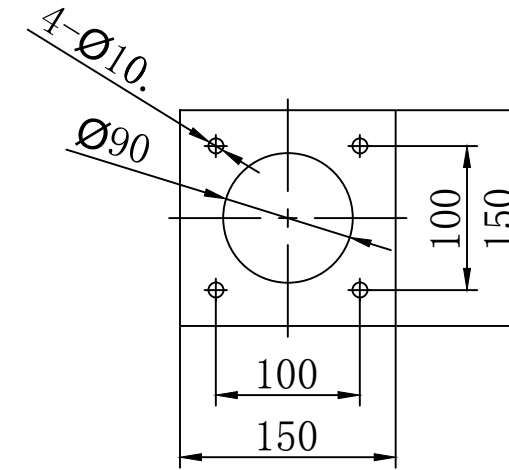
Technical Drawing



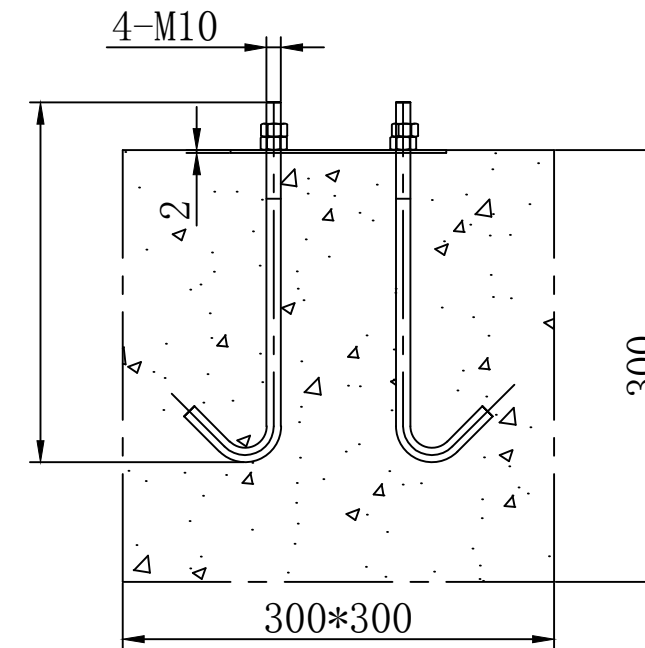
Mounting detail



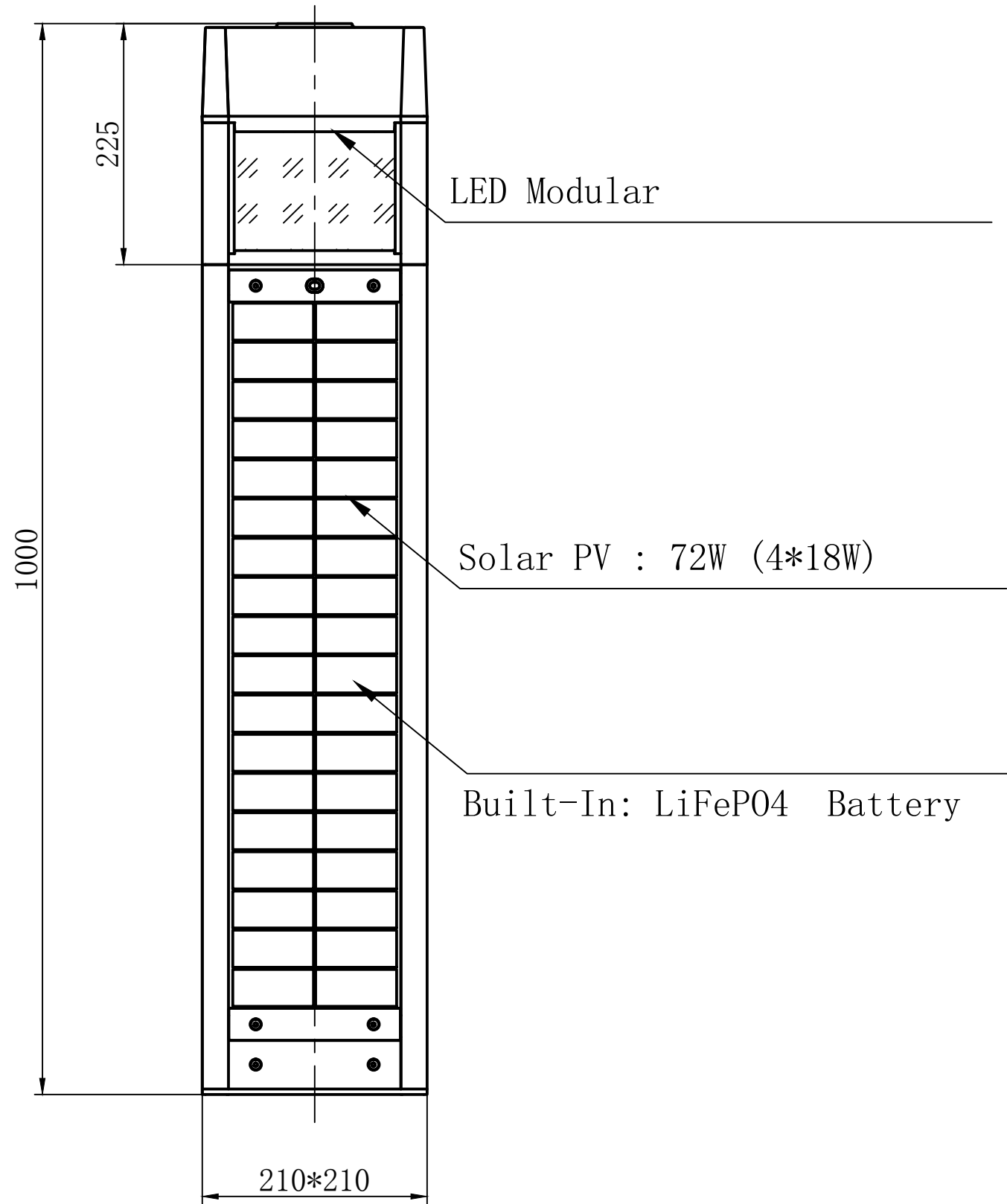
Base Dimension



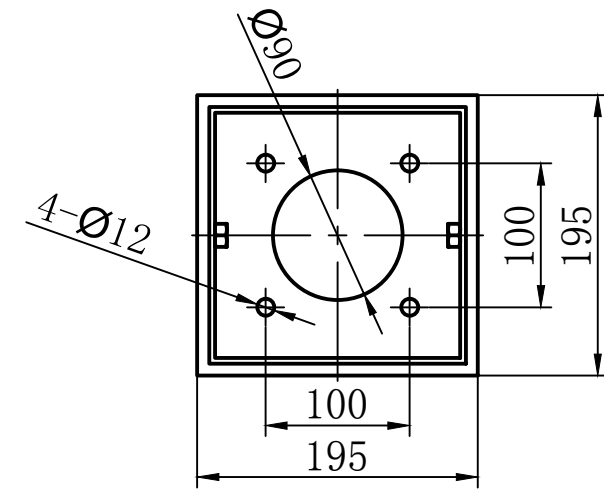
Anchor bolt



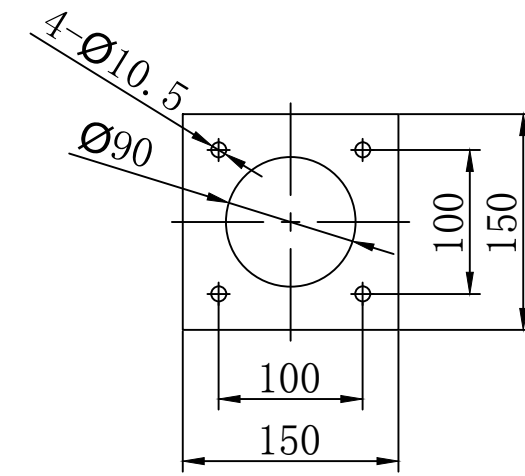
# Technical Drawing-Solar



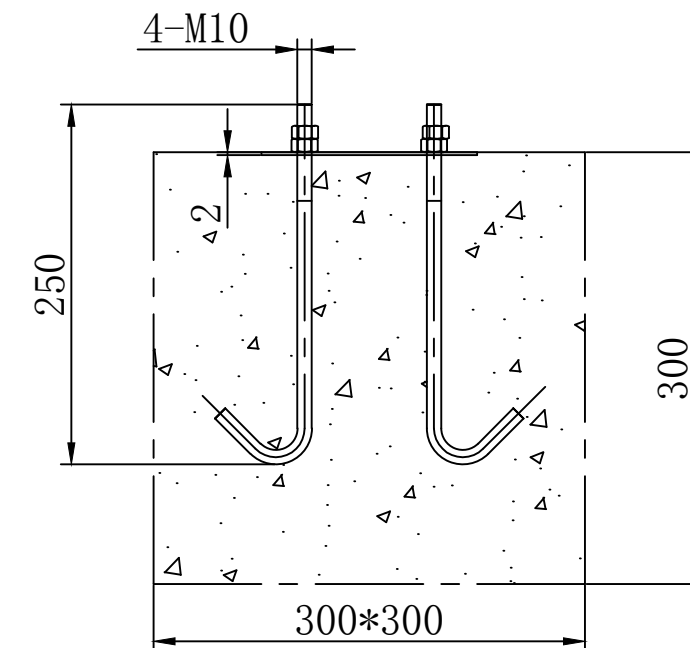
Mounting detail



Base Dimension



Anchor bolt



Accessories:  
Remote Controller for  
solar system setting  
Part NO. SR-CU-1

