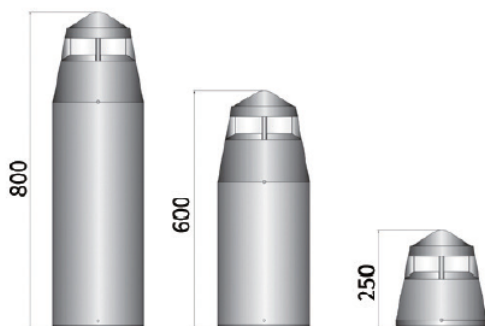


BOURG-S

D230 x H 250 & 600 & 800 mm



- LED BOLLARDS LIGHT.
- The body is made of ADC12 corrosion-resistant aluminum housing and mounting base;
- Extruded aluminum lamp pole with stainless steel external fasten screws;
- 4mm transparent anti-UV PMMA diffuser;
- Double layers of DOPONT UV-resistant polyester powder coating.
- IP65 and IK10.
- Professional light distribution.
- 0.25m 0.6m and 0.8m height optional.
- Dali or 1-10v dimmable is available.

BOURG-S

D230 x H 250 & 600 & 800 mm

DIMON
TECHNOLOGY

Technical Data

Luminaire Type-安裝方式 Tipo de luminaria	Surface Mounted Type 明裝式燈具 Superficie Tipo Montado
Dimension-尺寸-Dimensión	<ul style="list-style-type: none"> • DIA 230 x H: 250 mm • DIA 230 x H: 600 mm • DIA 230 x H: 800 mm
Power Consumption Max-燈具功率 Consumo de energía Max	13W 15W 20W 23W 26W 30W
Input Voltage-輸入電壓-Voltaje de entrada	AC 220-240V 50/60Hz
LED Driver TypeLED驅動款式 Tipo de controlador LED	Integrated-type LED Driver--Constant Current LED Driver: Refer to LED driver specification 請參閱LED驅動器規格 Consulte la especificación de controlador de LED 1. ON/OFF Switch 2. 1-10V Dimming Driver 3. Dali Dimming Driver(0%-100%)
LED Driver Features Constant Current LED Driver: 驅動特性-恆流LED驅動器 Funciones del controlador de LED	POWER FACTOR : PF>0.90 or PF:>0.95 TOTAL HARMONIC DISTORTION: THD< 20% Constant Current LED Driver: Refer to LED driver specification 請參閱LED驅動器規格 Consulte la especificación de controlador de LE
Control Protocol-控制協議 Protocolo de Control	1-10V / Dali
Beam Angle光束角ángulo de haz	<ul style="list-style-type: none"> • 4x Asymmetric 70x360° • 2x Asymmetric 70x360° • 1x Asymmetric 70x360°
Light Source Brand-光源品牌-Fuente de luz de marca	CREE
"Lumen Maintenance LM-80 Reported by TM-21"@25 °C	L70(10k) > 60,000 hrs
LED Life-LED壽命-La vida del LED	>60,000 hours
Color Temperature -色溫 Temperatura del color	2700K / 3000K / 4000K / 5000K / 6500K
Color Rendering Index-顯色指數 Índice de reproducción cromática	>80
MacAdam Ellipses Binning 麥克亞當橢圓分級 Mac Adam binning elipse	Standard Deviation Colour Matching < 3 SDCM 標準偏差配色 < 3 SDCM Coincidencia de color estándar Desviación < 3 SDCM
Luminaire Efficacy燈具效率La eficacia de la luminaria	<ul style="list-style-type: none"> • 4x Asymmetric : 50 Lm/w(2700K&3000K), 60 Lm/w(4000K&5000K& 6500K) • 2x Asymmetric : 30 Lm/w(2700K&3000K), 40 Lm/w(4000K&5000K& 6500K) • 1x Asymmetric : 20 Lm/w(2700K&3000K), 30 Lm/w(4000K&5000K& 6500K)
LED Source Luminous Efficacy LED光源光效 Fuente luminosa LED Eficacia	<ul style="list-style-type: none"> • 120 Lm/w(2700K), 120 Lm/w(3000K), 130 Lm/w(4000K), • 140 Lm/w(5000K), 140 Lm/w(6500K),
Housing materials-外殼材料 Materiales de la carcasa	Die-Casted Aluminium and Transparent Anti UV- PMMA Diffuser 壓鑄鋁和透明防紫外線PMMA擴散器 Aluminio fundido a presión y difusor transparente anti UV-PMMA
Housing Color 外殼顏色 color de la carcasa	UV resistant Powder Coating/抗紫外線粉末塗料/Resistente a los rayos UV Recubrimiento en Polvo: <ul style="list-style-type: none"> • Black 黑 RAL 9005 • Dark grey 深灰 RAL7022 • Gray 灰色 Gris RAL 7004 • Neutral Grey 天然 gris neutro RAL7035 • White 白色 Blanco RAL9016
Ingress Protection-防護等級 Protección de ingreso	IP66
Mech impact protection 機械衝擊保護 Protección contra impactos mecánicos	IK07
Operating Temperature Range / 工作溫度範圍 Rango de temperatura de función ambiente	-20 °C / +50 °C
Operating Humidity -工作濕度 Humedad de funcionamiento	0~90%, non-condensing-不結霜 sin condensación
Comply Testing Standard 符合測試標準 Cumplir el estándar de prueba	LED Luminaires: IEC 60598-1 / IEC 60598-2-1 / Photometric data-IES format LED Driver: EN 55015 / IEC 61000-3-2 / IEC 61347-1 / IEC 61347-2-13 / IEC 61547
Certification-認證-Certificación	      

Project	Fixture#	Date
		Firm

Ordering Information

Choose the option that suits your need and write its corresponding code on the appropriate line to form the product code.

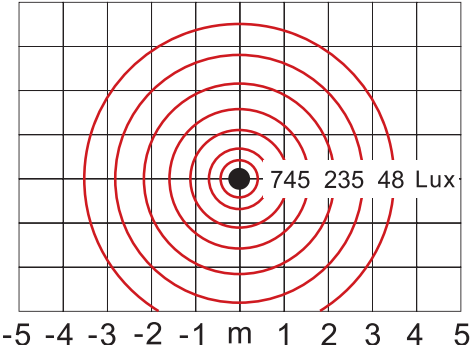
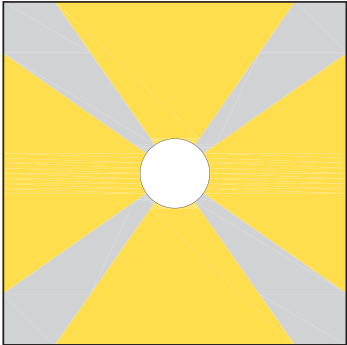
BOURG - _____
Power Consumption

PowerbConsumption	
Code	Description
13W	13W
15W	15W
20W	20W
23W	23W
26W	26W
30W	30W

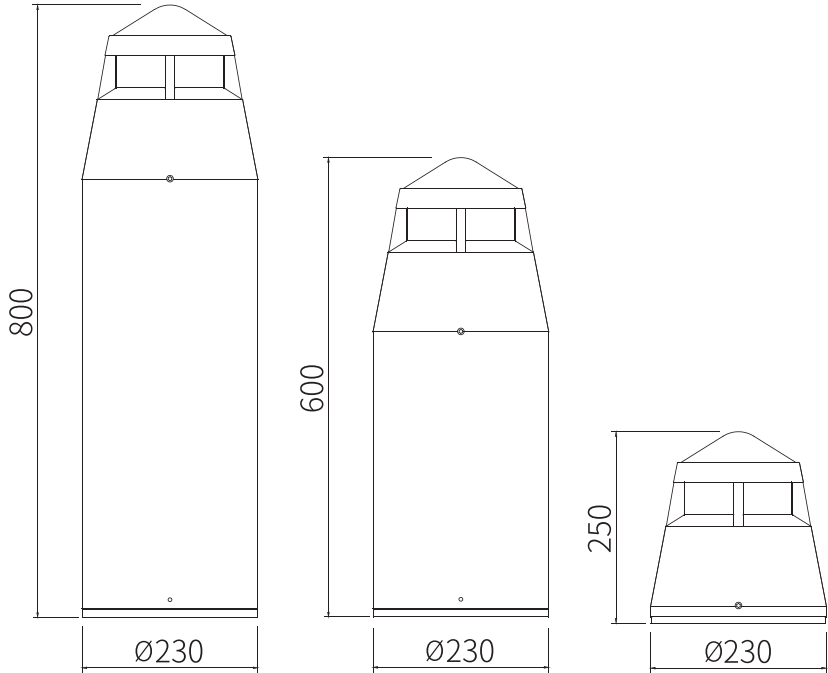


BEAM ANGLE

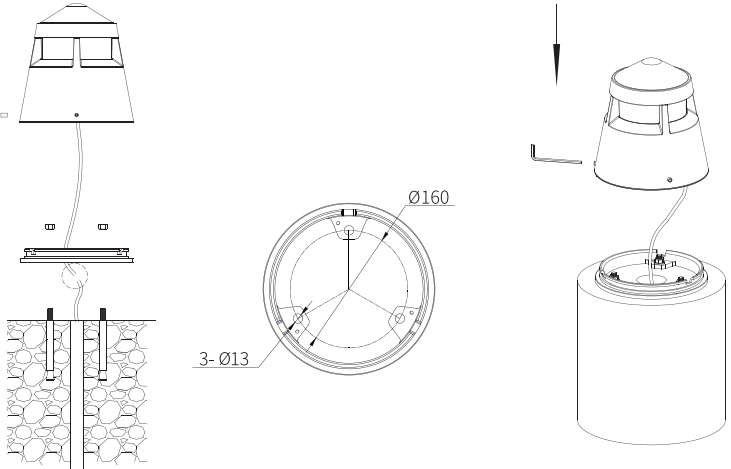
4x Asymmetric 70x360°



Technical Drawing



Installation :



Unit: mm