

## BOURG-Solar






Solar Bollard Light



- IP66 and IK07
- Unique and gorgeous appearance
- High efficiency Mono-crystalline solar panel
- Environmentally friendly - 100% powered by the sun, solar panels reduce fossil fuel consumption, eliminating pollution
- Long lifespan LiFePO4 battery, 8-hour charging, working 2-3 days.

## Technical Data

Luminaire Type-安裝方式 Tipo de luminaria	Mounting kit with anchor bolts 帶地腳螺栓的安裝套件Kit de montaje con pernos de anclaje	
Solar Panels Type 太陽能板類型Tipo de paneles solares	Mono-Crystalline solar panel單晶太陽能板panel solar monocristalino	
Solar Panel Wattage 太陽能板功率Potencia del panel solar	5W	
Battery Type 電池類型Tipo de batería	LiFePO4 battery磷酸鐵鋰電池batería LiFePO4	
Battery Capacity 電池容量Capacidad de la batería	38.4Wh	
LED Light Power Consumption	3W	
Charging Time 充電時間 Tiempo de carga	>8hours	
Operating Time 工作時間 Tiempo de funcionamiento	Normal mode>11 hours,Intelligent mode 2-3 days普通模式>11小時，智能模式2-3天 Modo normal> 11 horas, modo inteligente 2-3 días	
Working mode Intelligent Setting 工作模式智能設置 Modo de trabajo Configuración inteligente	Refer to Installation Manuals -Lighting scheme setting 請參閱安裝手冊 - 照明方案設置 Consulte los manuales de instalación: configuración del esquema de iluminación.	
Control Protocol-控制協議Protocolo de Control	Remote Control 遙控器控制Control remoto Accessories: Order Code: DM-Unit-32	
Beam Angle 光束角ángulo de haz	Symmetric Angle 對稱角度 Ángulo simétrico: 3201 or 3203 Asymmetric Angle 不對稱角度 Ángulo asimétrico: 3202	
Light Source Brand-光源品牌-Fuente de luz de marca	SMD2835	
Lumen Maintenance LM-80 Reported by TM-21@25°C	L70 > 60,000 hrs	
LED Life-LED壽命-La vida del LED	>60,000 hours	
Color Temperature -色溫Temperatura del color	3000K / 4000K / 5000K	
Color Rendering Index-顯色指數 Índice de reproducción cromática	>80	
MacAdam Ellipses Binning 麥克亞當橢圓分級 Mac Adam binning elipse	Standard Deviation Colour Matching < 3 SDCM標準偏差配色< 3 SDCM Coincidencia de color estándar Desviación < 3 SDCM	
Luminaire Efficacy 燈具效率La eficacia de la luminaria	Symmetric Angle 110 Lm/w(3000K), 120 Lm/w(4000K), 130 Lm/w(5000K), Asymmetric Angle :95 Lm/w(3000K), 100 Lm/w(4000K), 110 Lm/w(5000K),	
LED Source Luminous Efficacy LED光源光效 Fuente luminosa LED Eficacia	140Lm/w(2700K), 140 Lm/w(3000K), 150Lm/w(4000K), 160 Lm/w(5000K), 160 Lm/w(6500K),	
Housing materials-外殼材料 Materiales de la carcasa	Aluminum Alloy and Anti UV Polycarbonate Optical Lens 鋁合金和抗紫外線PC光學鏡片 Lente óptica de aleación de aluminio y policarbonato anti UV	
Housing Color 外殼顏色 color de la carcasa	Polyester powder Coating--Matte Black RAL 9005 聚酯粉末塗料-啞光黑RAL9005 Recubrimiento de polvo de poliéster - Negro mate RAL 9005	
Ingress Protection-防護等級Protección de ingreso	IP66	
Mech impact protection 機械衝擊保護 Protección contra impactos mecánicos	IK07	
Accessories 配件 Accesorios	<ul style="list-style-type: none"> <li>• Visor 遮陽板 Visera (DM-B01-01)</li> <li>• Mounting kit with anchor bolts帶地腳螺栓的安裝套件Kit de montaje con pernos de anclaje</li> </ul>	
Dimension-尺寸-Dimensión	• Φ230×520mm(Φ9.06"×20.47")	Φ230×920mm(Φ9.06"×36.22")
Luminaire Net Weight 燈具淨重 Peso neto de la luminaria	• 5.1±0.3kg(11.24±0.66Lbs)	6.6±0.3kg(14.55±0.66Lbs)
Operating Temperature Range / 工作溫度範圍 Rango de temperatura de funcionamiento	-20 °C / +50 °C	
Operating Humidity -工作濕度 Humedad de funcionamiento	0~90%, non-condensing-不結霜 sin condensación	
Comply Testing Standard 符合測試標準 Cumplir el estándar de prueba	LED Luminaires: IEC 60598-1 / IEC 60598-2-1 LED Driver: IEC/EN 61347-1; IEC/EN 61347-2-13; IEC/EN 62384; IEC/EN 61000-3-2; IEC/EN 61000-3-3;IEC/EN61574;EN 55015	
Certification-認證-Certificación	  	

Project	Fixture#	Date
		Firm

## Ordering Information

Choose the option that suits your need and write its corresponding code on the appropriate line to form the product code.

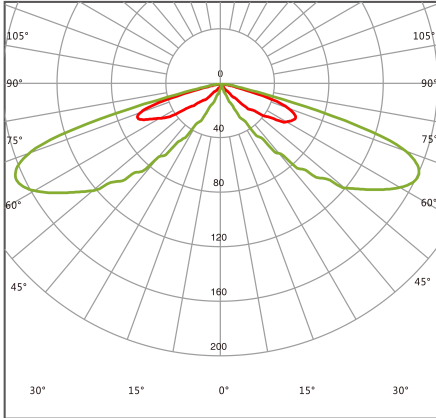
Example product code: [BOURG-5W](#)

BOURG                      5W  
Power Consumption

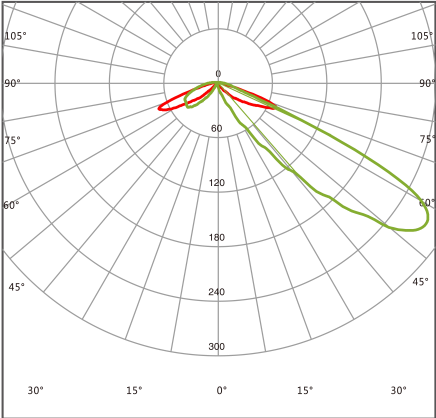
Power Consumption	
Code	Description
<a href="#">5W</a>	5W Solar Power with 3W LED



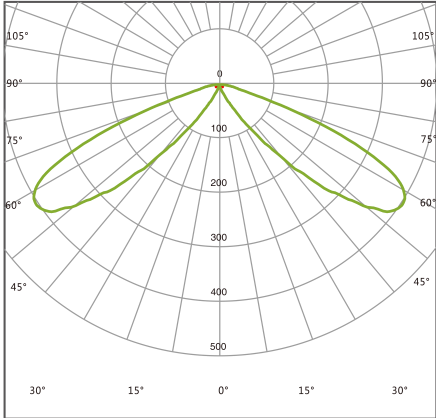
# BEAM ANGLE



3201

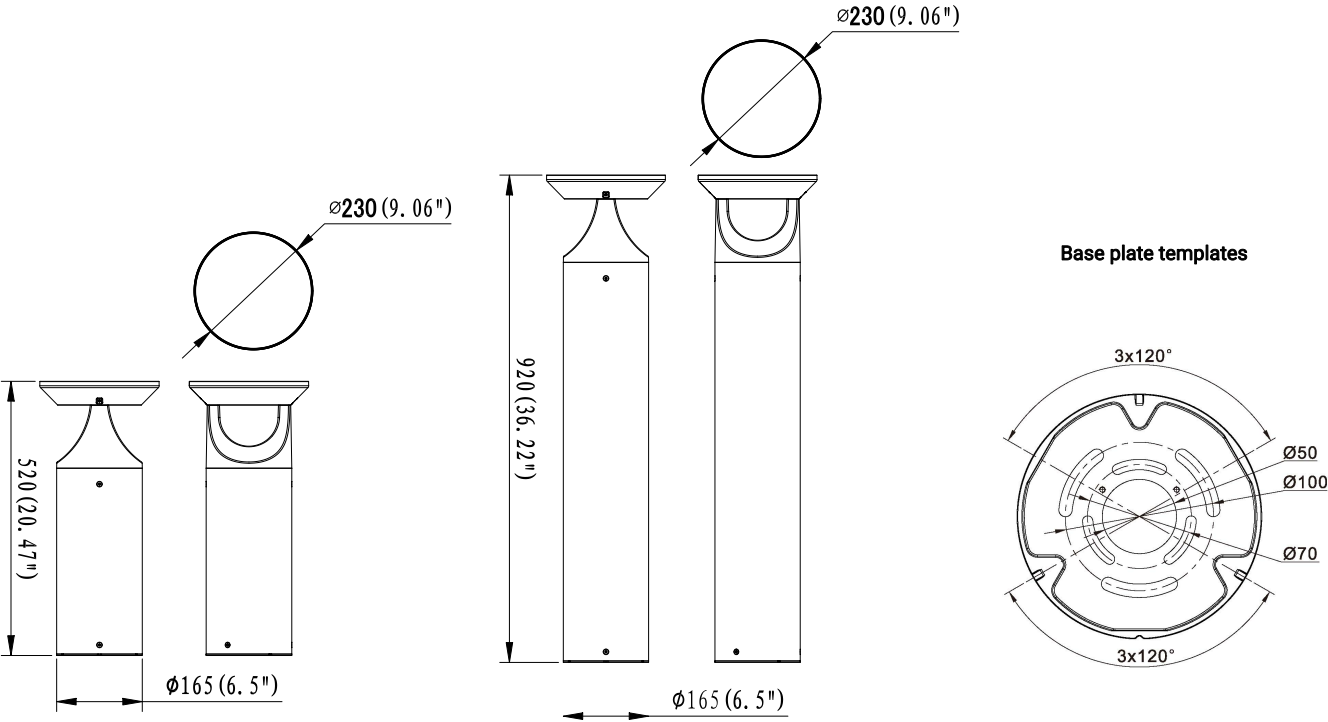


3202



3203

Technical Drawing



Accessories



**Remote Control**  
Remote control for solar LED bollard light  
Code: DM-Unit-32








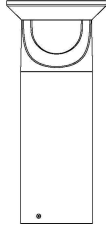
**Round House Side Shield**  
To reduce glare light  
Code: DM-B01-01

Unit: mm

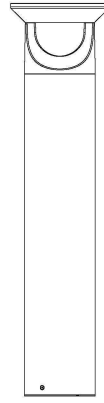
# LED Solar Bollard Light

## Instruction Manual

Packing List		
	Base plate templates	1PC
	Screw fixing plate	1PC
	Screw M5x16	5PCS
	Screw M8	3PCS
	Nut M8	3PCS



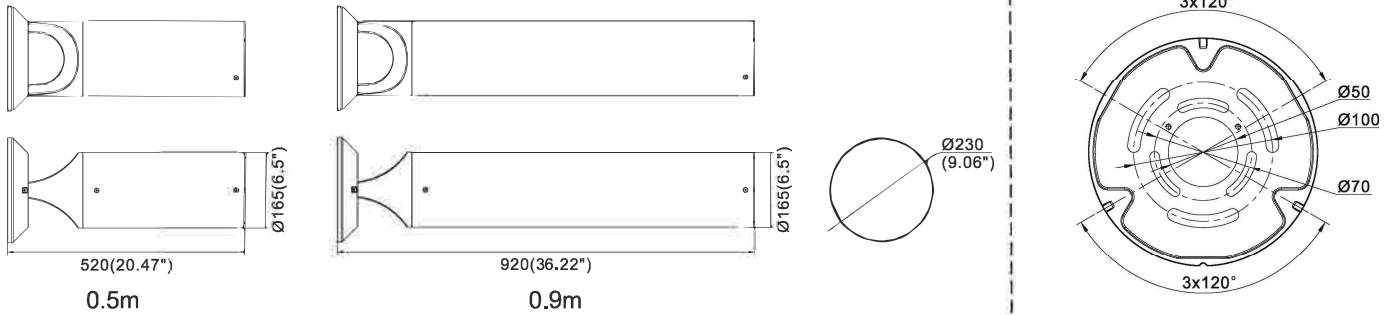
0.5m



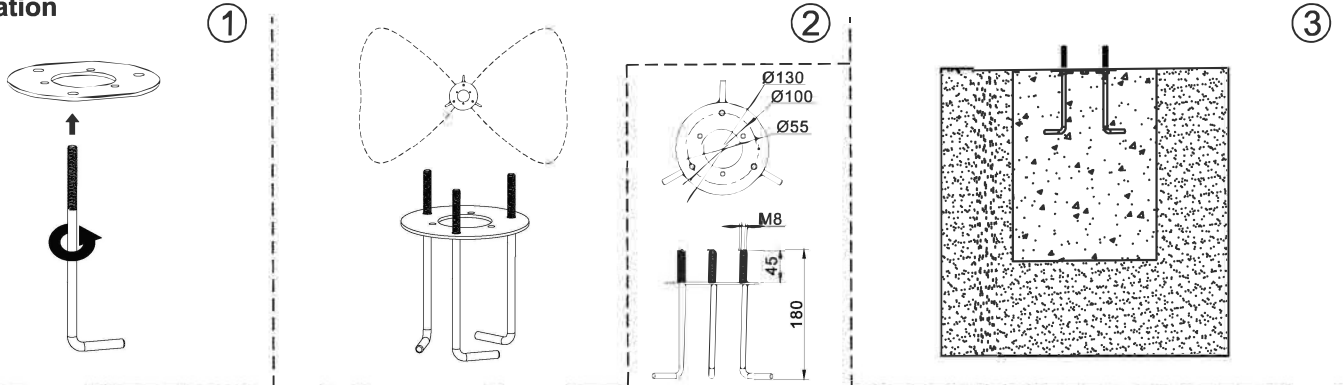
0.9m



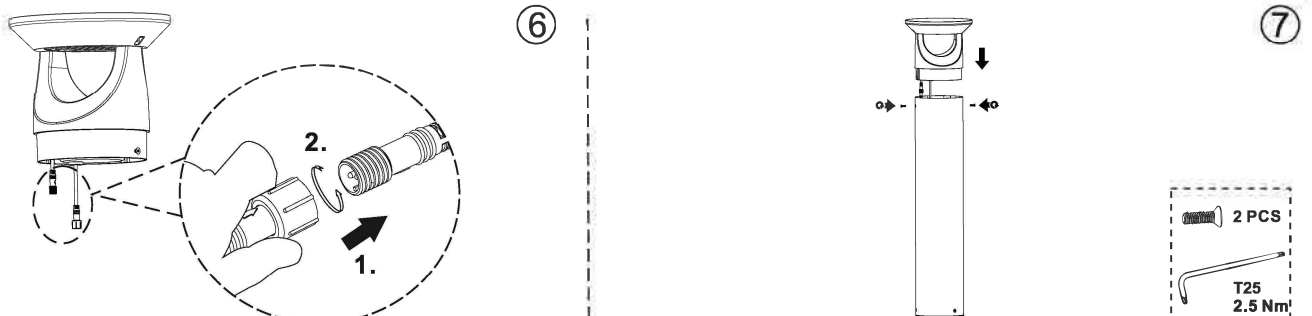
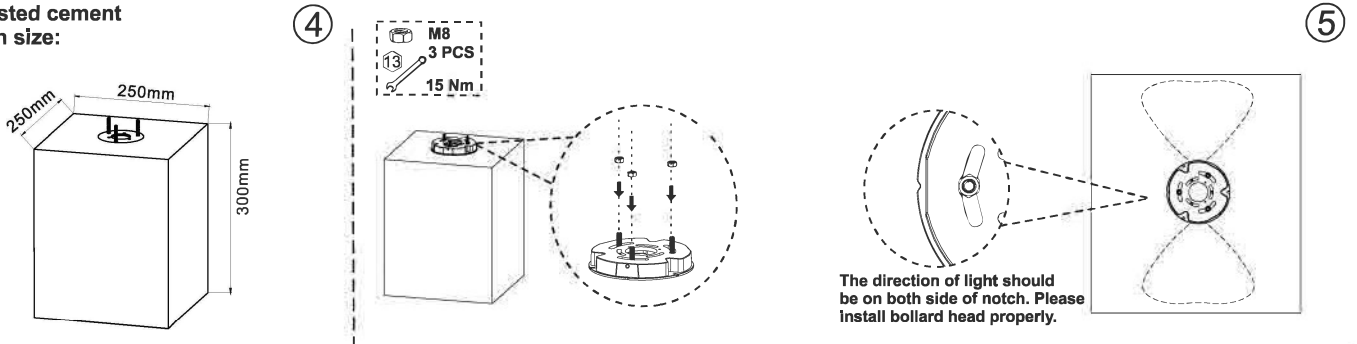
### Physical Dimensions(mm/inch)



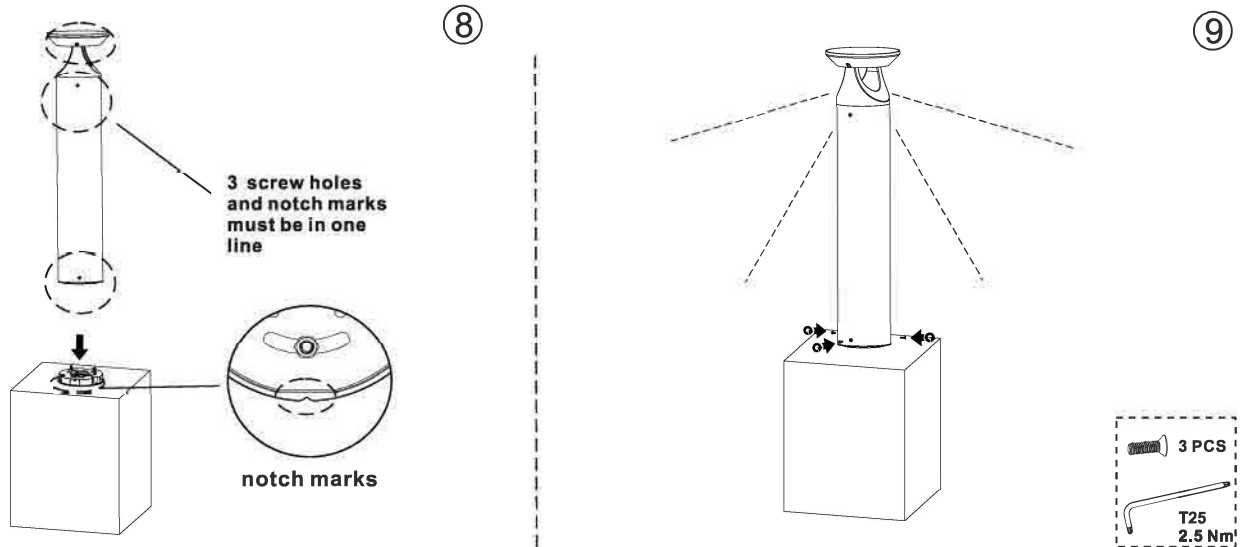
### Installation



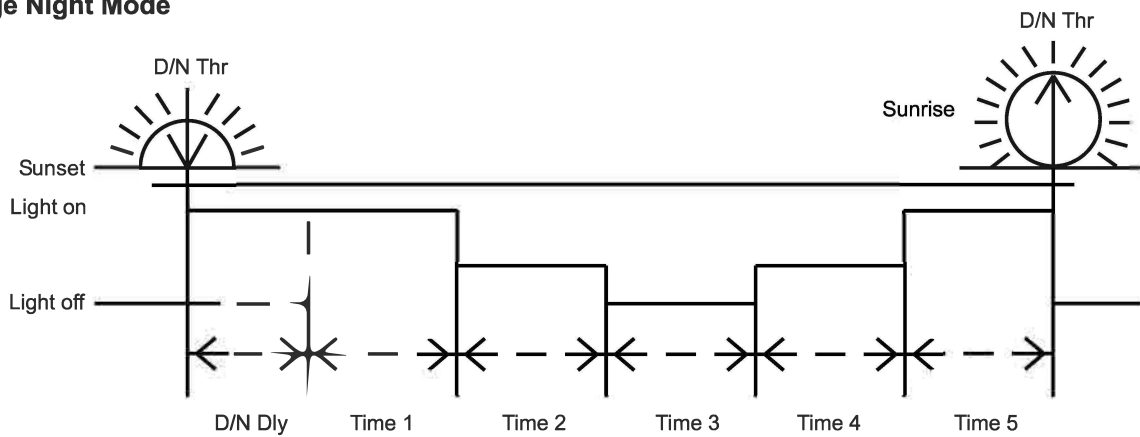
### Suggested cement column size:



## Instruction Manual



### Five-stage Night Mode



- \* Set the modes Time 1-5 and lighting levels by remote control.
- \* Avoid being shaded by trees and buildings, or battery charging will be affected.

#### \* Recommended lighting settings

Lighting scheme	Time 1	Time 2	Time 3	Time 4	Time 5	Energy consumption	Working hours in rainy days
1 (Factory default)	4Hx100%	0Hx100%	0Hx100%	0Hx0%	0Hx100%	14Wh	2.7Days
2	6Hx30%	6Hx30%	0Hx100%	0Hx0%	0Hx100%	12.6Wh	3 Days
3	6Hx50%	6Hx30%	0Hx100%	0Hx0%	0Hx100%	16.8Wh	2.3Days
4	4Hx70%	4Hx30%	4Hx30%	0Hx0%	0Hx100%	18.2Wh	2.1 Days
5	4Hx100%	2Hx50%	0Hx100%	0Hx0%	0Hx100%	17.5Wh	2.2Days
6	4Hx100%	2Hx30%	0Hx100%	TOTx0%	1Hx80%	18.9Wh	2 Days
7	4Hx80%	2Hx30%	0Hx100%	TOTx0%	1Hx80%	16.1Wh	2.4Days

Product Specifications	3W	
Outlook Dimensions	Ø230x520mm(Ø9.06"x20.47")	Ø230x920mm(Ø9.06"x36.22")
Net Weight	5.1±0.3kg(11.24±0.66Lbs)	6.6±0.3kg(14.55±0.66Lbs)
Working Temperature	0°C to + 50°C(32°F to +122°F)	
Storing Temperature	-10°C to + 50°C(14°F to +122°F)	

- For other than portable PV luminaire systems, the installation shall recommend that installation be performed by an appropriately qualified professional, and that the installation shall comply with any local rules and regulations
- The light source contained in this luminaire shall only be replaced by the manufacturer or his service agent or a similar qualified person.