



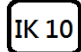
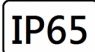



BOUSA

Dia 140 & 200mm



LED BOLLARDS LIGHT IP65. This luminaire is one of the modern bollard types. The body is made of extruded and die-cast aluminum. The light is distributed through aluminum reflector and White silk screen tempered glass. with stainless steel screws and fire resistant silicon seal gaskets.. The high efficient LED technology has been introduced into this bollard luminaire, thus guaranteeing a high degree of efficiency and optimal visual comfort. Designers or architects can easily apply this luminaire at various locations.

Technical Data

Luminaire Type-安裝方式 Tipo de luminaria	Surface Mounted Type 明裝式燈具 Superficie Tipo Montado
Dimension-尺寸-Dimensión	Refer to Technical Drawing 請參閱技術圖紙 Consulte el dibujo técnico
Power Consumption Max-燈具功率 Consumo de energía Max	<ul style="list-style-type: none"> • 8W @ Dia 140mm 10W @ Dia 140mm 12W @ Dia 140mm • 15W @ Dia 200mm 18W @ Dia 200mm 20W @ Dia 200mm • 24W @ Dia 200mm 26W @ Dia 200mm 30W @ Dia 200mm
Input Voltage-輸入電壓-Voltaje de entrada	AC 100-240V 50/60Hz
LED Driver Type LED驅動款式 Tipo de controlador LED	Integrated-type LED Driver--Refer to LED driver specification 請參閱LED驅動器規格 Consulte la especificación de controlador de LED <ul style="list-style-type: none"> 1. ON/OFF Switch AC100-240V 50/60HZ 2. ELV Dimming Driver (5-100%) AC 100-120V 50/60Hz or AC 200-240V 50/60HZ 3. 0-10V Dimming Driver AC100-240V 50/60HZ 4. Dali Dimming Driver AC100-240V 50/60HZ 5. DMX Driver AC100-240V 50/60HZ 6. RDM Driver AC100-240V 50/60HZ
LED Driver Features-驅動特性 Funciones del controlador de LED	POWER FACTOR : PF \geq 0.90 @ Full Load TOTAL HARMONIC DISTORTION: THD< 20%
Control Protocol-控制協議 Protocolo de Control	0-10V / Dali / DMX 512 / RDM / ZIGBEE Wireless Control
Beam Angle-光束角ángulo de haz	130°
Light Source Brand-光源品牌-Fuente de luz de marca	CREE - (Photobiological safety-IEC 62471 'Risk Group 1' (low risk))
"Lumen Maintenance LM-80 Reported by TM-21"	L70(10k) > 60,000 hrs
LED Life-LED壽命-La vida del LED	>60,000 hours
Color Temperature -色溫 Temperatura del color	2700K / 3000K / 4000K / 5000K / 6500K
Color Rendering Index-顯色指數 Índice de reproducción cromática	<ul style="list-style-type: none"> • >80 • >90
MacAdam Ellipses Binning 麥克亞當橢圓分級 Mac Adam binning elipse	Standard Deviation Colour Matching < 3 SDCM 標準偏差配色< 3 SDCM Coincidencia de color estándar Desviación < 3 SDCM
Luminaire Efficacy-燈具效率-La eficacia de la luminaria	<ul style="list-style-type: none"> • 80Lm/w(2700K), 80 Lm/w(3000K), 90 Lm/w(4000K), • 100 Lm/w(5000K), 100 Lm/w(6500K),
LED Source Luminous Efficacy LED光源光效 Fuente luminosa LED Eficacia	<ul style="list-style-type: none"> • 120Lm/w(2700K), 120 Lm/w(3000K), 130Lm/w(4000K), • 140 Lm/w(5000K), 140 Lm/w(6500K),
Housing materials-外殼材料 Materiales de la carcasa	Aluminium and Tempered glass 鋁和鋼化玻璃 Aluminio y vidrio templado
Housing Color 外殼顏色 color de la carcasa	<ul style="list-style-type: none"> • Dark Black 深黑色 Negro oscuro • Grey灰色 Gris
Ingress Protection-防護等級 Protección de ingreso	IP65
Mech impact protection 機械衝擊保護 Protección contra impactos mecánicos	IK10
Operating Temperature Range / 工作溫度範圍 Rango de temperatura de funcionamiento	-20 °C / +50 °C
Operating Humidity -工作濕度 Humedad de funcionamiento	0~90%, non-condensing-不結霜 sin condensación
Comply Testing Standard 符合測試標準 Cumplir el estándar de prueba	LED Luminaires: IEC 60598-1 / IEC 60598-2-1 / Photometric data-IES format LED Driver: EN 55015 / IEC 61000-3-2 / IEC 61347-1 / IEC 61347-2-13 / IEC 61547
Certification-認證-Certificación	      

Project	Fixture#	Date
		Firm



Ordering Information

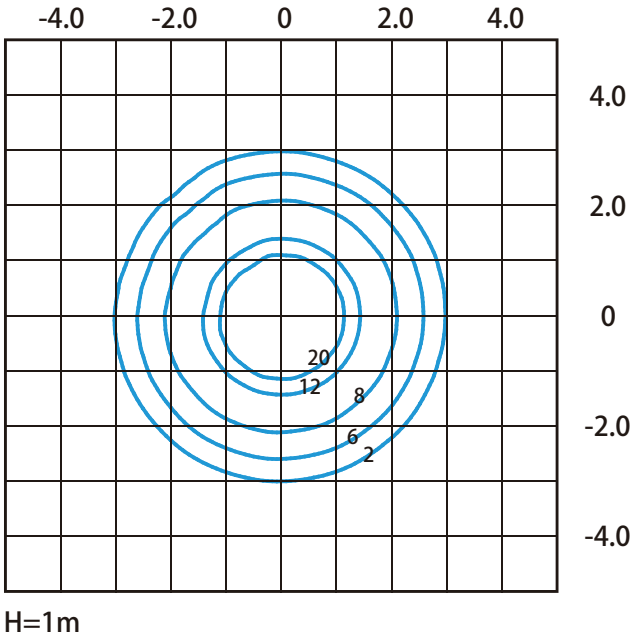
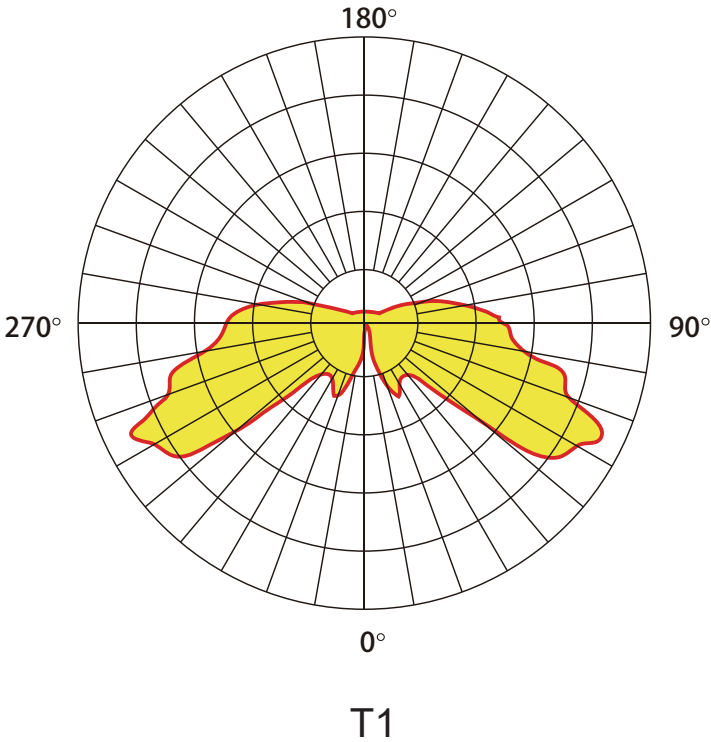
Choose the option that suits your need and write its corresponding code on the appropriate line to form the product code.

Example product code: [BOUSA-20W](#)

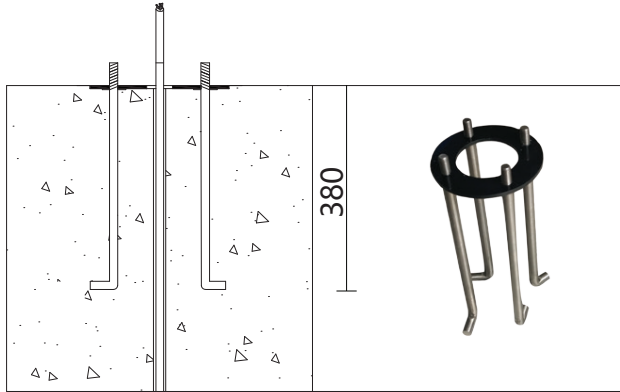
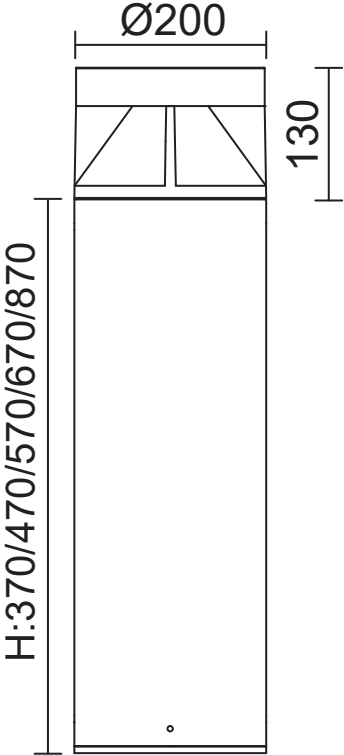
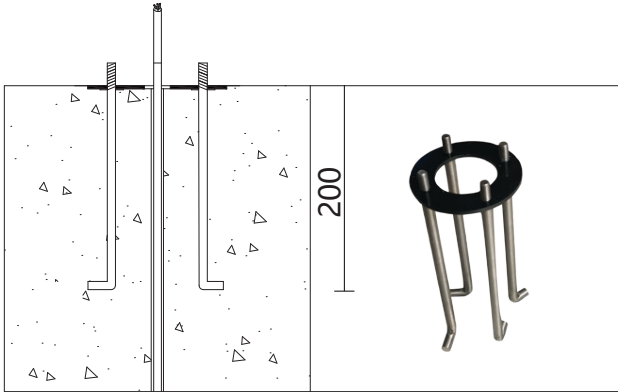
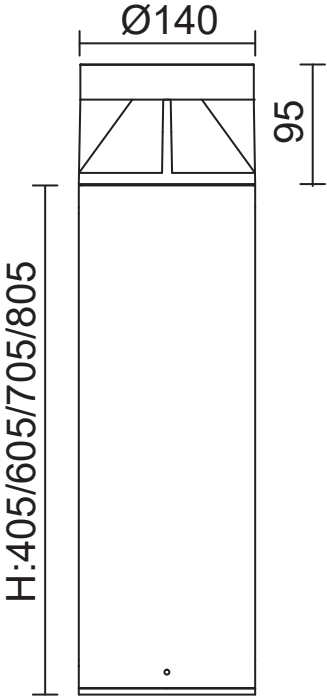
BOUSA - - _____
Power Consumption

Power Consumption	
Code	Description
8W	8W@Dia 140mm
10W	10W@Dia 140mm
12W	12W@Dia 140mm
15W	15W@ Dia 200mm
18W	18W@ Dia 200mm
20W	20W@ Dia 200mm
24W	24W@ Dia 200mm
26W	26W@ Dia 200mm
30W	30W@ Dia 200mm

BEAM ANGLE



Technical Drawing



Unit: mm