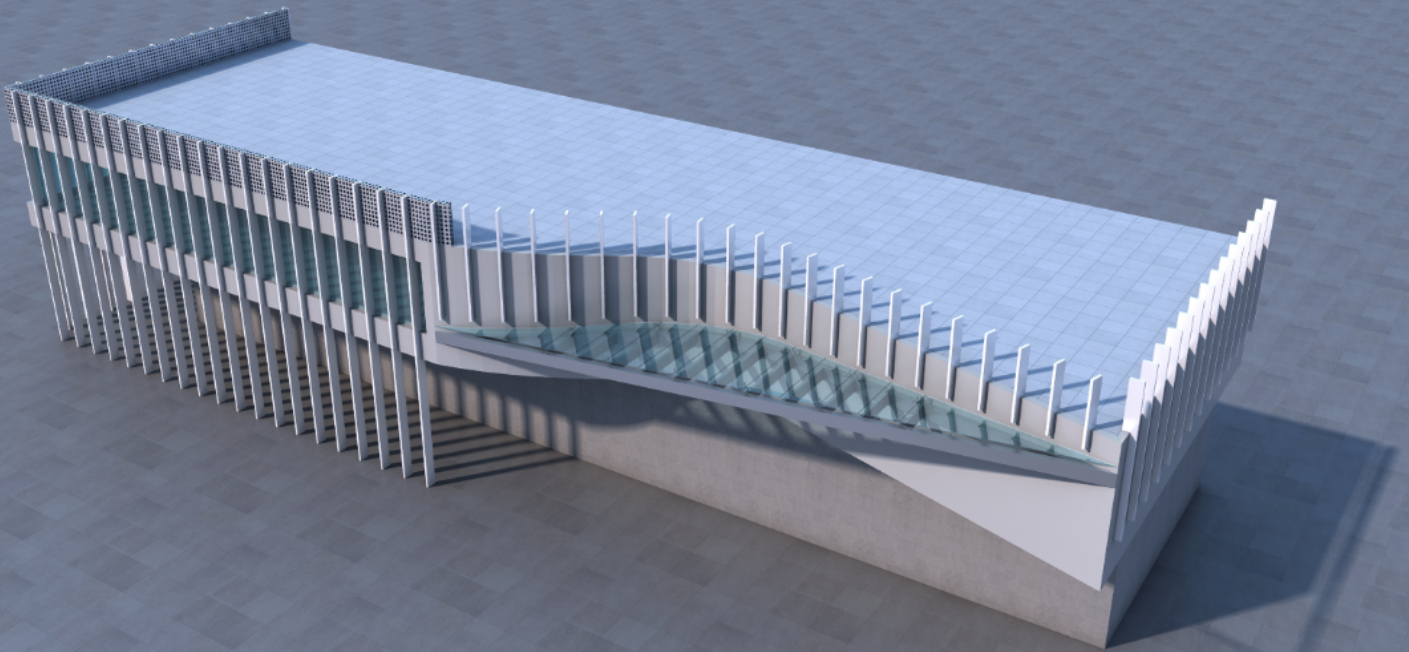


CHLOE @ SKY28



Spider fitting frame-less glass Canopy



- Spider system fitting frame-less glass Canopy Design to Comply below Specification
- Building (Construction) Regulations Chapter 123-1990 ;
- Code of Practice on Wind Effects Hong Kong -2004
- Code of Practice for the structural use of Steel -2011
- Code of Practice for the structural use of Concrete-2004 (2nd Edition)
- Code of Practice for the structural use of Aluminium -BS8118: Part 1:1991
- Practice Note for Authorized person, registered structural engineers and registered geotechnical engineers: BD APP-37 (PNAP 106) Code of Practice for Dead and Imposed loads-2011

Technical Data

Major Material:

- S.S 316 Spider System
- Stainless Steel Hollow section Material Grade:A4-70 comply wiht BS EN ISO 3506-1.
- 12 mm THK Clear Laminated Tempered Glass comply BS 952 Part 1 and BS 6262 , Allowable Stress 50MPa
- Welding comply BS EN 1011-1; BS EN 1011-2; BS EN ISO 15614
- Stainless Steel Fasteners A4-70 comply wiht BS EN ISO 3506-1. Permanent Stain 450Mpa
- Sealants -Dow Corning 795/995/983 or Equivalent Material
- M20 S.S 316 Holding Down Blot Grade A2-70

Tempered Glass color

- Clear
- Dark Grey,
- Euro grey;
- Ocean blue,
- Ford blue,
- Dark blue

Tempered Glass Pattern

Custom-made

Design Basic Wing Pressure

2.04KPa

Color Finishes

Hairline Finish

Certificate



Project	Fixture#	Date
		Firm



Ordering Information

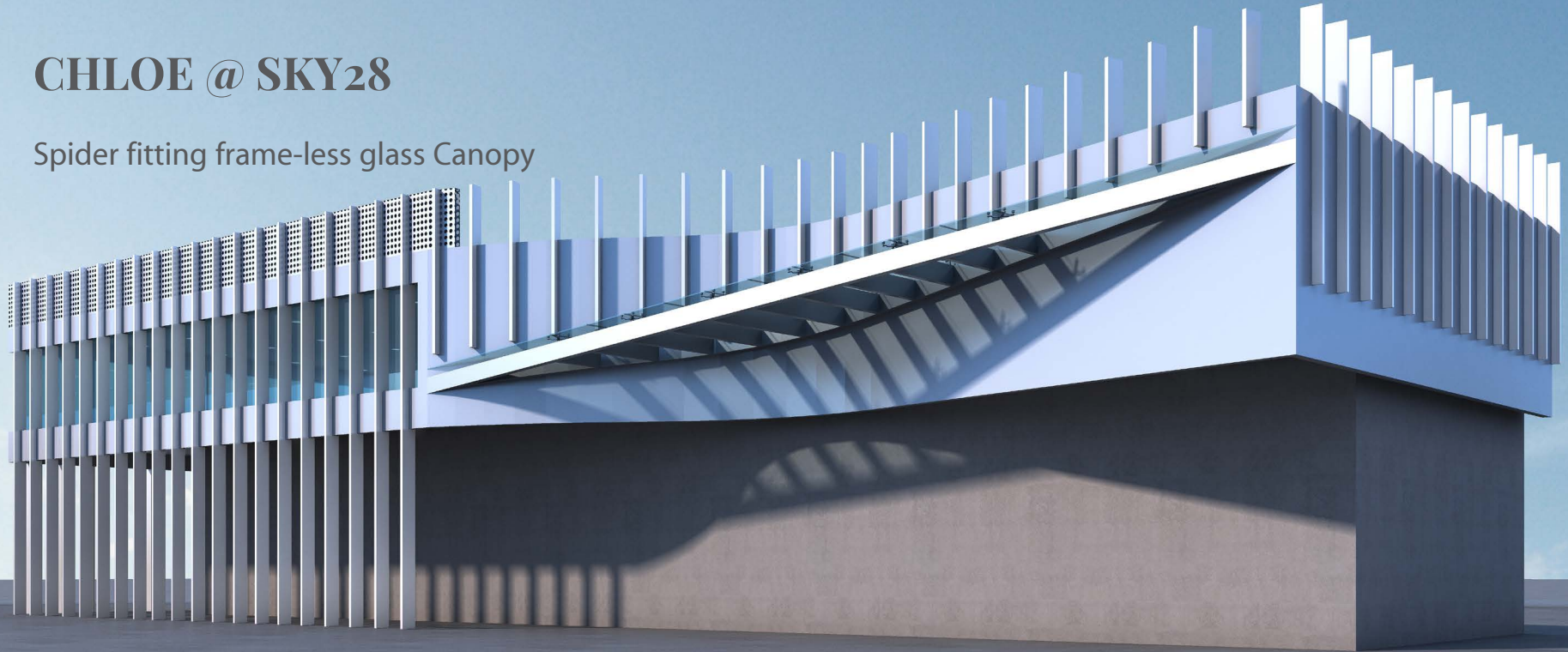
Choose the option that suits your need and write its corresponding code on the appropriate line to form the product code.

Example product code:

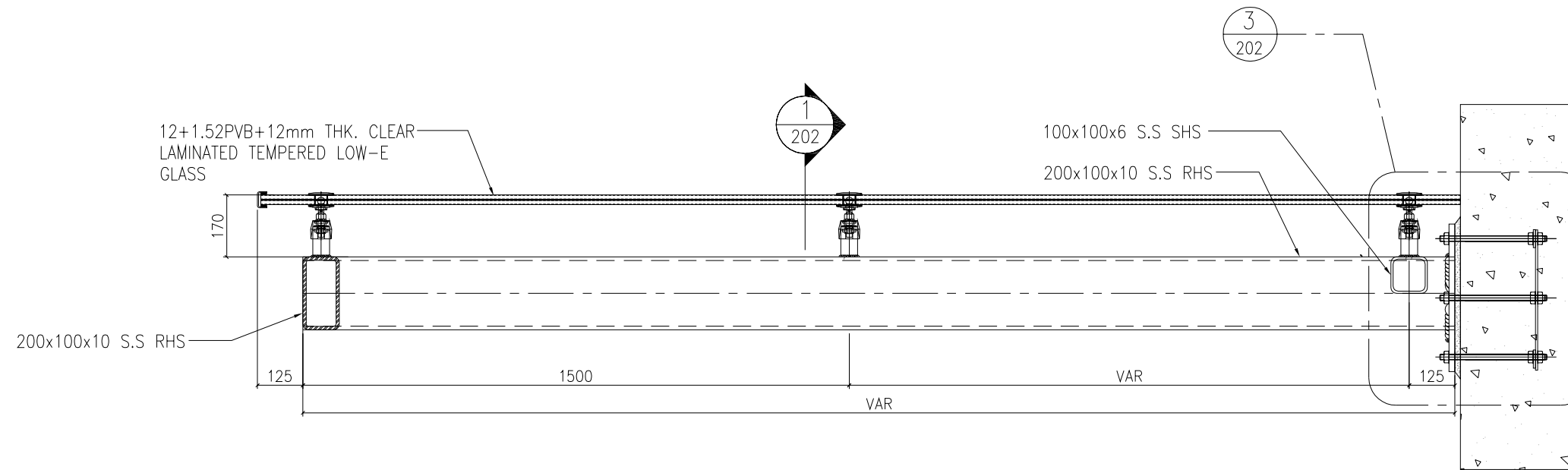
CHLOE@SKY28 -

CHLOE @ SKY28

Spider fitting frame-less glass Canopy



www.dimontechnology.com



A SECTION
SCALE 1:8

Drawing Status :

Ref NO.:

Client
澳門特別行政區政府
GOVERNO DA RAEM
運輸基建辦公室
G.I.T. - Gabinete para as Infra-estruturas de Transportes

Management:

Supplier:

DIMON
Technology

DIMON Technology Ltd.
Tel: 00852-3916 5876
Fax: 00852-21203398
Http://www.dimontechnology.com
E-mail: gary@dimontechnology.com

Project:
新城A區B10地段公共房屋建造工程
EMPREITADA DE CONSTRUÇÃO DE
HABITAÇÃO PÚBLICA

Job Title:
NO LOTE B10 NA NOVA ZONA A

Drawing Name:
GLASS CANOPY SECTION

Drawing NO.: GC-201

Drawing Scale: AS SHOW

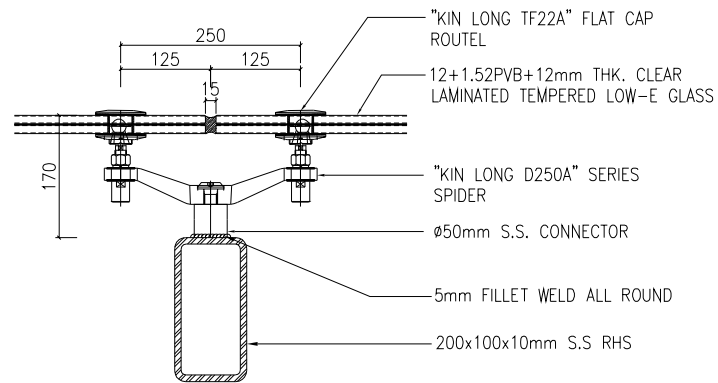
Drawing Date: 2020/10/10

Drawing: Cai

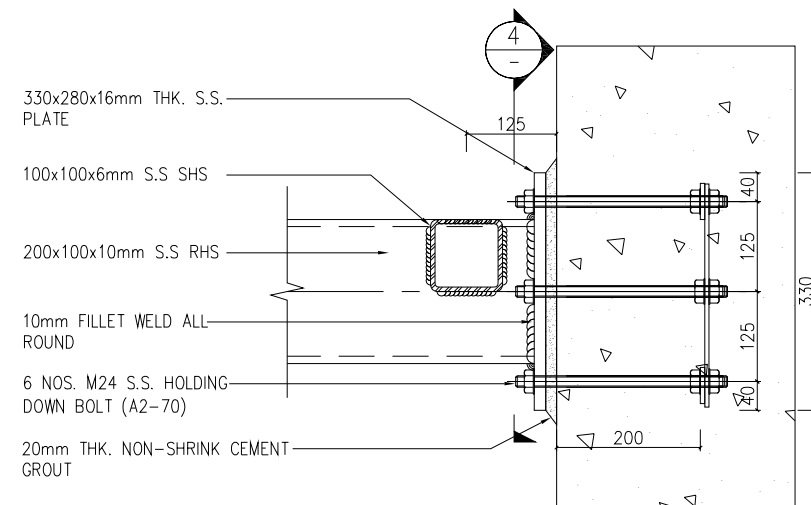
Collate: Joyi

Auditing: Gray Hui

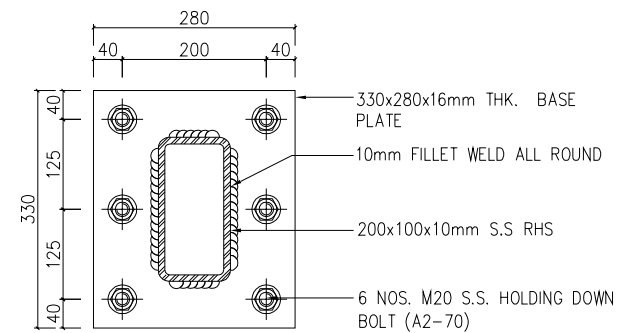
Drawing Version: 0



1 DETAIL
 - SCALE 1:5



3 DETAIL
 - SCALE 1:5



4 DETAIL
 - SCALE 1:5

Drawing Status :

Ref NO.:

Client
 澳門特別行政區政府
 GOVERNO DA RAEM
 運輸基建辦公室
 G.I.T. - Gabinete para as Infra-estruturas de Transportes

Management:

Supplier:

DIMON
 Technology

DIMON Technology Ltd.
 Tel: 00852-3916 5876
 Fax: 00852-21203398
 Http://www.dimontechnology.com
 E-mail:gary@dimontechnology.com

Project:
 新城A區B10地段公共房屋建造工程
 EMPREITADA DE CONSTRUÇÃO DE HABITAÇÃO PÚBLICA

Job Title:
 NO LOTE B10 NA NOVA ZONA A

Drawing Name:
 GLASS CANOPY DETAIL

Drawing NO.: GC-202

Drawing Scale: AS SHOW

Drawing Date: 2020/10/10

Drawing: Cai

Collate: Joyi

Auditing: Gray Hui

Drawing Version: 0