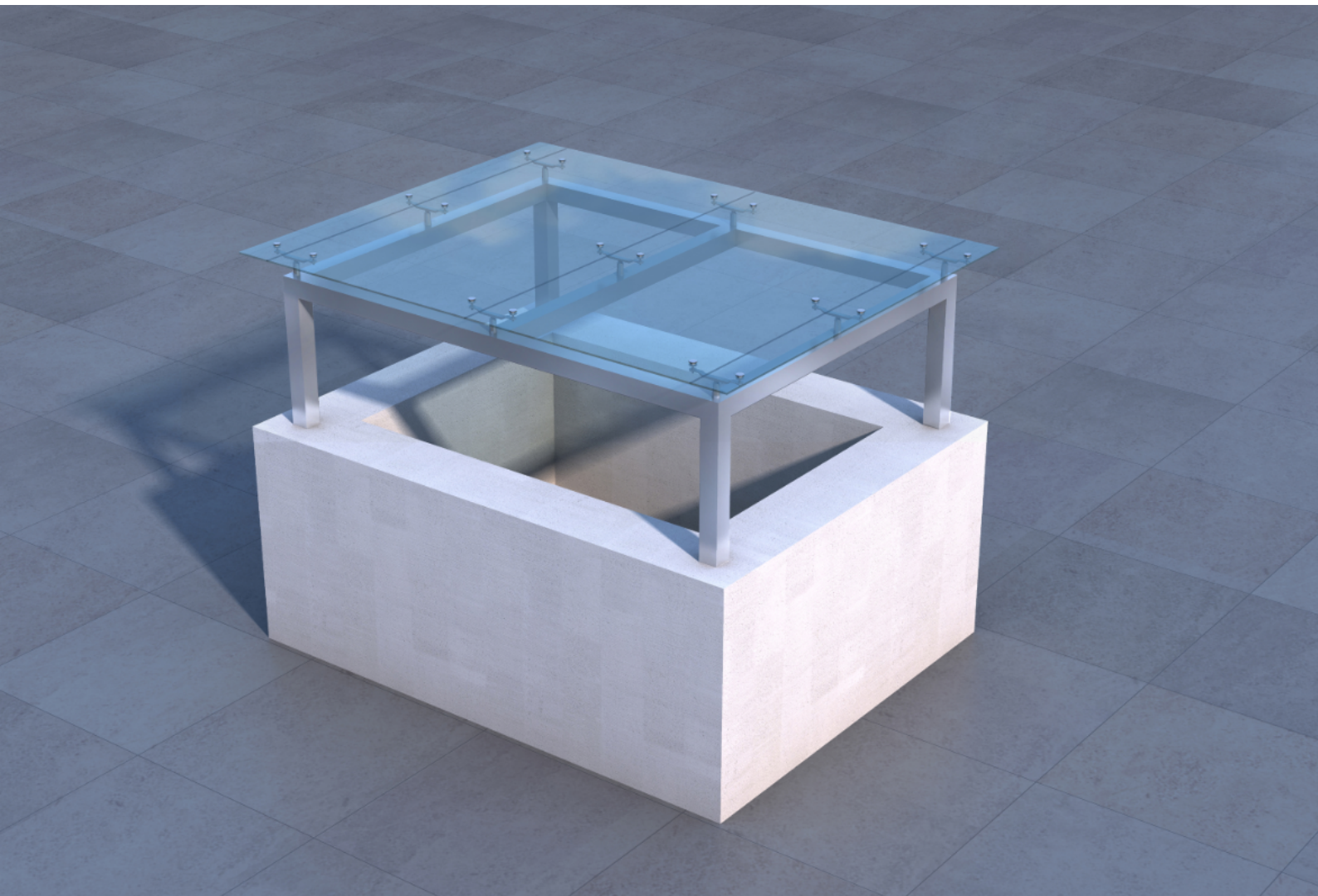


## CHLOE @ SKY38



Spider fitting frame-less glass Canopy



- Spider system fitting frame-less glass Canopy Design to Comply below Specification
- Building (Construction) Regulations Chapter 123-1990 ;
- Code of Practice on Wind Effects Hong Kong -2004
- Code of Practice for the structural use of Steel -2011
- Code of Practice for the structural use of Concrete-2004 (2nd Edition)
- Code of Practice for the structural use of Aluminium -BS8118: Part 1:1991
- Practice Note for Authorized person, registered structural engineers and registered geotechnical engineers: BD APP-37 (PNAP 106) Code of Practice for Dead and Imposed loads-2011

## Technical Data

Major Material:

- S.S 316 Spider System
- Stainless Steel Hollow section Material Grade:A4-70 comply wiht BS EN ISO 3506-1.
- 10 mm THK Clear Laminated Tempered Glass comply BS 952 Part 1 and BS 6262 , Allowable Stress 50MPa
- Welding comply BS EN 1011-1; BS EN 1011-2; BS EN ISO 15614
- Stainless Steel Fasteners A4-70 comply wiht BS EN ISO 3506-1. Permanent Stain 450Mpa
- Sealants -Dow Corning 795/995/983 or Equivalent Material
- M12 SS Holding Down Bolt Grade A2-70

Tempered Glass color

- Clear
- Dark Grey,
- Euro grey;
- Ocean blue,
- Ford blue,
- Dark blue

Tempered Glass Pattern

Custom-made

Design Basic Wing Pressure

2.04KPa

Color Finishes

Hairline Finish

Certificate



Project	Fixture#	Date
		Firm

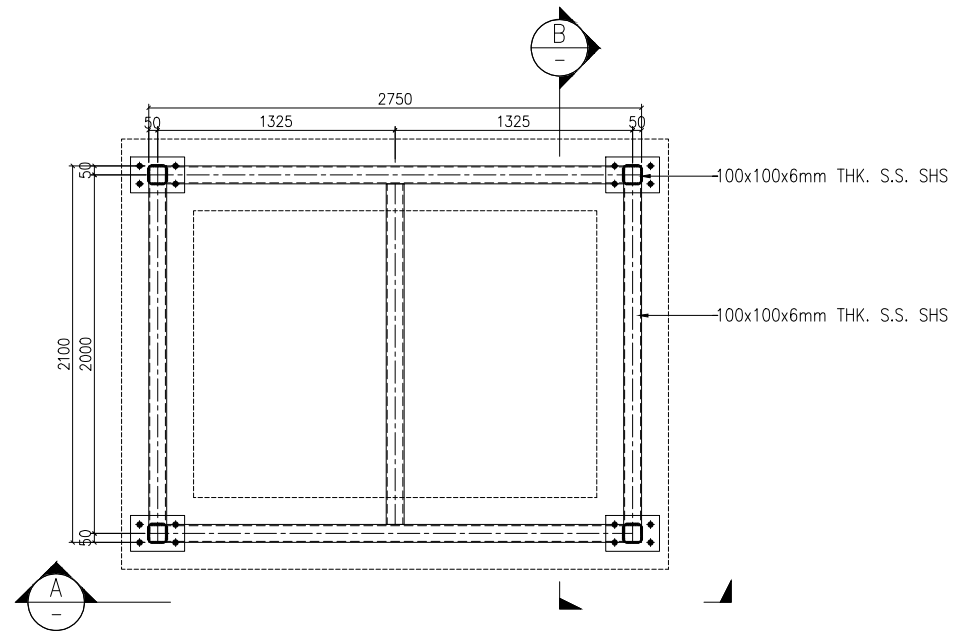


## Ordering Information

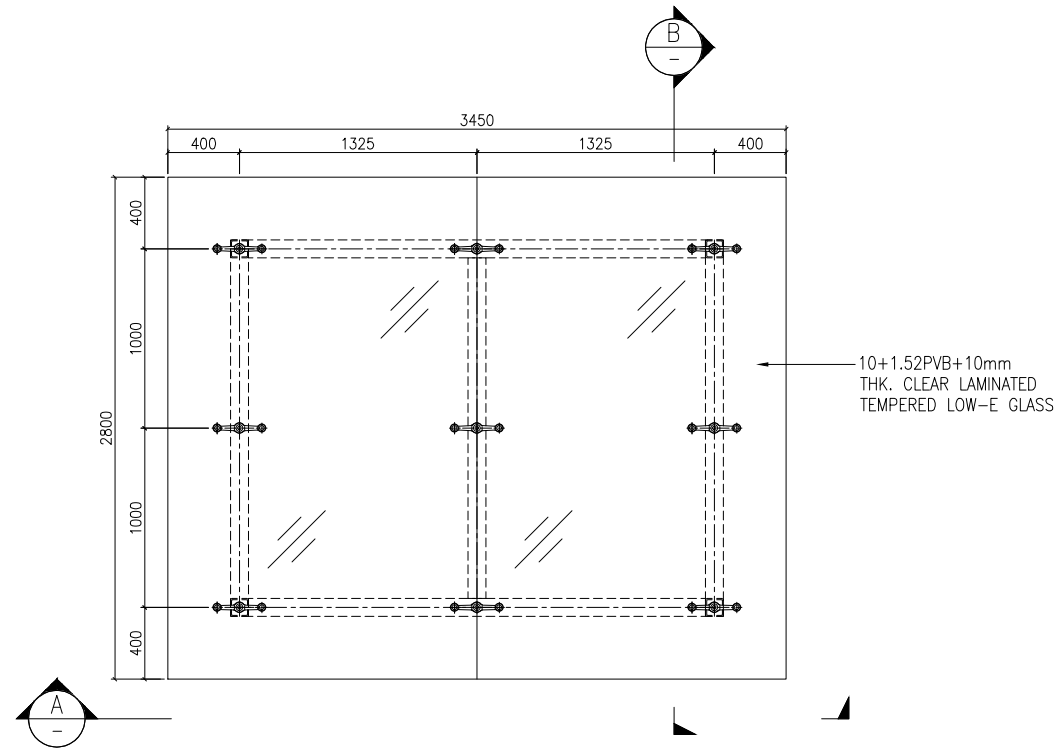
Choose the option that suits your need and write its corresponding code on the appropriate line to form the product code.

Example product code:

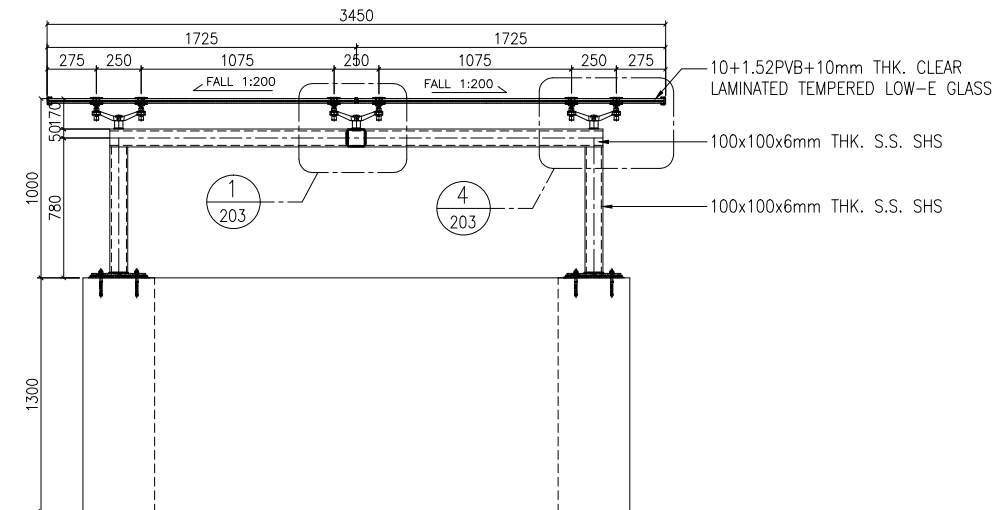
CHLOE@SKY38 -



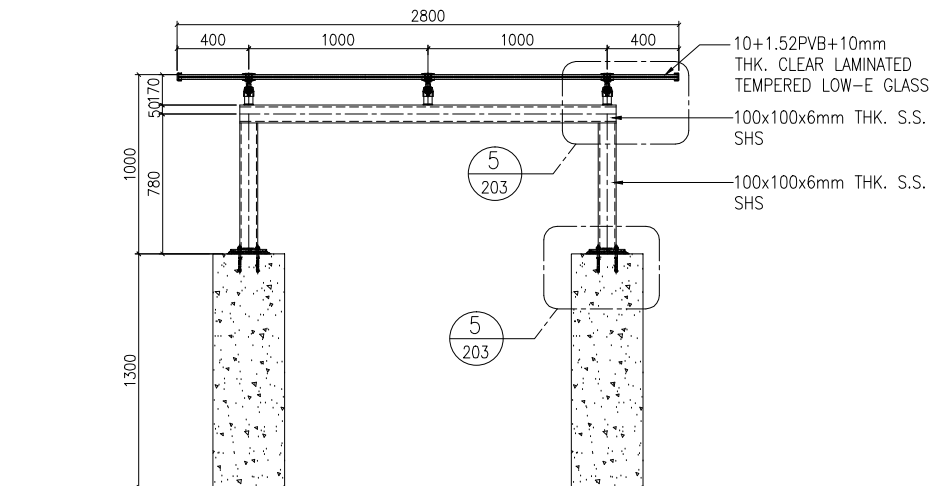
1 STEEL PLAN GLASS CANOPY 1  
SCALE 1:20



2 GLASS PLAN GLASS CANOPY 1  
SCALE 1:20



A GLASS CANOPY 1 ELEVATION  
SCALE 1:20



B GLASS CANOPY 1 SECTION  
SCALE 1:20

Drawing Status :

Ref NO.:

Client

Management :

Supplier :

**DIMON**  
Technology

DIMON Technology Ltd.

Tel: 00852-3916 5876

Fax: 00852-21203398

Http://www.dimontechnology.com

E-mail:gary@dimontechnology.com

Project:

Job Title:

GLASS CANOPY-CHLOE@SKY38

Drawing Name:

PLAN, ELEVATION AND SECTION

Drawing NO.: GC-101

Drawing Scale: AS SHOW

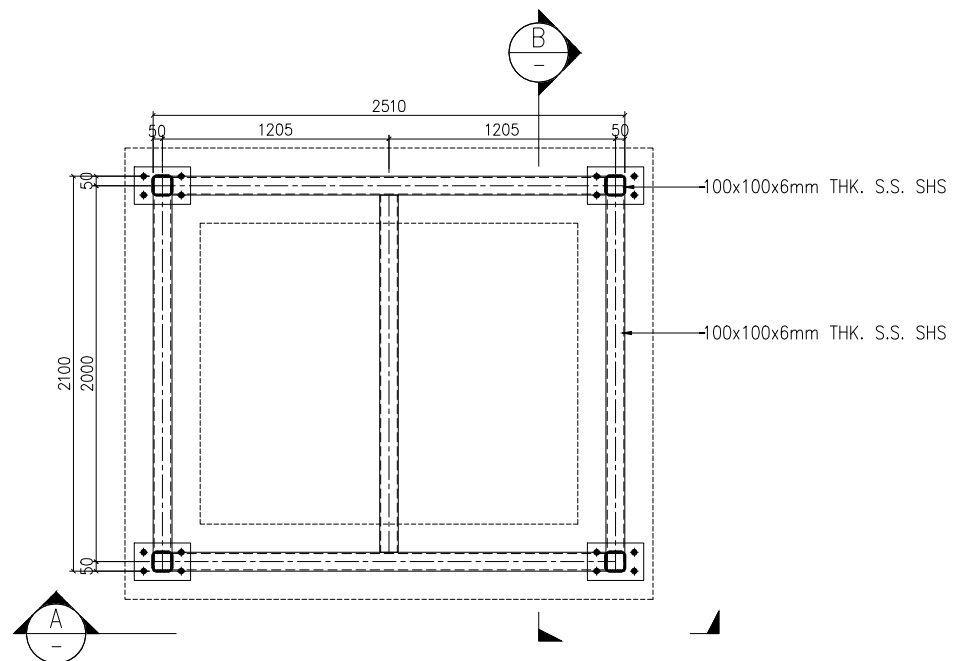
Drawing Date: 2020/10/10

Drawing: Cai

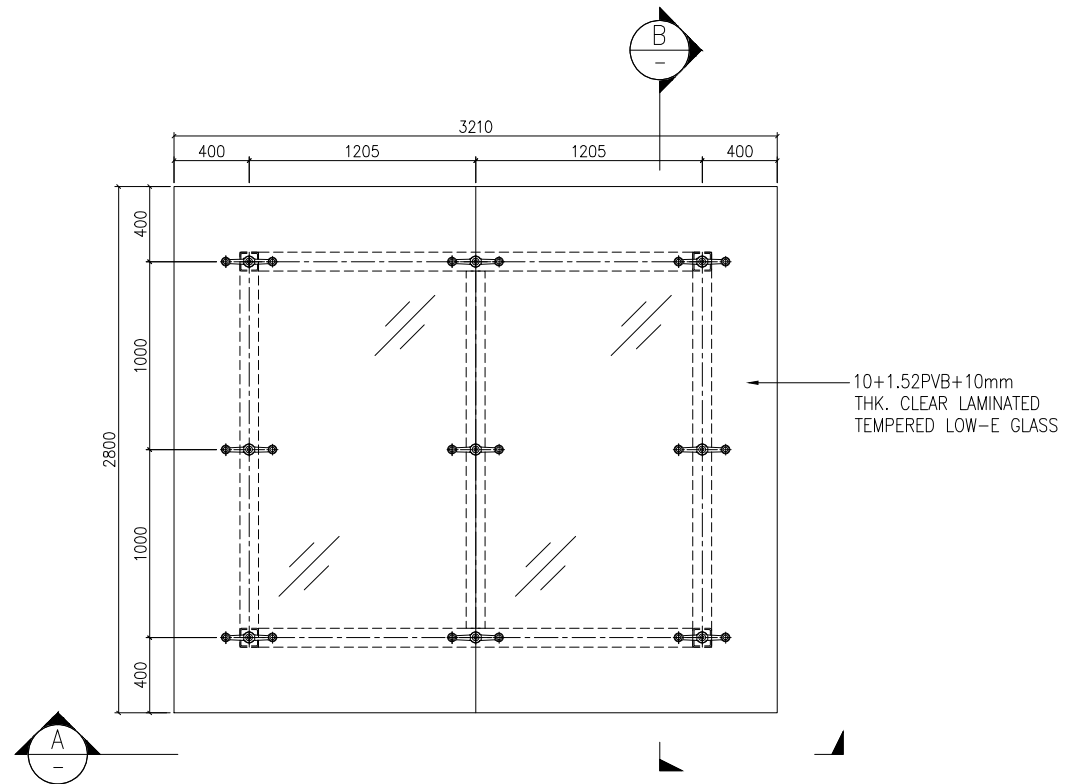
Collate: Joyi

Auditing: Gray Hui

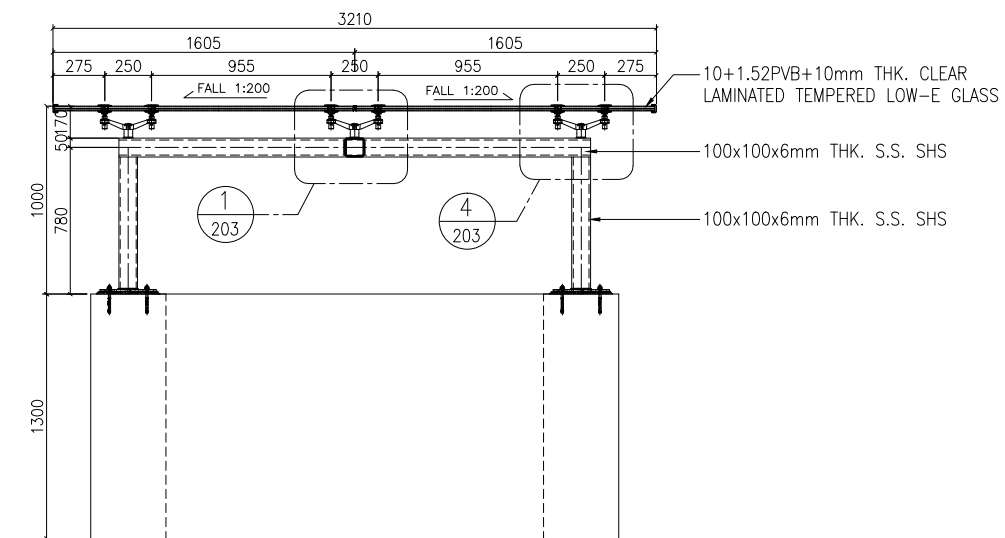
Drawing Version: 0



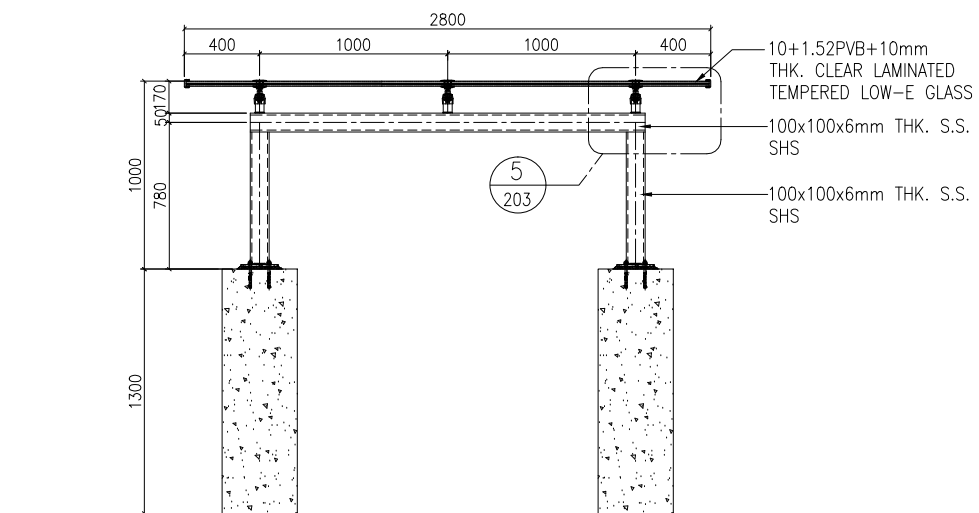
1 STEEL PLAN GLASS CANOPY  
SCALE 1:20



2 GLASS PLAN GLASS CANOPY  
SCALE 1:20



A GLASS CANOPY ELEVATION  
SCALE 1:20



B GLASS CANOPY SECTION  
SCALE 1:20

Drawing Status :

Ref NO.:

Client

Management:

Supplier:

**DIMON**  
Technology

DIMON Technology Ltd.

Tel: 00852-3916 5876

Fax: 00852-21203398

Http://www.dimontechnology.com

E-mail: gary@dimontechnology.com

Project:

Job Title:

GLASS CANOPY-CHLOE@SKY38

Drawing Name:

PLAN, ELEVATION AND SECTION

Drawing NO.: GC-102

Drawing Scale: AS SHOW

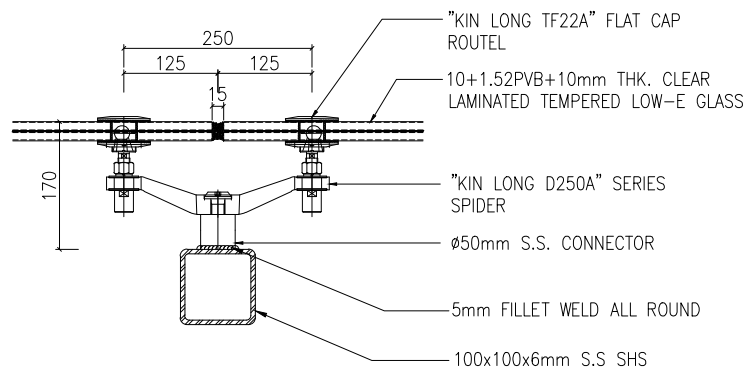
Drawing Date: 2020/10/10

Drawing: Cai

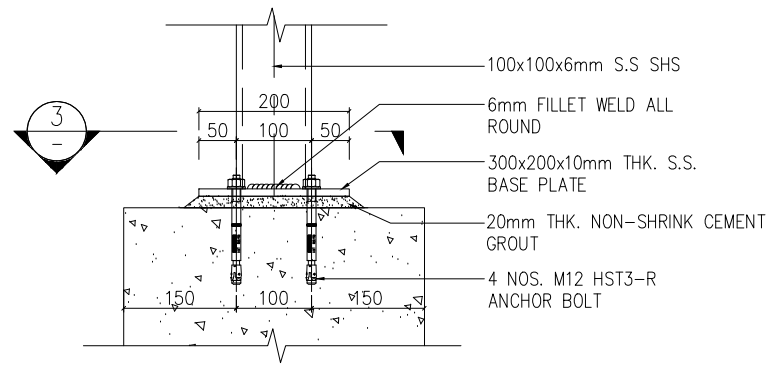
Collate: Joyi

Auditing: Gray Hui

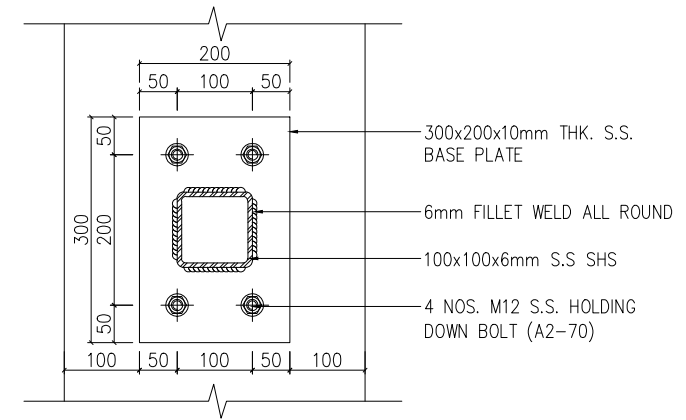
Drawing Version: 0



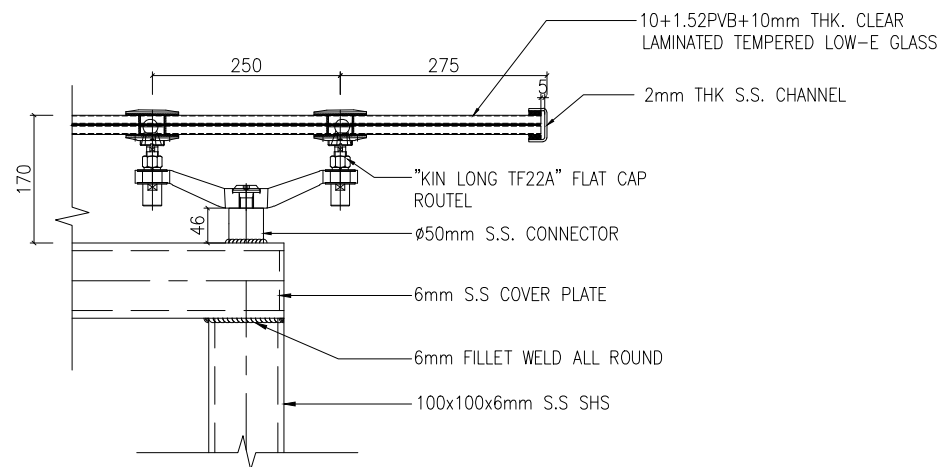
1  
-  
DETAIL  
SCALE 1:5



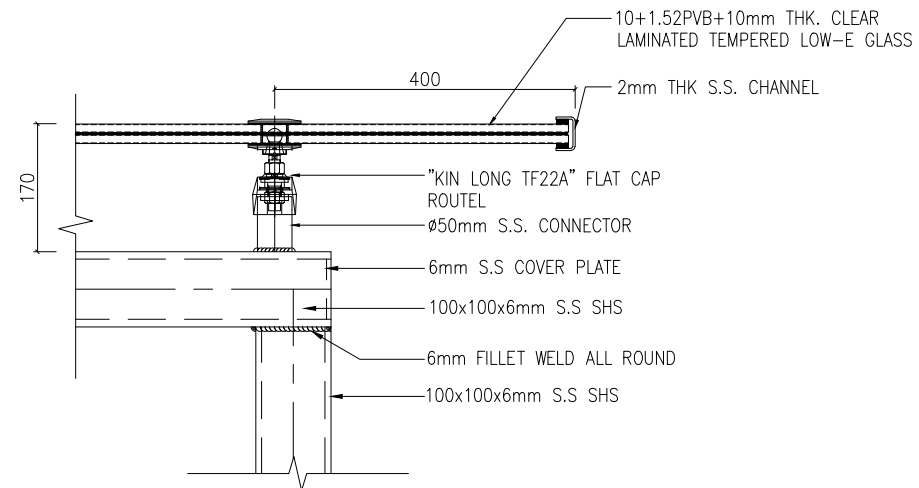
2  
-  
DETAIL  
SCALE 1:5



3  
-  
DETAIL  
SCALE 1:5



4  
-  
DETAIL  
SCALE 1:5



5  
-  
DETAIL  
SCALE 1:5

Drawing Status :

Ref NO.:

Client

Management:

Supplier:

**DIMON**  
Technology

DIMON Technology Ltd.

Tel: 00852-3916 5876

Fax: 00852-21203398

Http://www.dimontechnology.com

E-mail: gary@dimontechnology.com

Project:

Job Title:

GLASS CANOPY-CHLOE@SKY38

Drawing Name:

GLASS CANOPY DETAIL

Drawing NO.: GC-203

Drawing Scale: AS SHOW

Drawing Date: 2020/10/10

Drawing: Cai

Collate: Joyi

Auditing: Gray Hui

Drawing Version: 0