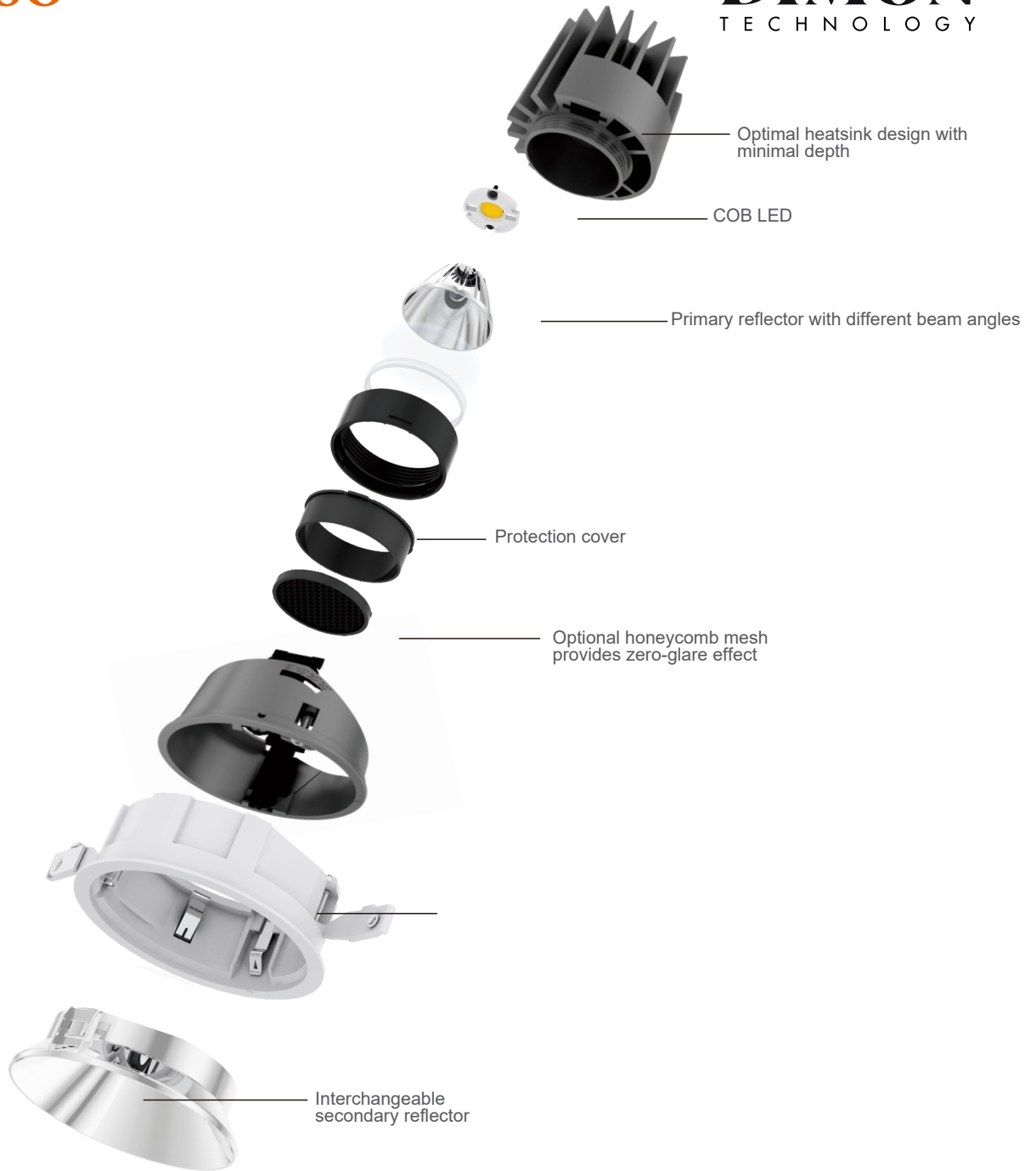


**DENSO-X**

D 64~104mm 5W~30W










Housing: die-cast aluminium, powder-coated, Anti-glare reflector , Multi-Optical System with Precise angle alignment,Optional honeycomb mesh provides zero-glare effect, Interchangeable secondary reflector for Aesthetic design for architectural request. Ultra-narrow trim design leaves no flange between the secondary reflector and trim,meeting neat ceiling requirement. 30° tilt and 355° rotation



## Technical Data

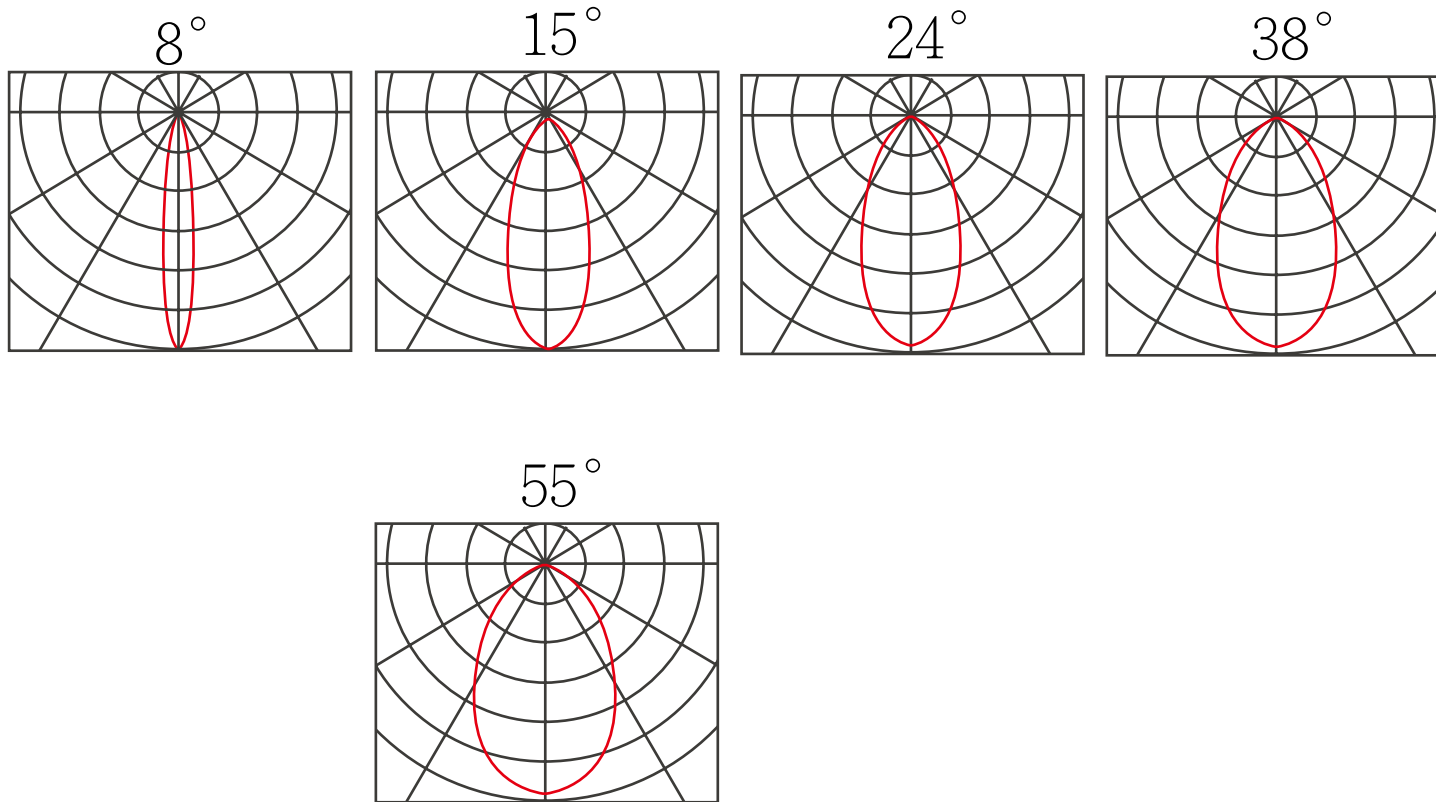
Luminaire Type-安裝方式Tipo de luminaria

Recessed Mount Type : Tilted-Angle- Type (30° tilt and 355° rotation) ,  
 嵌入式筒燈 : 可調角度類型 (上下調角30° 和355° 旋轉) ,

Dimension-尺寸-Dimensión Cut off Dimension-開孔尺寸-Cortar Dimensión	<ul style="list-style-type: none"> <li>• DIA 64 x H: 76mm      Cut off: Dia 55 mm</li> <li>• DIA 64 x H: 86mm      Cut off: Dia 55 mm</li> <li>• DIA 84 x H: 77mm      Cut off: Dia 75 mm</li> <li>• DIA 84 x H: 87mm      Cut off: Dia 75 mm</li> <li>• DIA 84 x H: 101mm     Cut off: Dia 75 mm</li> <li>• DIA 104 x H: 103mm    Cut off: Dia 95 mm</li> <li>• DIA 104 x H: 113mm    Cut off: Dia 95 mm</li> </ul>
Input Voltage-輸入電壓-Voltaje de entrada	AC220-240V 50/60HZ or Refer to LED Driver data sheet
Power Consumption Max-燈具功率 Consumo de energía Max	<ul style="list-style-type: none"> <li>• DIA 64 x H: 76mm    : 5W    7W</li> <li>• DIA 64 x H: 86mm    : 8W    10W</li> <li>• DIA 84 x H: 77mm    : 8W</li> <li>• DIA 84 x H: 87mm    : 10W   12W</li> <li>• DIA 84 x H: 101mm   : 15W   18W   20W</li> <li>• DIA 104 x H: 103mm : 15W   18W   20W</li> <li>• DIA 104 x H: 113mm : 22W   25W   30W</li> </ul>
LED Driver Type LED驅動款式 Tipo de controlador LED	Remote-type LED Driver--Refer to LED driver specification 請參閱LED驅動器規格 Consulte la especificación de controlador de LED 1. ON/OFF Switch AC220-240V 50/60HZ 2. ELV Dimming Driver (5-100%) AC220-240V 50/60HZ 3. 0-10V Dimming Driver AC220-240V 50/60HZ 4. Dali Dimming Driver AC220-240V 50/60HZ 5. DMX Driver AC220-240V 50/60HZ 6. RDM Driver AC220-240V 50/60HZ 7. Emergency Backup >2 hours or >3 hours @ < 12 charger hours 應急電池/Copia de seguridad de emergencia
LED Driver Features 驅動特性: Funciones del controlador de LED	POWER FACTOR : PF>0.90 @ Full Load TOTAL HARMONIC DISTORTION: THD< 20% / LIFE HOUR : 50,000 Hours
Control Protocol-控制協議 Protocolo de Control	1-10V / Dali / DMX 512 / RDM / ZIGBEE Wireless Control
Beam Angle 光束角 ángulo de haz	8° 15° 24° 38° 55°
Light Source 光源-Fuente de luz de marca	OSRAM COB Array - ( Photobiological safety-IEC 62471 'Risk Group 1' (low risk) )
"Lumen Maintenance LM-80 Reported by TM-21"	L70> 54,000 hrs
LED Life-LED壽命-La vida del LED	>60,000 hours
Color Temperature -色溫-Temperatura del color	2700K / 3000K / 3500K / 4000K / 5000K / 6500K
Color Rendering Index-顯色指數 Índice de reproducción cromática	> 90
MacAdam Ellipses Binning 麥克亞當橢圓分級 Mac Adam binning elipse	Standard Deviation Colour Matching < 3 SDCM 標準偏差配色< 3 SDCM Coincidencia de color estándar Desviación < 3 SDCM
Luminaire Efficacy 燈具效率 La eficacia de la luminaria	90 Lm/w(2700K), 90 Lm/w(3000K), 100 Lm/w(3500K), 100 Lm/w(4000K), 100Lm/w(5000K), 100Lm/w(6500K),
LED Source Luminous Efficacy LED光源光效 Fuente luminosa LED Eficacia	130 Lm/w(2700K), 130Lm/w(3000K), 140 Lm/w(3500K), 140 Lm/w(4000K), 140Lm/w(5000K), 140Lm/w(6500K),
Housing materials-外殼材料 Materiales de la carcasa	Die-cast aluminum and acrylic and polycarbonate reflector 壓鑄鋁, 亞克力 PC反射器
Trim Color-框邊顏色-Estilo Color	Matte white / Matte black 啞光白色 / 啞光黑色 Blanco mate / Matte black
Reflector Color-反光杯顏色-Reflector color	Specular 亮銀 De espejo / Dark Specular 亮黑Espejular oscuro / Chrome Black 鎳黑 Cromo negro / White 白色 Blanco / Matt Sliver 啞銀 Plata mate / Black 黑色 Negro / Gold 金色 Oro Matte Black 啞黑 / Matte White 啞白
Ingress Protection-防護等級 Protección de ingreso	IP20 IP44
Operating Humidity -工作濕度 Humedad de funcionamiento	0~90%, non-condensing-不結霜 sin condensación
Operating Temperature Range / 工作溫度範圍 Rango de temperatura de funcion amiento	-30 °C / +50 °C
Comply Testing Standard符合測試標準 Cumplir el estándar de prueba	LED Luminaires: IEC/EN 60598-1 ; IEC/EN 60598-2-2 ; IEC/ EN62493 ; IEC/EN 62301 ; IEC TR 62778 & IEC 62471 ;ROHS LED Driver: EN 55015 / IEC 61000-3-2 / IEC 61347-1 / IEC 61347-2-13 / IEC 61547 / IEC 62384
Certification-認證-Certificación	      

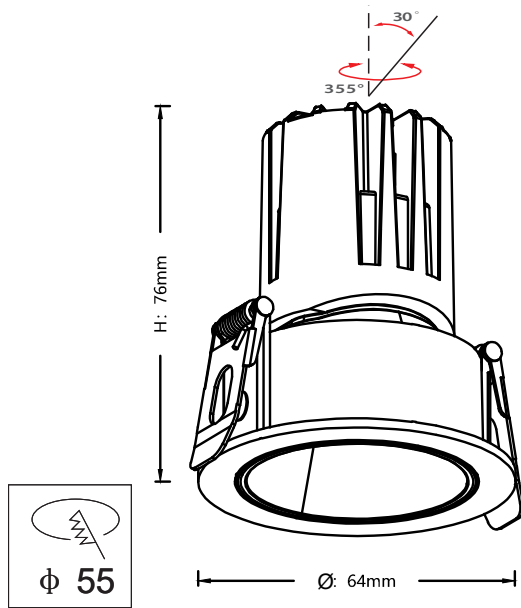


# BEAM ANGLE

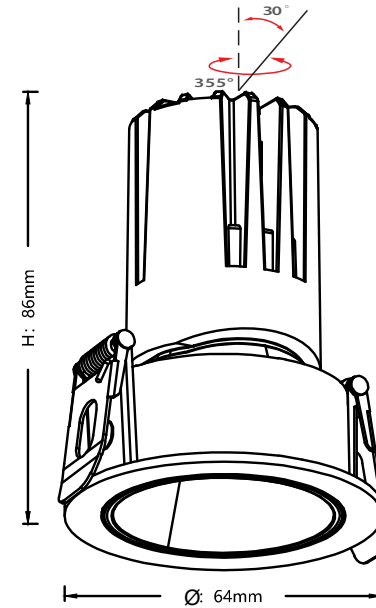


# Technical Drawing

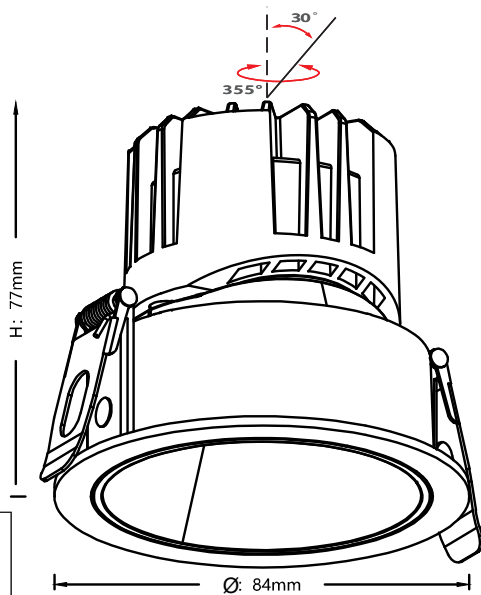
Unit: mm



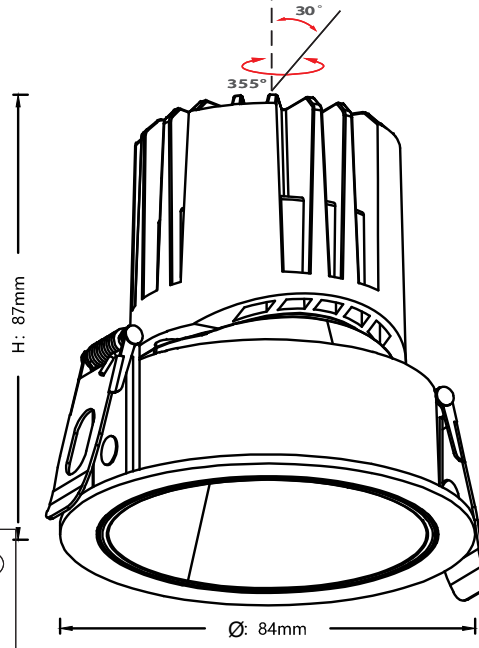
5-7W



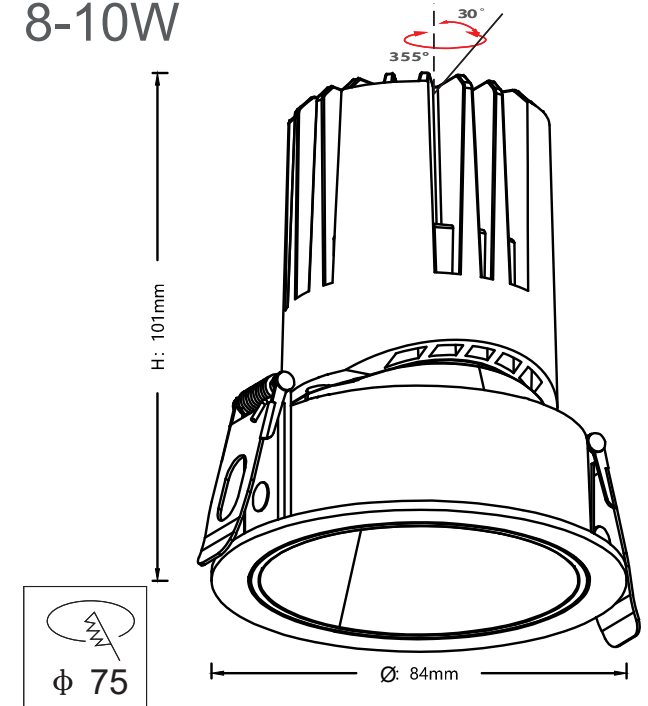
8-10W



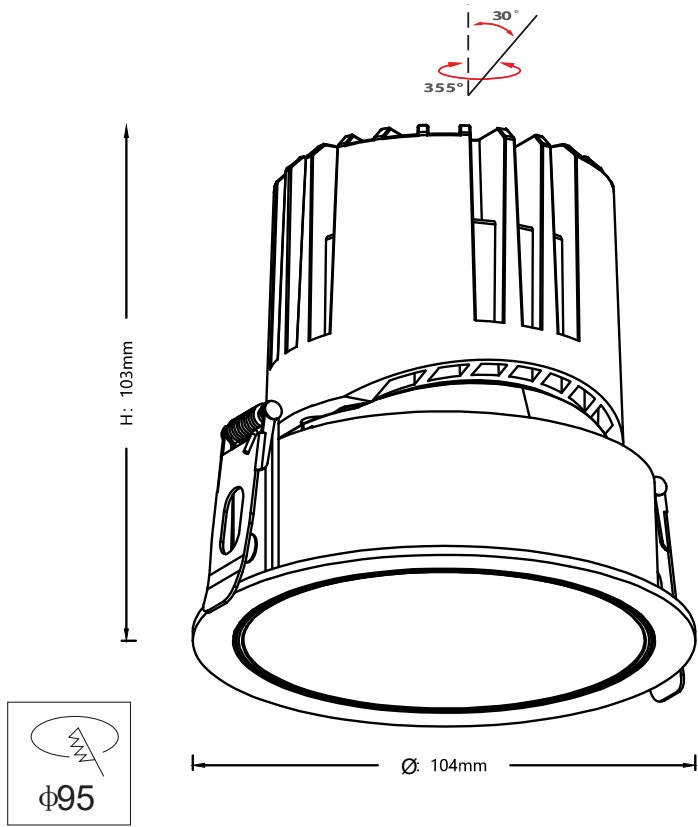
7-8W



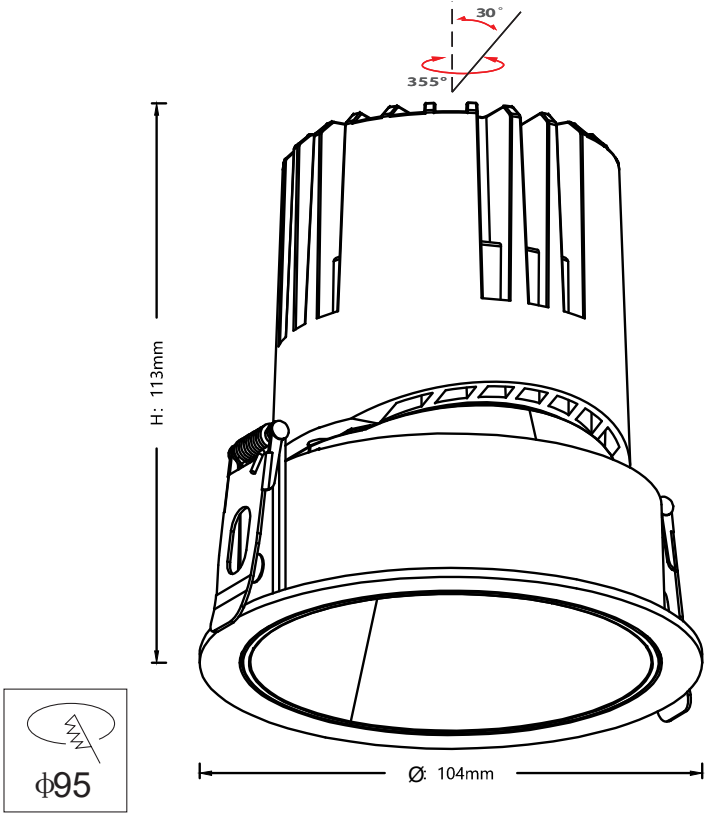
10-12W



15-20W



18-20W



22-30W

Unit: mm