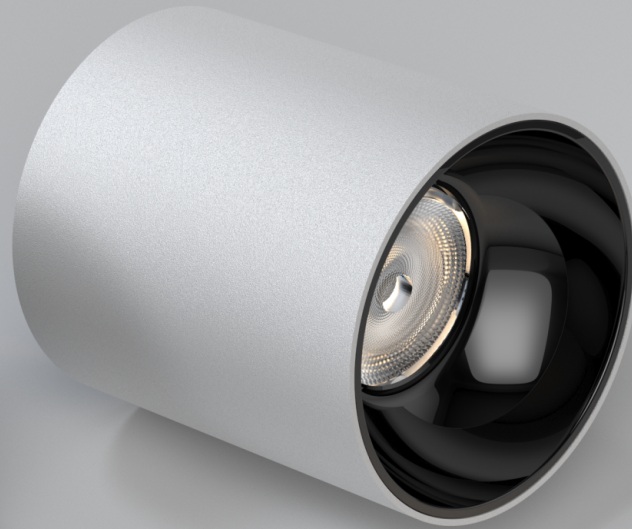



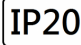




DETON

D75 to 205mm 7- 80W



Housing: die-cast aluminium with powder-coated, with Optical Lens and Anti-glare reflector
LED module: high-power CREE LEDs Array, CRI>90, LM-80 performance approval >60,000 hours.
Integrated-Type 0-10V, DALI, LED constant current control gear.

Technical Data

Luminaire Type-安裝方式Tipo de luminaria	Surface Mounted Type明裝式燈具Superficie Tipo Montado
Dimension-尺寸-Dimensión	<ul style="list-style-type: none"> • Dia 75 x H: 152mm • Dia 95 x H: 152mm • Dia 115 x H: 152mm • Dia 142 x H: 162mm • Dia 170 x H: 182mm • Dia 205 x H: 212mm
QTY of LEDs-燈珠數量-CANT de LEDs	COB LED Array
Power Consumption Max-燈具功率 Consumo de energía Max	<ul style="list-style-type: none"> • Dia 75 x H: 152mm : 12W 15W • Dia 95 x H: 152mm : 18W 20W • Dia 115 x H: 152mm : 22W 25W • Dia 140 x H: 162mm : 32W 40W • Dia 170 x H: 182mm : 45W 50W • Dia 205 x H: 212mm : 60W 70W
	AC 220-240V 50/60HZ
Input Voltage-輸入電壓-Voltaje de entrada	
LED Driver Type LED驅動款式 Tipo de controlador LED	Integrated-type LED Driver--Refer to LED driver specification 請參閱LED驅動器規格 Consulte la especificación de controlador de LED 1. ON/OFF Switch AC100-240V 50/60HZ 2. 0-10V Dimming Driver AC100-240V 50/60HZ 3. Dali Dimming Driver AC100-240V 50/60HZ 4. DMX Driver AC100-240V 50/60HZ
LED Driver Features-驅動特性 Funciones del controlador de LED	POWER FACTOR : PF>0.90 @ Full Load TOTAL HARMONIC DISTORTION: THD< 20%
Control Protocol-控制協議 Protocolo de Control	0-10V / Dali / DMX 512 / RDM / ZIGBEE Wireless Control
Beam Angle 光束角 ángulo de haz	20° 40° 60°
Light Source Brand-光源品牌-Fuente de luz de marca	OSRAM (Photobiological safety-IEC 62471 'Risk Group 1' (low risk))
"Lumen Maintenance LM-80 Reported by TM-21"	L70(10k) > 54,000 hrs
LED Life-LED壽命-La vida del LED	>60,000 hours
Color Temperature -色溫 Temperatura del color	2700K / 3000K / 4000K / 5000K / 6500K
Color Rendering Index-顯色指數 Índice de reproducción cromática	> 90
MacAdam Ellipses Binning 麥克亞當橢圓分級 Mac Adam binning elipse	Standard Deviation Colour Matching < 3 SDCM 標準偏差配色< 3 SDCM Coincidencia de color estándar Desviación < 3 SDCM
Luminaire Efficacy 燈具效率 La eficacia de la luminaria	85 Lm/w(2700K), 90 Lm/w(3000K), 90 Lm/w(4000K), 100 Lm/w(5000K), 100 Lm/w(6500K),
LED Source Luminous EfficacyLED光源光效 Fuente luminosa LED Eficacia	130 Lm/w(2700K), 140 Lm/w(3000K), 150 Lm/w(4000K), 150 Lm/w(5000K), 150 Lm/w(6500K)
Housing materials-外殼材料 Materiales de la carcasa	Die-cast aluminum and Polycarbonate diffuser 壓鑄鋁和PC 擴散器 Aluminio fundido a presión y difusor de policarbonato
Housing Color 外殼顏色 color de la carcasa	Powder Coating :Matte white / Matte Black 粉末塗料: 啞光白色 / 啞光黑色 Recubrimiento en Polvo: Blanco mate / Negro mate
Reflector Color-反光杯顏色-Reflector color	Black 黑色 Negro White 白色 Blanco Bright Silver 亮銀 Champagne gold 香檳金
Ingress Protection-防護等級 Protección de ingreso	IP20 in back / IP65 in front 背部防護等級 IP20 / 正面防護等級 IP65
Operating Temperature Range / 工作溫度範圍 Rango de temperatura de función ambiente	-30 °C / +50 °C
Operating Humidity -工作濕度 Humedad de funcionamiento	0~90%, non-condensing-不結霜 sin condensación
Comply Testing Standard 符合測試標準 Cumplir el estándar de prueba	LED Luminaires: IEC/EN 60598-1 ; IEC/EN 60598-2-1 ; IEC/ EN62493 ; IEC/EN 62301 ; IEC TR 62778 & IEC 62471 (RG0) LED Driver: IEC 55015 / IEC 61000-3-2 / IEC 61347-1 / IEC 61347-2-13 / IEC 61547
Certification-認證-Certificación	     

Project	Fixture#	Date
		Firm

Ordering Information

Choose the option that suits your need and write its corresponding code on the appropriate line to form the product code.

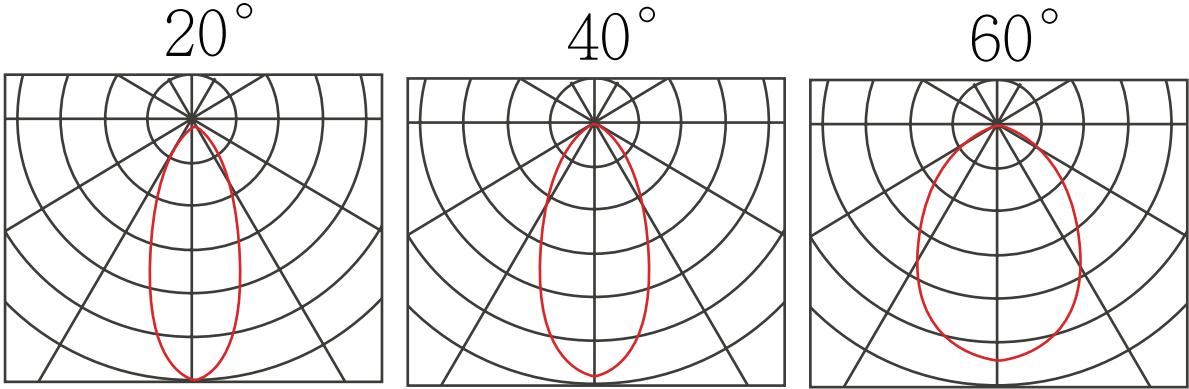
Example product code: [DETON-12W](#)

DETON - - _____
Power Consumption

Power Consumption	
Code	Description
12W	12W @ Dia 75 x H: 152mm
15W	15W @ Dia 75 x H: 152mm
18W	18W @ Dia 95 x H: 152mm
20W	20W @ Dia 95 x H: 152mm
22W	22W @ Dia 115 x H:152mm
25W	25W @ Dia 115 x H:152mm
32W	32W @ Dia 140 x H: 162mm
40W	40W @ Dia 140 x H: 162mm
45W	45W @ Dia 170 x H: 182mm
50W	50W @ Dia 170 x H: 182mm
60W	60W @ Dia 205 x H: 212mm
70W	70W @ Dia 205 x H: 212mm

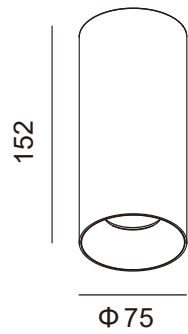


BEAM ANGLE

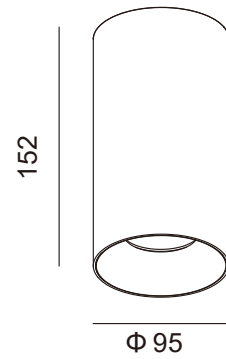


Technical Drawing

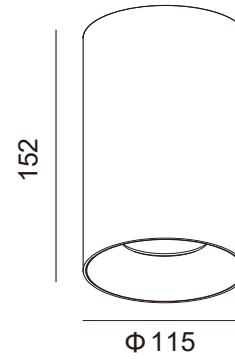
15W Max



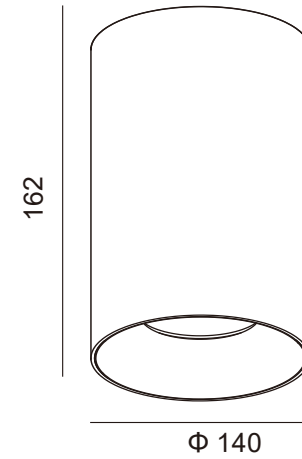
20W Max



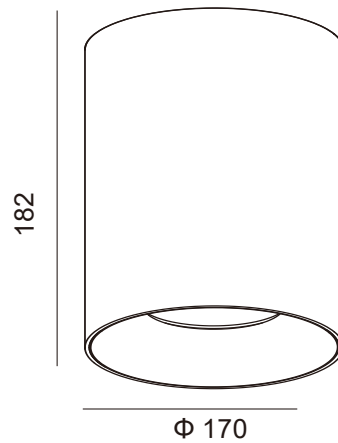
30W Max



40W Max



50W Max



70W Max

