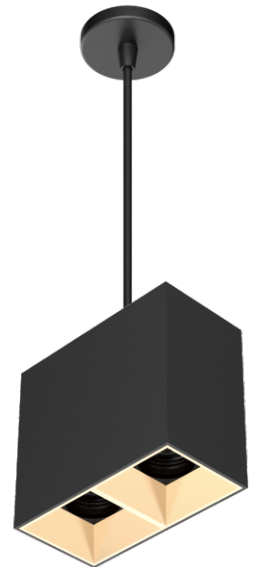
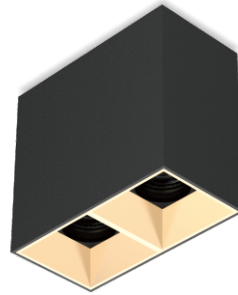


**DONKY BRICK**

6-26W IP20



**FRONT RING ACCESSORY**



Honeycomb mesh

**SECONDARY REFLECTOR**



Specular



Chrome Black White



Matt




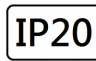



Black



Gold

- Housing: die-cast aluminium with powder-coated,
- with Optical Lens and Anti-glare reflector LED module:
- high-power CREE LEDs Array, CRI>90, LM-80 performance approval >60,000 hours.
- Integrated-Type 1-10V, DALI, LED constant current control gear.

## Technical Data

Luminaire Type-安裝方式Tipo de luminaria	Surface Mounted Type明裝式燈具Superficie Tipo Montado
Dimension-尺寸-Dimensión	L: 45 x W 45 x H: 101 mm    L: 69 x W 69 x H: 121 mm    L: 69 x W 69 x H: 133 mm
QTY of LEDs-燈珠數量-CANT de LEDs	1 pcs CREE LED Array
Power Consumption Max-燈具功率 Consumo de energía Max	<ul style="list-style-type: none"> <li>• L: 45 x W 45 x H: 101 mm: 6W</li> <li>• L: 69 x W 69 x H: 121 mm: 9W    13W</li> <li>• L: 69 x W 69 x H: 133 mm: 18W    26W</li> </ul>
Input Voltage-輸入電壓-Voltaje de entrada	AC220-240V 50/60HZ
LED Driver Type LED驅動款式 Tipo de controlador LED	Integrated-type LED Driver--Refer to LED driver specification 請參閱LED驅動器規格 Consulte la especificación de controlador de LED 1. ON/OFF Switch AC100-240V 50/60HZ 2. 1-10V Dimming Driver AC100-240V 50/60HZ 3. Dali Dimming Driver AC100-240V 50/60HZ
LED Driver Features驅動特性 Funciones del controlador de LED	POWER FACTOR : PF>0.90 or PF >0.95 TOTAL HARMONIC DISTORTION: THD< 20% Refer to LED Driver data sheet
Control Protocol-控制協議 Protocolo de Control	1-10V / Dali
Beam Angle 光束角 ángulo de haz	18°    24°    30°    55°
Light Source Brand-光源品牌-Fuente de luz de marca	CREE
"Lumen Maintenance LM-80 Reported by TM-21"	L70(10k) > 60,000 hrs
LED Life-LED壽命-La vida del LED	>60,000 hours
Color Temperature -色溫 Temperatura del color	2700K / 3000K / 4000K / 5000K / 6500K
Color Rendering Index-顯色指數 Índice de reproducción cromática	> 90
MacAdam Ellipses Binning 麥克亞當橢圓分級 Mac Adam binning ellipse	Standard Deviation Colour Matching < 3 SDCM 標準偏差配色< 3 SDCM Coincidencia de color estándar Desviación < 3 SDCM
Luminaire Efficacy 燈具效率 La eficacia de la luminaria	80 Lm/w(2700K), 80Lm/w((3000K), 90 Lm/w((4000K), 100 Lm/w((5000K), 100 Lm/w((6500K),
LED Source Luminous EfficacyLED光源光效 Fuente luminosa LED Eficacia	140 Lm/w(2700K), 140 Lm/w((3000K), 150 Lm/w((4000K), 160 Lm/w((5000K), 160 Lm/w((6500K),
Housing materials-外殼材料 Materiales de la carcasa	Die-cast aluminum and PMMA Lens and PC Reflector 鑄鋁和 PMMA 鏡頭和 PC 反光杯 Lente de aluminio fundido a presión y PMMA y reflector de PC
Housing Color 外殼顏色 color de la carcasa	Powder Coating :Matte white / Matte Black / Matte Silver 粉末塗層: 啞光白/啞光黑/啞光銀 Recubrimiento en polvo: blanco mate/negro mate/astilla mate
Reflector Color-反光杯顏色-Reflector color	Specular / Chrome Black / White / Matt / Black / Gold 鏡面 / 鎳黑色 / 白色 / 啞光 / 黑色 / 金色 Espejo / Cromo Negro / Blanco / Mate / Negro / Oro
ACCESSORIES 配件ACCESORIOS	Honeycomb mesh 蜂窩網 Malla de nido de abeja
Ingress Protection-防護等級 Protección de ingreso	IP20
Operating Temperature Range / 工作溫度範圍 Rango de temperatura de funcionamiento	-30 °C / +50 °C
Comply Testing Standard 符合測試標準 Cumplir el estándar de prueba	LED Luminaires: IEC/EN 60598-1 ; IEC/EN 60598-2-2 ; IEC/ EN62493 ; IEC/EN 62301 ; IEC TR 62778 & IEC 62471 ;ROHS LED Driver: EN 55015 / IEC 61000-3-2 / IEC 61347-1 / IEC 61347-2-13 / IEC 61547 /IEC 62384
Certification-認證-Certificación	    

Project	Fixture#	Date
		Firm



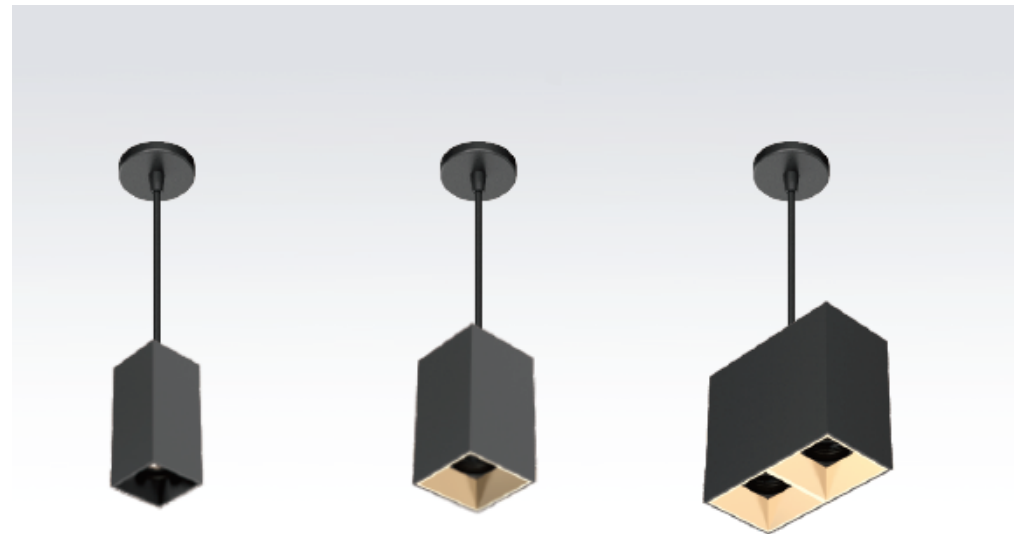
## Ordering Information

Choose the option that suits your need and write its corresponding code on the appropriate line to form the product code.

Example product code: [DONKY-9W](#)

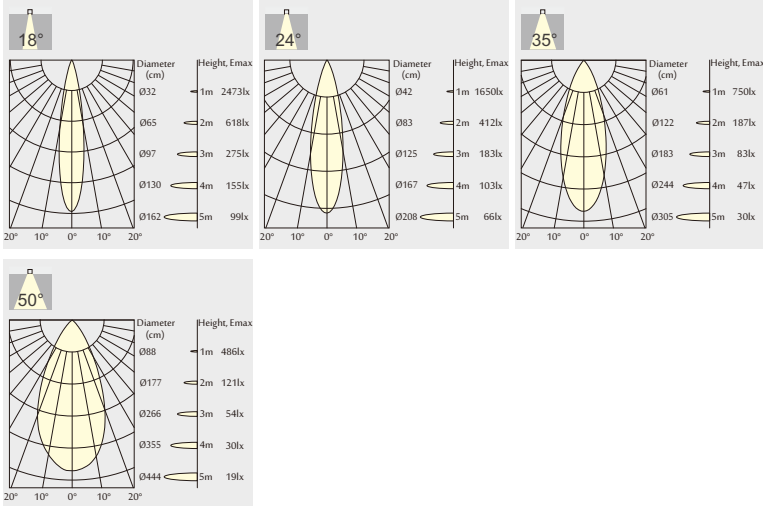
DONKY - \_\_\_\_\_  
Power Consumption

Power Consumption	
Code	Description
<a href="#">6W</a>	6W @L: 45 x W 45 x H: 101 mm
<a href="#">9W</a>	9W @ L: 69 x W 69 x H: 121 mm
<a href="#">13W</a>	13W @ L: 69 x W 69 x H: 121 mm
<a href="#">18W</a>	18W @ L: 69 x W 69 x H: 133 mm
<a href="#">26W</a>	26W @ L: 69 x W 69 x H: 133 mm

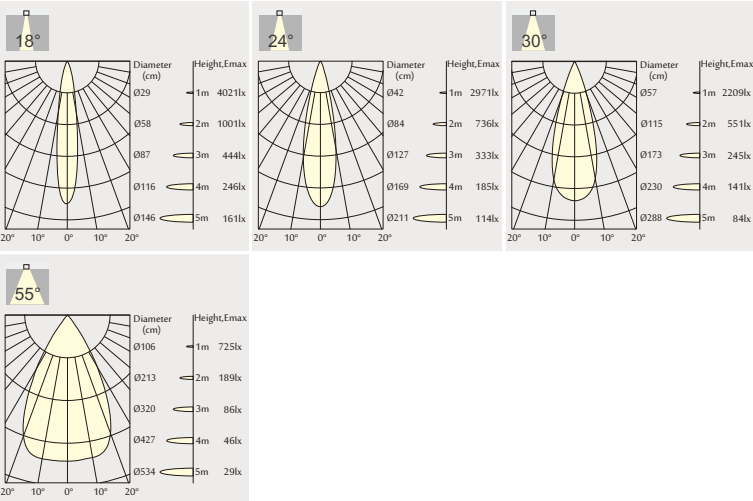


# BEAM ANGLE

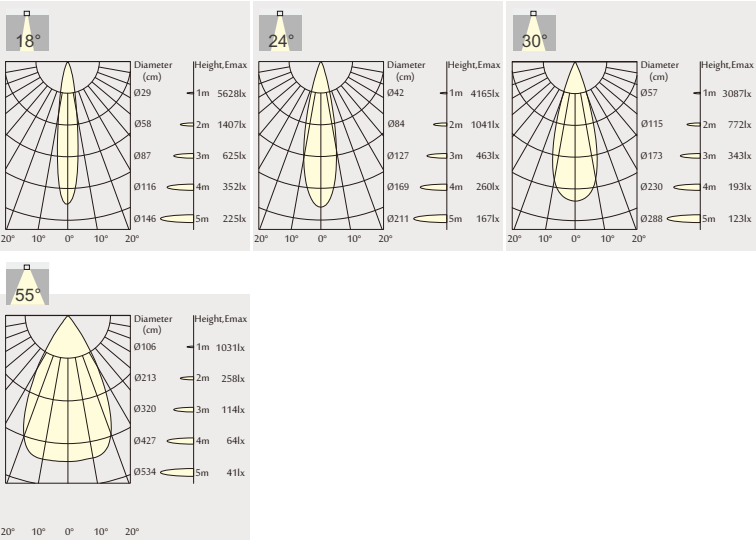
## 6W



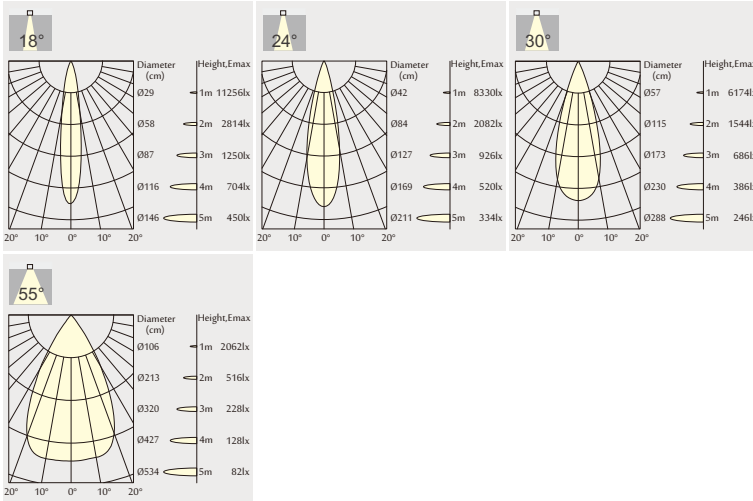
## 9W



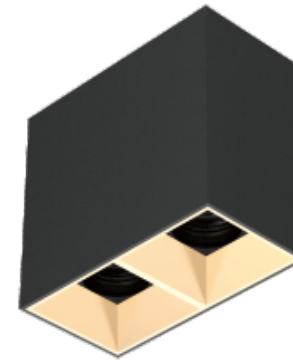
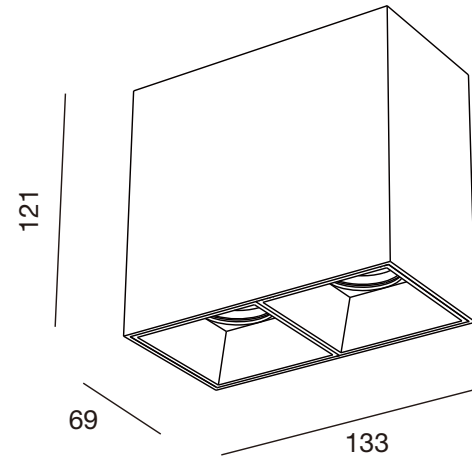
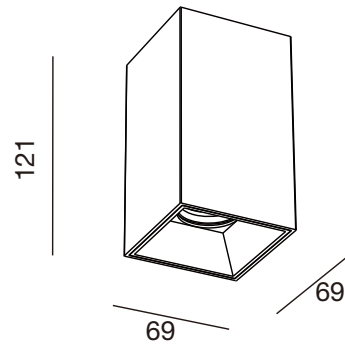
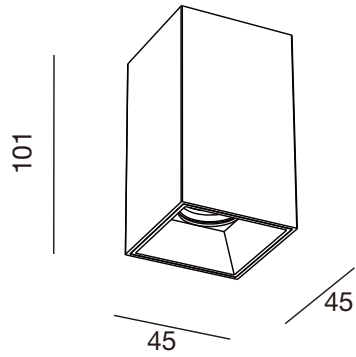
## 13 W



## 26 W



# Technical Drawing



**ANTI-GLARE ACCESSORY**



Honeycomb mesh



Honeycomb mesh



Honeycomb mesh

**SECONDARY REFLECTOR**



Matt Black White

**SECONDARY REFLECTOR**



Specular Chrome Black White



Matt Black Gold

**SECONDARY REFLECTOR**



Specular Chrome Black White



Matt Black Gold