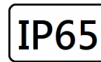


**DRAYAR**

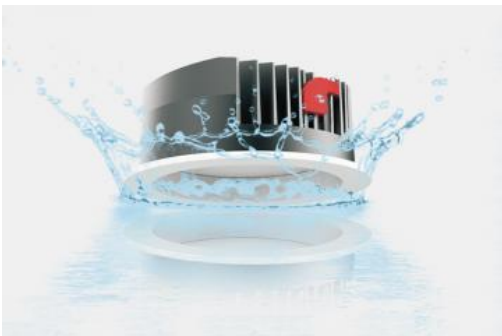


D103-226mm 50W Max IP66

**COB & Clear Glass**


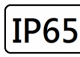




**SMD & Frost Glass**



OUTDOOR DOWN LIGHT. Housing: die-cast aluminium, powder-coated, designed as heatsink. Anti-glare PC reflector and safety glass diffusor system. LED module: high-power CREE LEDs Array and SAMSUNG SMD CRI>90, LM-80 performance approval >50,000 hours. Remoted Type ELV, 0-10V, DALI, DMX and RDM LED constant current control gear. Deep recessed design achieves super eye comfort.

### Technical Data

Luminaire Type- 安裝方式-Tipo de luminaria	Recessed Mounted Type- 嵌入式筒燈-Empotrada Tipo Montado		
Dimension-尺寸-Dimensión	<ul style="list-style-type: none"> <li>• DIA: 103 x H: 58 mm    DIA: 144 x H: 71 mm</li> <li>• DIA: 183 x H: 80 mm    DIA: 226 x H: 96 mm</li> </ul>		
Cut off Dimension-開孔尺寸-Cortar Dimensión	<ul style="list-style-type: none"> <li>• DIA 90mm @ DIA: 103 x H: 58 mm    DIA 130mm @ DIA: 144 x H: 71 mm</li> <li>• DIA 170mm @ DIA: 183 x H: 80 mm    DIA 210mm @ DIA: 226 x H: 96 mm</li> </ul>		
Power Consumption Max-燈具功率 Consumo de energía Max	<ul style="list-style-type: none"> <li>• 9W @ DIA 103 mm</li> <li>• 18W @ DIA 144 mm</li> <li>• 28W @ DIA 183 mm</li> <li>• 35W @ DIA 183 mm</li> <li>• 19W @ DIA 226 mm</li> <li>• 42W @ DIA 226 mm</li> </ul>	<ul style="list-style-type: none"> <li>12W @ DIA 144 mm</li> <li>20W @ DIA 144 mm</li> <li>30W @ DIA 183 mm</li> <li>36W @ DIA 183 mm</li> <li>25W @ DIA 226 mm</li> <li>45W @ DIA 226 mm</li> </ul>	<ul style="list-style-type: none"> <li>15W @ DIA 144 mm</li> <li>24W @ DIA 183 mm</li> <li>32W @ DIA 183 mm</li> <li>40W @ DIA 183 mm</li> <li>33W @ DIA 226 mm</li> <li>50W @ DIA 226 mm</li> </ul>
Input Voltage-輸入電壓-Voltaje de entrada	AC220-240V 50/60HZ		
LED Driver Type LED驅動款式 Tipo de controlador LED	Remote-type LED Driver--Refer to LED driver specification 請參閱LED驅動器規格 Consulte la especificación de controlador de LED 1. ON/OFF Switch AC220-240V 50/60HZ 2. ELV Dimming Driver (5-100%) AC 100-120V 50/60Hz or AC 200-240V 50/60HZ 3. 0-10V Dimming Driver AC100-240V 50/60HZ 4. Dali Dimming Driver AC100-240V 50/60HZ 5. DMX Driver AC100-240V 50/60HZ 6. RDM Driver AC100-240V 50/60HZ 7. Emergency Backup >2 hours or >3 hours @ < 24 charger hours 應急電池/Copia de seguridad de emergencia		
Control Protocol-控制協議/Protocolo de Control	0-10V / Dali / DMX 512 / RDM / ZIGBEE Wireless Control		
Beam Angle 光束角 ángulo de haz	• 30° @ COB    65° @ COB    80° @ SMD		
Light Source Brand-光源品牌-Fuente de luz de marca	SAMSUNG - ( Photobiological safety-IEC 62471 'Risk Group 1' (low risk) ) @ SMD CREE - ( Photobiological safety-IEC 62471 'Risk Group 1' (low risk) ) @ COB		
"Lumen Maintenance LM-80 Reported by TM-21"@ 25°C	L80(10k) > 60,000 hrs	L70(10k) > 65,500 hrs	
LED Life-LED壽命-La vida del LED	>60,000 hours		
Color Temperature -色溫 Temperatura del color	2700K / 3000K / 4000K / 5000K / 6000K/ 6500K		
Color Rendering Index-顯色指數 Índice de reproducción cromática	<ul style="list-style-type: none"> <li>• &gt;80</li> <li>• &gt;90</li> </ul>		
MacAdam Ellipses Binning 麥克亞當橢圓分級 Mac Adam binning elipse	Standard Deviation Colour Matching < 3 SDCM 標準偏差配色 < 3 SDCM Coincidencia de color estándar Desviación < 3 SDCM		
Luminaire Efficacy 燈具效率 La eficacia de la luminaria	<ul style="list-style-type: none"> <li>• SMD LED + Frost Glass 100 Lm/w(2700K), 100 Lm/w(3000K), 120 Lm/w(4000K), 120Lm/w(5000K), 120 Lm/w(6000K), 120Lm/w(6500K)</li> <li>• COB LED + Clear Glass 120 Lm/w(2700K), 120 Lm/w(3000K), 140 Lm/w(4000K), 140Lm/w(5000K), 140 Lm/w(6000K), 140Lm/w(6500K)</li> </ul>		
LED Source Luminous Efficacy LED光源光效 Fuente luminosa LED Eficacia	<ul style="list-style-type: none"> <li>• 140 Lm/w(2700K), 140 Lm/w(3000K), 160 Lm/w(4000K), 160Lm/w(5000K), 160 Lm/w(6000K), 160Lm/w(6500K)</li> </ul>		
Housing materials-外殼材料 Materiales de la carcasa	Die-cast aluminum & Tempered glass lampshade 壓鑄鋁和鋼化玻璃燈罩 Reflector de policarbonato y pantalla de vidrio templado		
Housing Color 外殼顏色 color de la carcasa	<ul style="list-style-type: none"> <li>• UV resistant Powder Coating :Graphite RAL 9005 / White RAL 9003 / Gray RAL 9006</li> <li>• 抗紫外線粉末塗料: 啞光黑色燈身 RAL 9004 / 啞光白色燈身 RAL9003 / 啞光灰色燈身 RAL 9006</li> <li>• Resistente a los rayos UV Recubrimiento en Polvo: Matte Black RAL 9004 / Matte Blanco RAL 9003 / Gris Mate RAL 9006</li> </ul>		
Ingress Protection-防護等級 Protección de ingreso	IP65		
Mech impact protection機械衝擊保護 Protección contra impactos mecánicos	IK08		
Operating Temperature Range / 工作溫度範圍 Rango de temperatura de funcionamiento	-20 °C / +50 °C		
Operating Humidity -工作濕度 Humedad de funcionamiento	0~90%, non-condensing-不結霜 sin condensación		
Comply Testing Standard 符合測試標準 Cumplir el estándar de prueba	LED Luminaires: IEC/EN 60598-1 ; IEC/EN 60598-2-2 ; IEC/ EN62493 ; IEC/EN 62301 ; IEC TR 62778 & IEC 62471 (RG1) ;ROHS LED Driver: EN 55015 / IEC 61000-3-2 / IEC 61347-1 / IEC 61347-2-13 / IEC 61547 /IEC 62384		
Certification-認證-Certificación	       		

Project	Fixture#	Date
		Firm



## Ordering Information

Choose the option that suits your need and write its corresponding code on the appropriate line to form the product code.

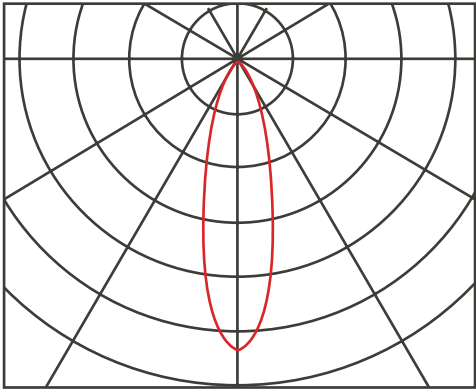
Example product code: [DRAYAR-50W](#)

DRAYAR - -                       
[Power Consumption](#)

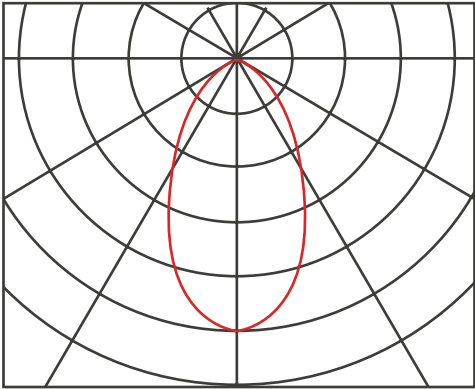
Power Consumption	
Code	Description
<a href="#">9W</a>	9W @ DIA 103 mm
<a href="#">12W</a>	12W @ DIA 144 mm
<a href="#">15W</a>	15W @ DIA 144 mm
<a href="#">18W</a>	18W @ DIA 144 mm
<a href="#">20W</a>	20W @ DIA 144 mm
<a href="#">24W</a>	24W @ DIA 183 mm
<a href="#">28W</a>	28W @ DIA 183 mm
<a href="#">30W</a>	30W @ DIA 183 mm
<a href="#">32W</a>	32W @ DIA 183 mm
<a href="#">35W</a>	35W @ DIA 183 mm
<a href="#">36W</a>	36W @ DIA 183 mm
<a href="#">40W</a>	40W @ DIA 183 mm
<a href="#">19W</a>	19W @ DIA 226 mm
<a href="#">25W</a>	25W @ DIA 226 mm
<a href="#">33W</a>	33W @ DIA 226 mm
<a href="#">42W</a>	42W @ DIA 226 mm
<a href="#">45W</a>	45W @ DIA 226 mm
<a href="#">50W</a>	50W @ DIA 226 mm

BEAM ANGLE

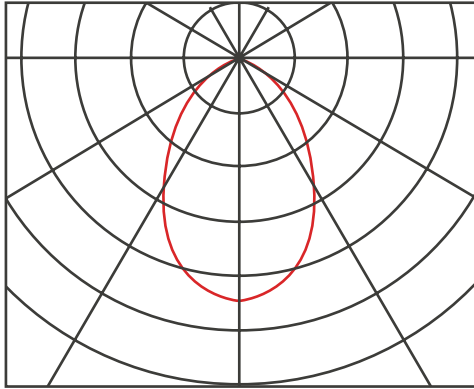
30°



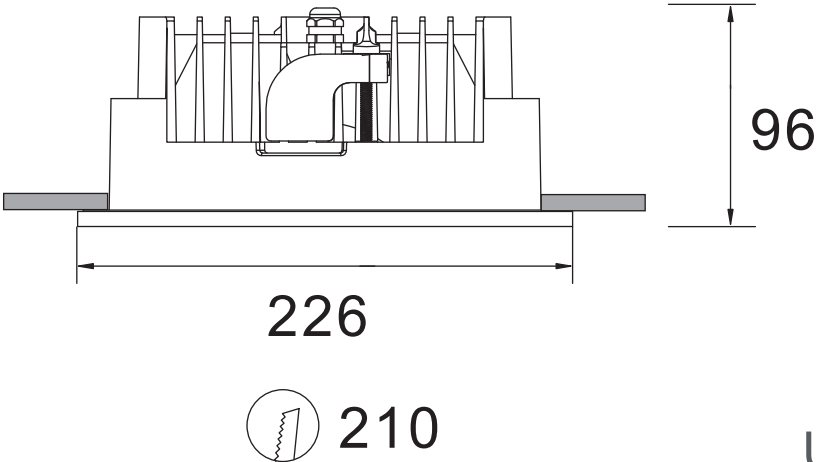
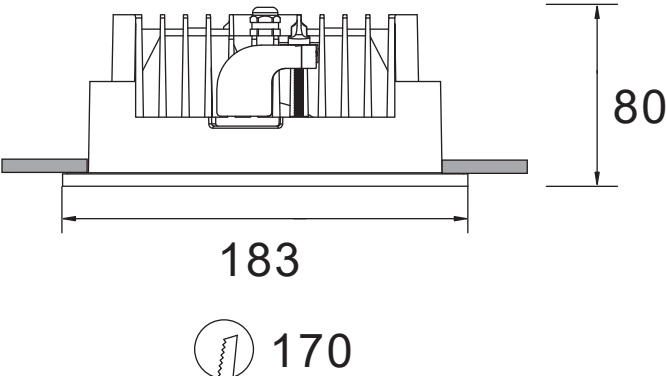
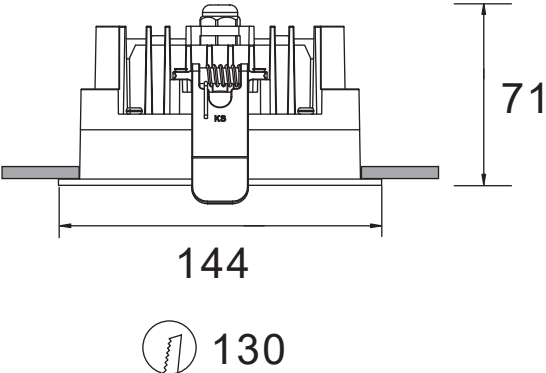
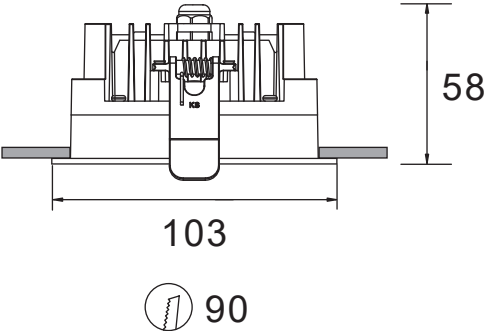
65°



80°



Technical Drawing



Unit: mm