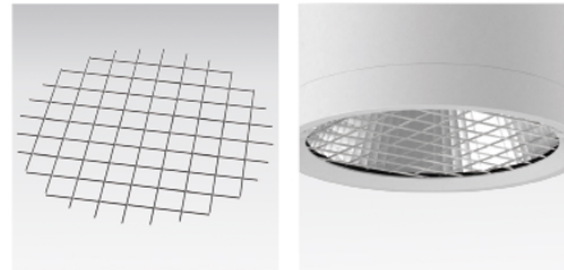



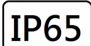


DRAYAR

Dia160xH200mm 50W Max IP65



Housing: Extrusion aluminium housing with corrosion -resistance powder coating and die-cast aluminium cover.
Anti-glare and high purity anodized aluminum reflector to distribute comfortable light
Ingress Protection: IP65 and Mech impact protection: IK08.
LED module: SMD, CRI>80, LM-80 performance approval >50,000 hours.
Integrated-Type ELV , 0-10V, DALI, LED constant current control gear.
Accessory: Protective metal mesh.

Technical Data

Luminaire Type-安裝方式-Tipo de luminaria	Surface Mounted Type 明裝式燈具 Superficie Tipo Montado
Dimension-尺寸-Dimensión	DIA: 160 x H: 200 mm
Input Voltage-輸入電壓-Voltaje de entrada	AC100-240V 50/60Hz
Power Consumption Max-燈具功率 Consumo de energía Max	35W 40W 50W
LED Driver Type LED驅動款式 Tipo de controlador LED	Integrated-type LED Driver--Constant Current LED Driver: Refer to LED driver specification 請參閱LED驅動器規格 Consulte la especificación de controlador de LED 1. ON/OFF Switch AC100-240V 50/60HZ 2. ELV Dimming Driver (5-100%) AC 100-120V 50/60Hz or AC 200-240V 50/60HZ 3. 0-10V Dimming Driver AC100-240V 50/60HZ 4. Dali Dimming Driver AC100-240V 50/60HZ 5. Remoted Emergency Backup >2 hours or >3 hours @ < 24 charger hours 應急電池/Copia de seguridad de emergencia
LED Driver Features 驅動特性 Funciones del controlador de LED	POWER FACTOR : PF>0.90 @ Full Load TOTAL HARMONIC DISTORTION: THD< 20% LIFE HOUR : 50,000 Hours
Control Protocol-控制協議 Protocolo de Control	0-10V / Dali / DMX 512 / RDM / ZIGBEE Wireless Control
Beam Angle - symmetrical wide beam light distribution 光束角 - 對稱寬光束光分佈 Ángulo de haz - distribución de luz de haz amplio simétrico	57°
Light Source Brand-光源品牌-Fuente de luz de marca	EPISTAR SMD
Photobiological safety-EN 62471 / of Luminaire 光生物安全檢驗(EN 62471) 結果: Seguridad fotobiológica-EN 62471	Low Risk Group 1 (RG1) 低風險組1 RG1 Grupo de bajo riesgo 1 (RG1)
"Lumen Maintenance LM-80 Reported by TM-21"25°C	L90(10k) = 50,700 hrs L80(10k) > 63,500 hrs L70(10k) > 63,500 hrs
LED Life-LED壽命-La vida del LED	>60,000 hours
Color Temperature -色溫 Temperatura del color	2700K / 3000K / 4000K / 5000K / 6500K
Color Rendering Index-顯色指數 Índice de reproducción cromática	• > 80 • > 90
MacAdam Ellipses Binning 麥克亞當橢圓分級 Mac Adam binning elipse	Standard Deviation Colour Matching < 3 SDCM 標準偏差配色 < 3 SDCM Coincidencia de color estándar Desviación < 3 SDCM
Luminaire Efficacy 燈具效率 La eficacia de la luminaria	90 Lm/w(2700K), 90Lm/w(3000K), 95Lm/w(4000K), 100 Lm/w(5000K), 100 Lm/w(6500K),
LED Source Luminous Efficacy LED光源光效 Fuente luminosa LED Eficacia	120 Lm/w(2700K), 120Lm/w(3000K), 130Lm/w(4000K), 140 Lm/w(5000K), 140 Lm/w(6500K),
Housing materials-外殼材料 Materiales de la carcasa	Die-cast aluminum & Clear safety glass lampshade 壓鑄鋁和透明安全玻璃燈罩 Pantalla de aluminio fundido a presión y cristal de seguridad transparente
Housing Color 外殼顏色 color de la carcasa	Powder Coating : Matte White RAL 9003 or Matte Black RAL9005 粉末塗料: 啞光白色燈身 RAL9003 或啞光黑色燈身RAL9005 Recubrimiento en polvo: blanco mate RAL 9003 / Matte black RAL9005
Reflector Color-反光杯顏色-Reflector color	Chrome Sliver 鎳銀 Cromo plata
Ingress Protection-防護等級 Protección de ingreso	IP65
Operating Temperature Range / 工作溫度範圍 Rango de temperatura de funcionamiento	-30 °C / +50 °C
Operating Humidity -工作濕度 Humedad de funcionamiento	0~90%, non-condensing-不結霜 sin condensación
Mech impact protection 機械衝擊保護 Protección contra impactos mecánicos	IK08
Comply Testing Standard 符合測試標準 Cumplir el estándar de prueba	LED Luminaires:LVD: EN 60598-1 / EN 60598-2-1/ IEC 62031 / EN 62471 IEC 60529 / IEC 62262 / RoHS LED Driver: IEC/EN 61347-1; IEC/EN 61347-2-13; IEC/EN 62384; IEC/EN 61000-3-2; IEC/EN 61000-3-3;IEC/EN61574;EN 55015
Certification-認證-Certificación	    

Project	Fixture#	Date
		Firm



Ordering Information

Choose the option that suits your need and write its corresponding code on the appropriate line to form the product code.

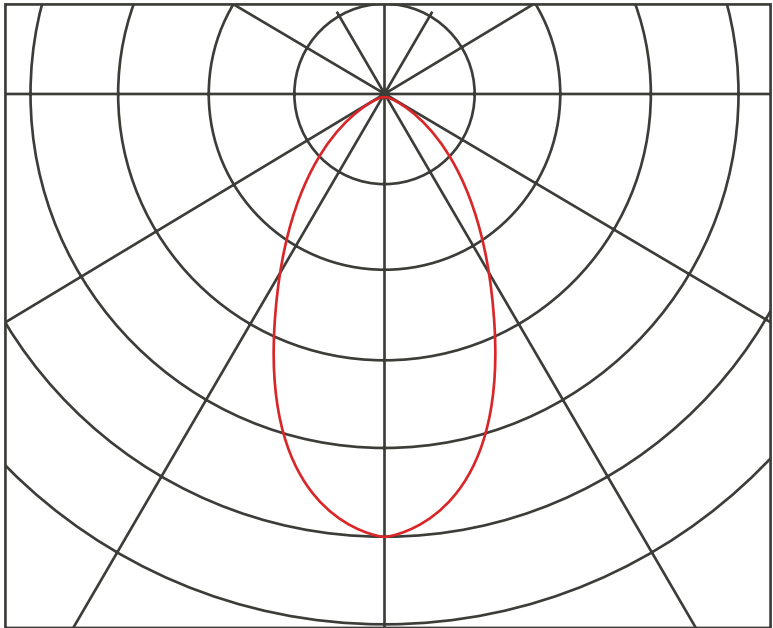
Example product code: [DRAYAR-40W](#)

DRAYAR - - _____
Power Consumption

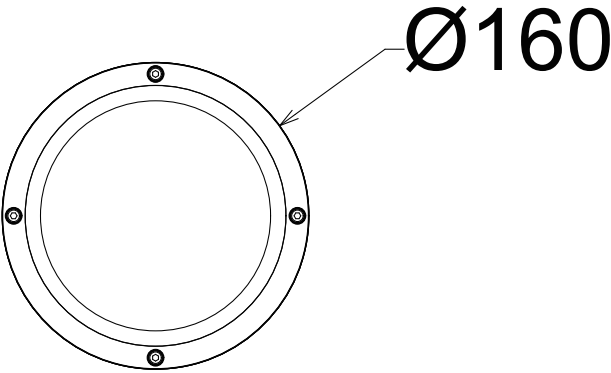
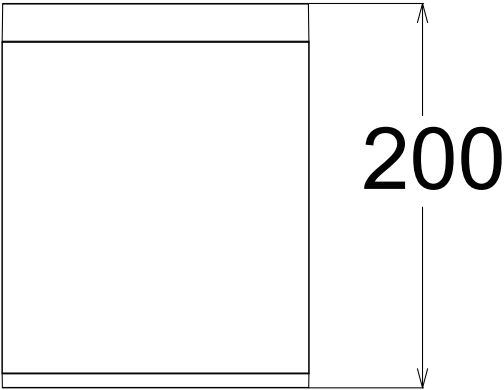
Power Consumption	
Code	Description
35W	35W
40W	40W
50W	50W

BEAM ANGLE

57°



Technical Drawing



Unit: mm