

# DRAYAR

7W - 40W IP65



Reflector Type  
with Clear  
Glass Diffuser



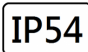
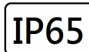





Opal PC  
Diffuser



Frosted Glass  
Diffuser

- Optional Air-Tight Treatment for the clean room ISO 14644-1 application
- Die-cast aluminum with safety Clear Glass or Frosted Glass
- UV resistant and corrosion -resistance powder coating
- Anti-glare and high purity anodized reflector
- Ingress Protection: IP65

## Technical Data

Luminaire Type-安裝方式 Tipo de luminaria	Recessed Mount Fixed Type 嵌入式筒燈 Tipo de montaje empotrado	
Dimension-尺寸-Dimensión / mm Cut off Dimension-開孔尺寸-Cortar Dimensión / mm	Dia: 115mm x H: 48mm: Cut: 100mm Dia: 145mm x H: 60mm: Cut: 130mm Dia: 159mm x H: 60mm: Cut: 145mm Dia: 190mm x H: 60mm: Cut: 175mm Dia: 230mm x H: 72mm: Cut: 210mm	
Input Voltage-輸入電壓-Voltaje de entrada	AC220-240V 50/60Hz	
Power Consumption Max-燈具功率 Consumo de energía Max	Dia: 115mm : 7W 9W Dia: 145mm : 9W 11W 15W Dia: 159mm : 15W 18W 20W Dia: 190mm : 18W 20W 25W Dia: 230mm : 28W 30W 35W 40W	
LED Driver Type LED驅動款式 Tipo de controlador LED	Remote-type LED Driver--Constant Current LED Driver: Refer to LED driver specification 請參閱LED驅動器規格 Consulte la especificación de controlador de LED 1. ON/OFF Switch AC 220-240V 50/60HZ 2. 1-10V Dimming Driver (1%-100%) AC220-240V 50/60HZ 3. Dali 1 or Dali 2 Dimming Driver(1%-100%) AC220-240V 50/60HZ	
LED Driver Features Constant Current LED Driver: 驅動特性-恆流LED驅動器 Funciones del controlador de LED	POWER FACTOR : PF>0.9 or PF >0.95 @ Full Load TOTAL HARMONIC DISTORTION: THD< 20%	
Control Protocol-控制協議Protocolo de Control	1-10V / Dali / ZIGBEE Wireless Control	
Beam Angle 光束角 /ángulo de haz	• COB LED Reflector - 60° • SMD LED-Opal PC Diffuser - 90°	
Light Source Brand-光源品牌-Fuente de luz de marca	Reflector Type : CREE COB	Opal Diffuser Type :SMD
"Lumen Maintenance LM-80 Reported by TM-21"@ 25°C	L70(10k) > 60,000 hrs	
LED Life-LED壽命-La vida del LED	>60,000 hours	
Color Temperature -色溫 Temperatura del color	2700K / 3000K / 4000K / 5000K / 6500K	
Color Rendering Index-顯色指數 Índice de reproducción cromática	> 80 > 90	
Chromaticity Tolerance (initial Macadam)色度容差 (初始Macadam) Tolerancia de cromaticidad (Macadam inicial)	Standard Deviation Colour Matching < 3 SDCM標準偏差配色< 3 SDCM Coincidencia de color estándar Desviación < 3 SDCM	
Luminaire Efficacy燈具效率 La eficacia de la luminaria	100Lm/w(2700K), 120 Lm/w(5000K),	100 Lm/w(3000K), 120 Lm/w(6500K), 110 Lm/w(4000K),
LED Source Luminous Efficacy LED光源光效 Fuente luminosa LED Eficacia	140Lm/w(2700K), 160 Lm/w(5000K),	140 Lm/w(3000K), 160 Lm/w(6500K), 150 Lm/w(4000K),
Housing materials-外殼材料 Materiales de la carcasa	Die-cast aluminium and Clear glass or Frosted Glass or Anti UV Opal Polycarbonate diffuser 壓鑄鋁和透明玻璃或磨砂玻璃 或抗紫外線乳白PC擴散器 Difusor de Aluminio fundido a presión y Vidrio Transparente o Vidrio Esmerilado o Policarbonato Opal Anti UV	
Reflector反光杯Reflector -COB LED	Bright silver 亮銀Plata brillante	
Trim Color-框邊顏色-Estilo Color	Matte white RAL9003 / Matte black RAL9005 / Matte Grey RAL9006 磨砂白RAL 9003 / 磨砂黑RAL 9005 / 磨砂灰RAL 9006 Blanco mate RAL 9003 / Negro mate RAL 9005 / Gris mate RAL 9006	
Ingress Protection-防護等級 Protección de ingreso	• IP54 Lighting Fixture with IP20 Remoted LED Driver Enclosure • IP65 Lighting Fixture with IP20 Remoted LED Driver Enclosure • IP65 Lighting Fixture with IP65 Remoted LED Driver Enclosure	
Operating Temperature Range / 工作溫度範圍 Rango de temperatura de funcionamiento	-30 °C To +50 °C	
Operating Humidity -工作濕度 Humedad de funcionamiento	0~90%, non-condensing-不結霜 sin condensación	
Comply Testing Standard 符合測試標準 Cumplir el estándar de prueba	LED Luminaires: IEC/EN60598-1 ; EN60598-2-1 ;IEC/EN 62031 ;IEC/EN 62493;IEC TR62778 ; IEC62471; RoHS LED Driver: EN 55015 / EN 61000-3-2 / EN 61347-1 / EN 61347-2-13 / EN 61547 / EN 62384	
Certification-認證-Certificación	      	

Project	Fixture#	Date
		Firm

## Ordering Information

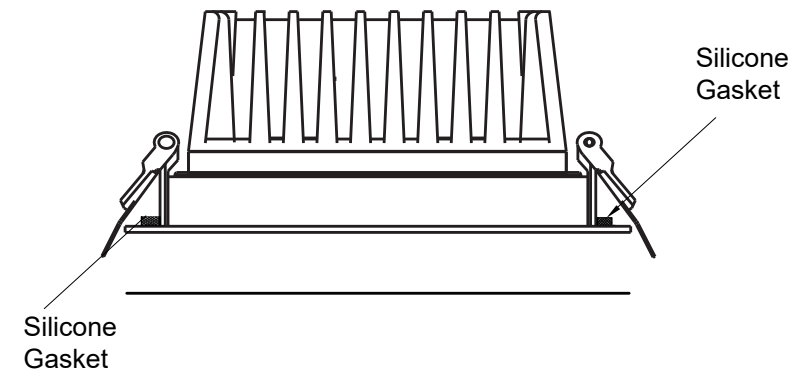
Choose the option that suits your need and write its corresponding code on the appropriate line to form the product code.

Example product code: [DRAYAR-11W](#)

DRAYAR - \_\_\_\_\_  
Power Consumption

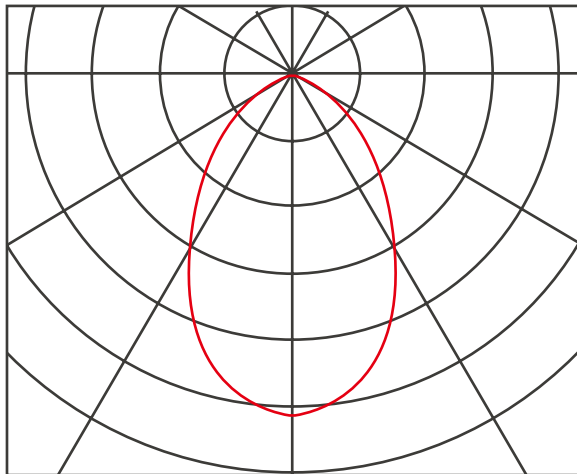
Power Consumption	
Code	Description
<a href="#">7W</a>	7W@Dia: 115mm Opal Diffuser Type or Reflector Type
<a href="#">9W</a>	9W @ Dia: 115mm or @ Dia 145mm Opal Diffuser Type or Reflector Type
<a href="#">11W</a>	11W@Dia: 145mm Opal Diffuser Type or Reflector Type
<a href="#">15W</a>	15W @ Dia: 145mm or @ Dia 159mm Opal Diffuser Type or Reflector Type
<a href="#">18W</a>	18W @ Dia: 159mm or @ Dia 190mm Opal Diffuser Type or Reflector Type
<a href="#">20W</a>	20W @ Dia: 159mm or @ Dia 190mm Opal Diffuser Type or Reflector Type
<a href="#">25W</a>	25W @ Dia: 190mm or @ Dia 230mm Opal Diffuser Type or Reflector Type
<a href="#">28W</a>	28W @ Dia 230mm Opal Diffuser Type or Reflector Type
<a href="#">35W</a>	35W @ Dia 230mm Opal Diffuser Type or Reflector Type
<a href="#">40W</a>	40W @ Dia 230mm Opal Diffuser Type or Reflector Type

**Optional Air-Tight Treatment for the clean room ISO 14644-1 application IP65 Protection**



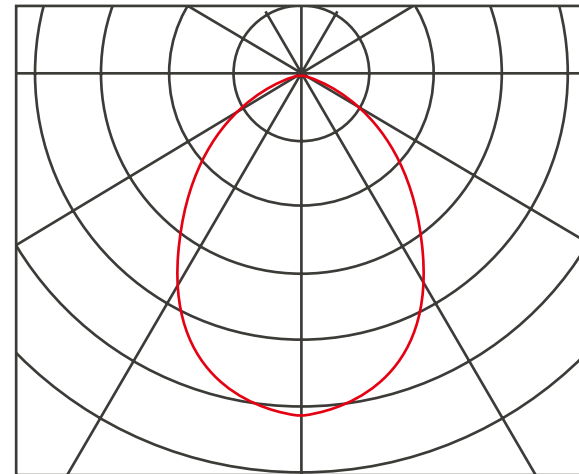
# BEAM ANGLE

60°



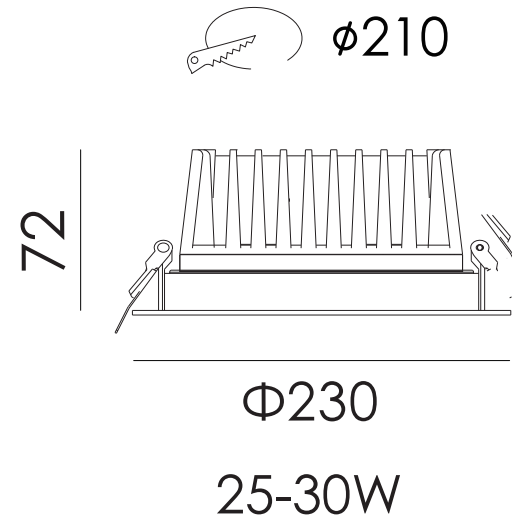
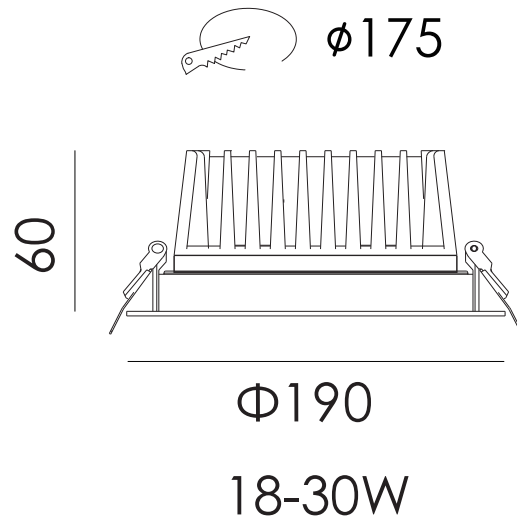
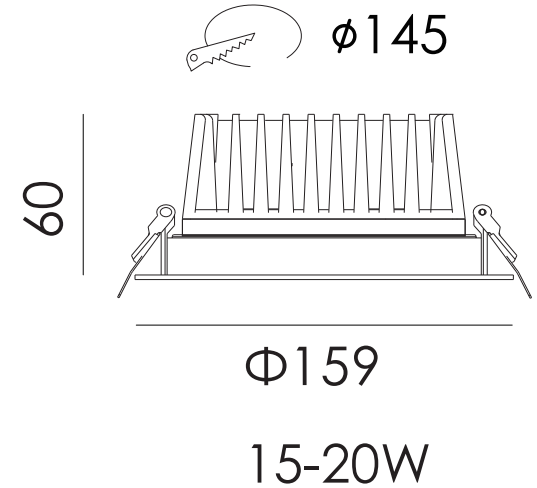
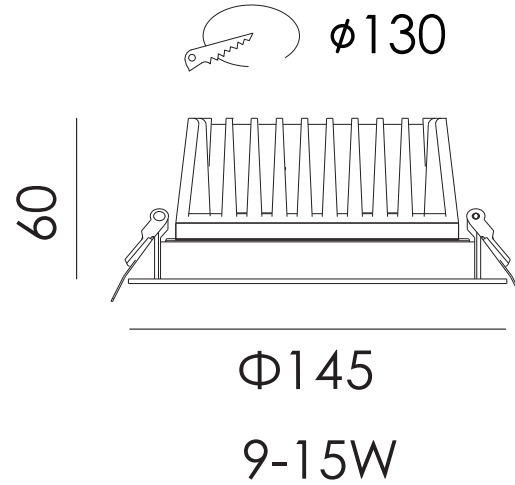
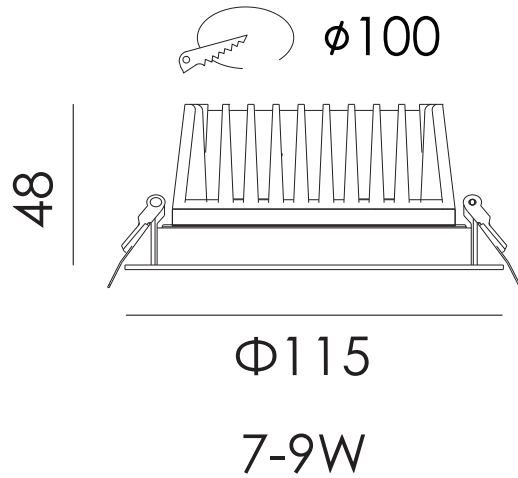
COB LED  
Reflector Type

90°



SMD LED  
Opal Diffuser

# Technical Drawing



Unit: mm