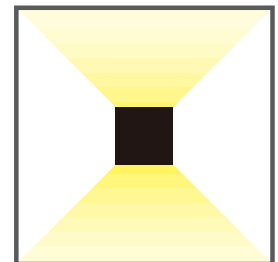
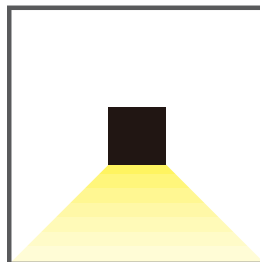
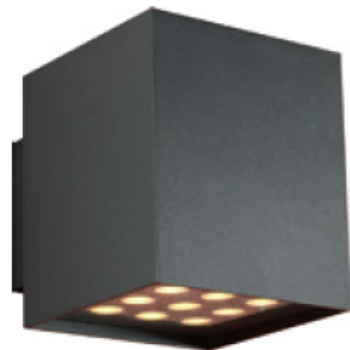
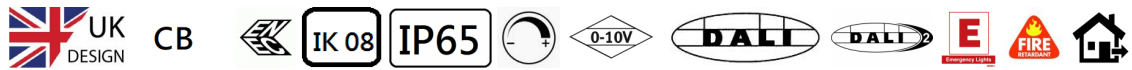



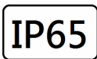








# DRAYAR



- Aluminum die casting base and heatsink, extruded aluminum alloy body.
- Super white frosted tempered glass. with high visual comfort light distribution, different optical be option.
- Surface anti-ultraviolet pure polyester powder painting, Corrosion resistance can be more than 1000 hours.
- No photo-biological risk, in accordance with EN 62471:2008.
- IP65, IK08

## Technical Data

Luminaire Type-安裝方式Tipo de luminaria	Wall Mounted Type壁掛式 Tipo montado en la pared
Dimension-尺寸-Dimensión	<ul style="list-style-type: none"> <li>• D:100mm (135mm with Bracket) W: 100mm x H: 150mm</li> <li>• D:140mm (168mm with Bracket) W: 140mm x H: 170mm</li> </ul>
Power Consumption Max-燈具功率 Consumo de energía Max	<ul style="list-style-type: none"> <li>• Down Light or Up Light @ 100x100mm: 7W 9W</li> <li>• Down Light or Up Light @ 140x140mm: 15W 20W</li> <li>• Up and Down Light @ 100x100mm: 14W (2x7W) 18W(2x 9W)</li> <li>• Up and Down Light @ 140x140mm: 30W (2x15W) 40W(2x 20W)</li> </ul>
Input Voltage-輸入電壓-Voltaje de entrada	AC220-240V 50/60HZ
LED Driver Type LED驅動款式 Tipo de controlador LED	Integrated-type LED Driver--Refer to LED driver specification 請參閱LED驅動器規格 Consulte la especificación de controlador de LED 1. ON/OFF Switch AC220-240V 50/60HZ 2. 1-10V Dimming Driver AC220-240V 50/60HZ 3. Dali Dimming Driver AC220-240V 50/60HZ 4. Remote Emergency Backup >2 hours or >3 hours @ < 12 charger hours應急電池/Copia de seguridad de emergencia
LED Driver Features驅動特性 Funciones del controlador de LED	Power Factor / 功率因數/Factor de potencia: >0.9 Total Harmonic Distortion/總諧波失/Distorsión armónica total: THD<20%
Light Source Brand-光源品牌-Fuente de luz de marca	CREE
Beam Angle光束角ángulo de haz	25°
"Lumen Maintenance LM-80 Reported by TM-21"@25degree	L70 > 60,000 hrs
LED Life-LED壽命-La vida del LED	>60,000 hours
Color Temperature -色溫 Temperatura del color	2700K / 3000K / 4000K/ 5000K
Color Rendering Index-顯色指數 Índice de reproducción cromática	> 80
MacAdam Ellipses Binning 麥克亞當橢圓分級 Mac Adam binning ellipse	Standard Deviation Colour Matching < 3 SCDM 標準偏差配色 < 3 SCDM Coincidencia de color estándar Desviación
Luminaire Efficacy燈具效率 La eficacia de la luminaria	Standard :110 Lm/w(2700K&3000K), 120 Lm/w(4000K), 120 Lm/w(5000K), Advance :130 Lm/w(2700K&3000K), 140 Lm/w(4000K), 140 Lm/w(5000K),
LED Source Luminous EfficacyLED光源光效 Fuente luminosa LED Eficacia	Standard :140 Lm/w(2700K&3000K), 150 Lm/w(4000K), 150 Lm/w(5000K), Advance :160 Lm/w(2700K&3000K), 170 Lm/w(4000K), 170 Lm/w(5000K),
Housing materials-外殼材料 Materiales de la carcasa	Die-cast aluminum and Frost tempered glass壓鑄鋁和磨砂鋼化玻璃 Aluminio fundido a presión y vidrio templado
Housing Color外殼顏色 color de la carcasa	Polyester powders Coating--Black RAL9005 / Grey RAL9006 / White RAL9003 聚酯粉末塗料--啞光黑 RAL 9005 / 灰色 RAL 9006 / 啞光白 RAL 9003 Revestimiento en polvo de poliéster: negro mate RAL 9005 / gris RAL 9006 / blanco mate RAL 9003
Ingress Protection-防護等級 Protección de ingreso	IP65
Mech impact protection 機械衝擊保護 Protección contra impactos mecánicos	IK08
Operating Temperature Range / 工作溫度範圍 Rango de temperatura de funcionamiento	-30 °C / +50 °C
Operating Humidity -工作濕度 Humedad de funcionamiento	0~90%, non-condensing-不結霜 sin condensación
Net Weight淨重Peso Neto	<ul style="list-style-type: none"> <li>• 1.6 KG @ D:100mm (135mm with Bracket) W: 100mm x H: 150mm</li> <li>• 4.2 KG @ D:140mm (168mm with Bracket) W: 140mm x H: 170mm</li> </ul>
Comply Testing Standard 符合測試標準 Cumplir el estándar de prueba	LED Luminaries: EN 60598-1;EN 60598-2-1; IEC TR62778 IEC62471 ; IEC 62031; RoHS LED Driver: IEC/EN 61347-1; IEC/EN 61347-2-13; IEC/EN 62384; IEC/EN 61000-3-2; IEC/EN 61000-3-3;IEC/EN61574;EN 55015
Certification-認證-Certificación	         

Project	Fixture#	Date
		Firm

## Ordering Information

Choose the option that suits your need and write its corresponding code on the appropriate line to form the product code.

Example product code: [DRAYAR-14W](#)

DRAYAR-- - \_\_\_\_\_  
Power Consumption

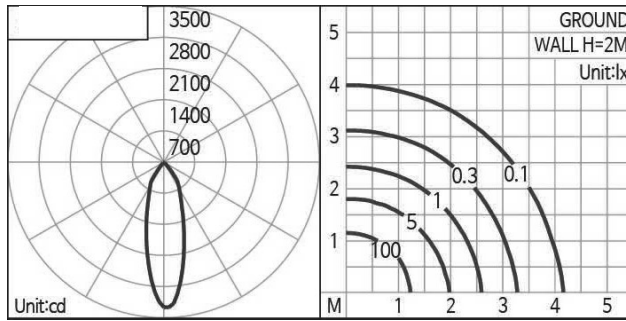
Power Consumption	
Code	Description
<a href="#">7W</a>	7W @Down Light or Up Light @ 100x100mm
<a href="#">9W</a>	9W @Down Light or Up Light @ 100x100mm
<a href="#">15W</a>	15W @Down Light or Up Light @ 140x140mm
<a href="#">20W</a>	20W @Down Light or Up Light @ 140x140mm
<a href="#">14W</a>	2x7W @Down Light and Up Light @ 100x100mm
<a href="#">18W</a>	2x9W @Down Light and Up Light @ 100x100mm
<a href="#">30W</a>	2x15W @Down Light and Up Light @ 140x140mm
<a href="#">40W</a>	2x20W @Down Light and Up Light @ 140x140mm



# Beam Angle

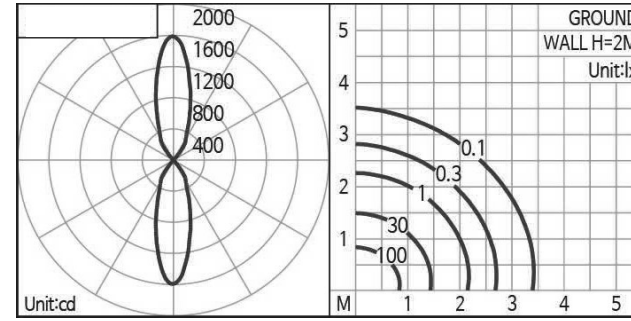
Power Consumption: 15W

25°



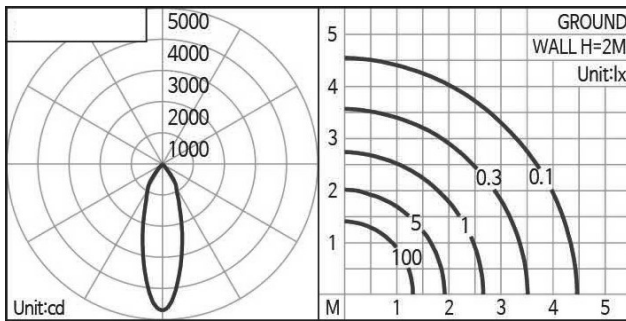
Power Consumption: 14W(7Wx2)

25°



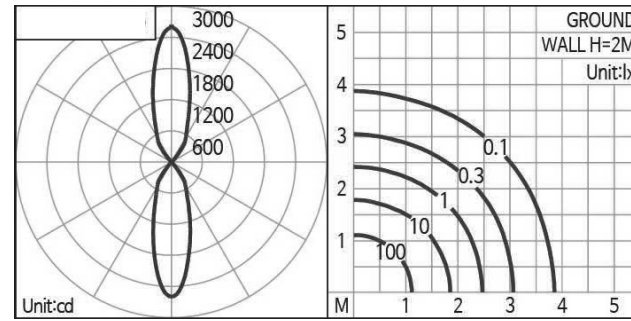
Power Consumption: 20W

25°

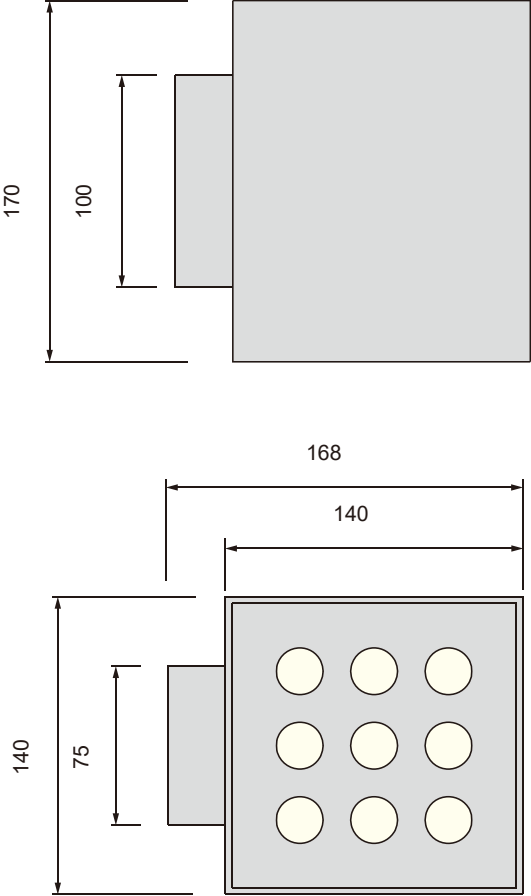
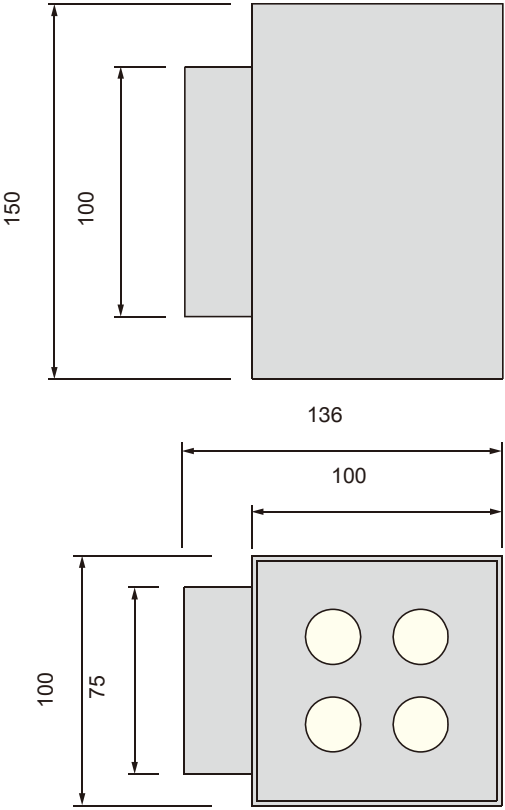


Power Consumption: 30W(15Wx2)

25°



Technical Drawing



Down light : 7W or 9W



Up and Down Light : 2 x 7W or 2x9W

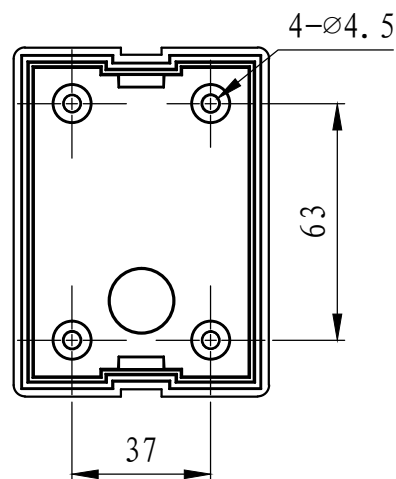
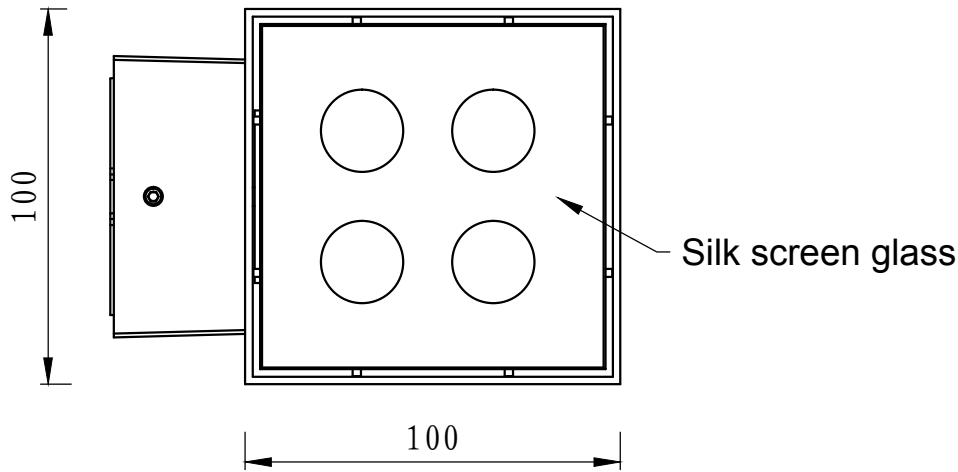
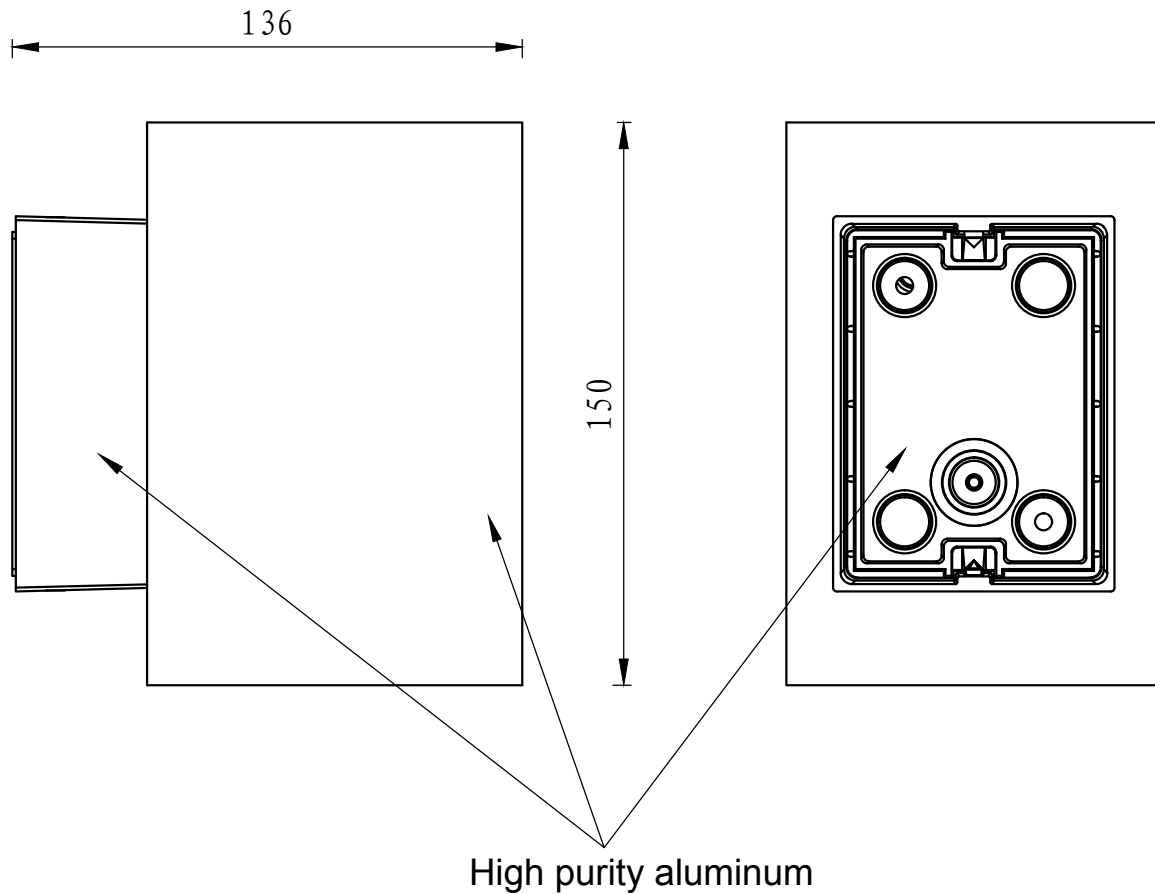


Down light : 15W or 20W

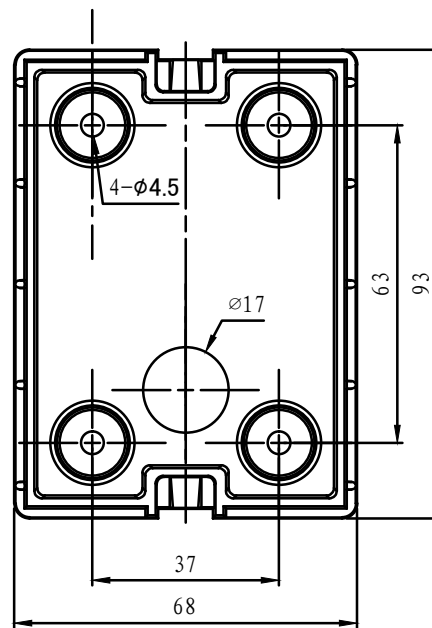
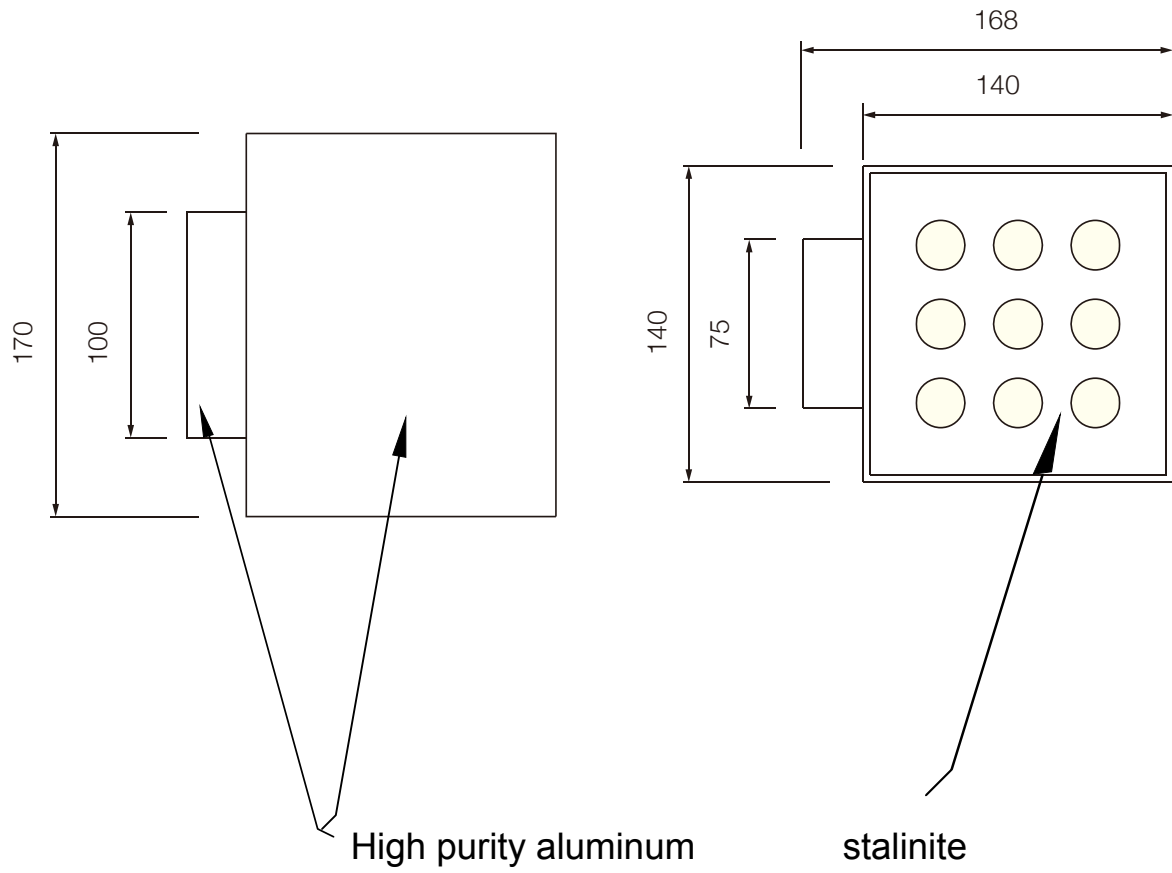


Up and Down Light : 2 x 15W or 2x20W

Unit: mm

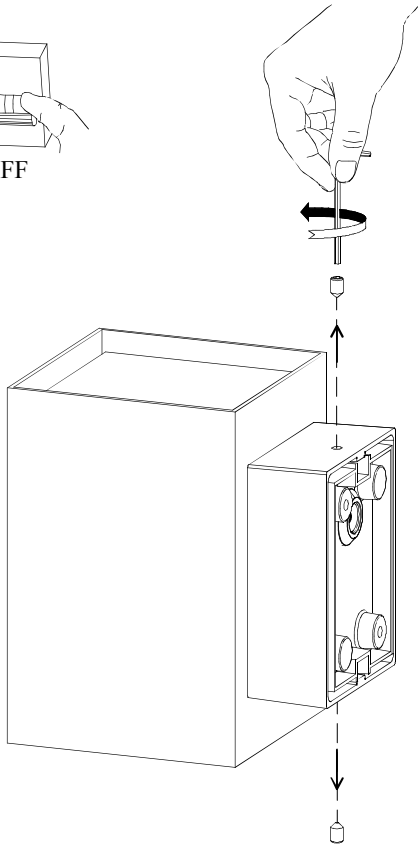
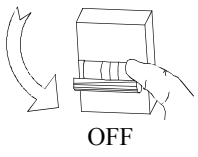


Installation template

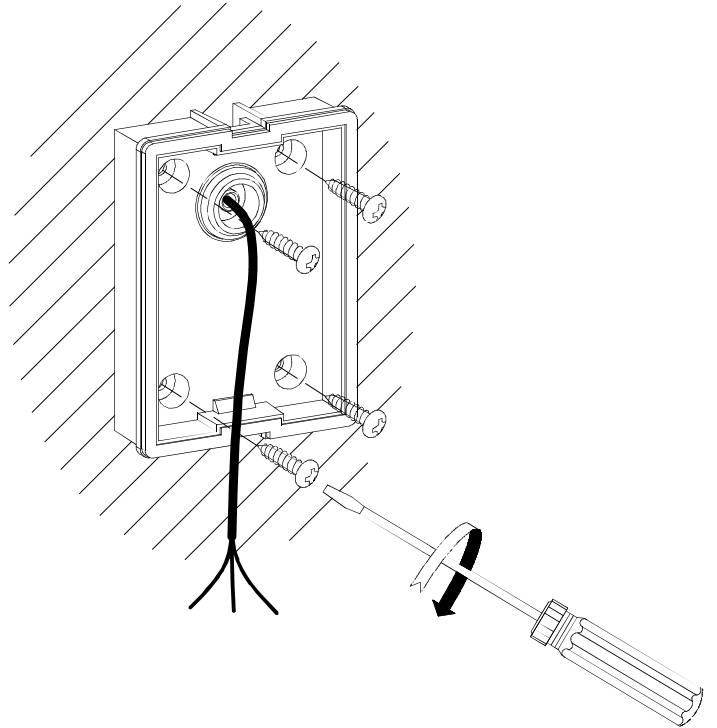


Installation template

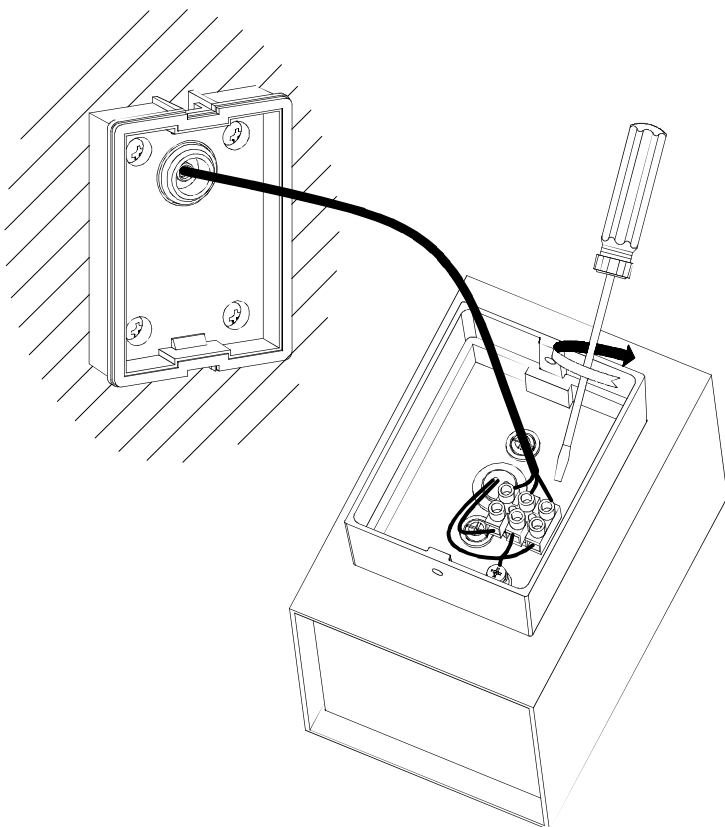
①



②



③



④

