

## DRICT


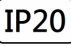



D85 & CO75mm 7W

CE IP20 LM80  ZigBee® 



LED WALL WASHER SPOT LIGHT. Housing: die-cast aluminium, powder-coated, designed as heat sink. Anti-glare reflector and diffusor system made of PMMA. LED module: high-power CREE LEDs Array, CRI>80, LM-80 performance approval >50,000 hours. Integrated-Type ELV, 0-10V, DALI, DMX and RDM LED constant current control gear.

## Technical Data

Luminaire Type- 安裝方式 Tipo de luminaria	Recessed Mount and Adjustable Type 嵌入式可調筒燈 Empotrar y tipo ajustable
Dimension-尺寸-Dimensión	Dia: 85 x H: 108 mm
Cut off Dimension-開孔尺寸-Cortar Dimensión	Dia 75 mm
QTY of LEDs-燈珠數量-CANT de LEDs	1 pcs CREE LED Array
Input Voltage-輸入電壓-Voltaje de entrada	AC220-240V 50/60HZ (with remote driver)
Power Consumption Max-燈具功率 Consumo de energía Max	7W
LED Driver Type LED驅動款式 Tipo de controlador LED	Remote-type LED Driver-Refer to LED driver specification 請參閱LED驅動器規格 Consulte la especificación de controlador de LED 1. ON/OFF Switch AC220-240V 50/60HZ 2. ELV Dimming Driver (5-100%) AC 100-120V 50/60Hz or AC 200-240V 50/60HZ 3. 0-10V Dimming Driver AC100-240V 50/60HZ 4. Dali Dimming Driver AC100-240V 50/60HZ 5. DMX Driver AC100-240V 50/60HZ 6. RDM Driver AC100-240V 50/60HZ 7. Emergency Backup >2 hours or >3 hours @ < 24 charger hours 應急電池/Copia de seguridad de emergencia
LED Driver Features 驅動特性 Funciones del controlador de LED	EFFICIENCY (Typ.): >85% MAX. No. of PSUs on 16A CIRCUIT BREAKER: 25 units (circuit breaker of type B) / 40 units (circuit breaker of type C at 230VAC)
Control Protocol-控制協議 Protocolo de Control	0-10V / Dali / DMX 512 / RDM / ZIGBEE Wireless Control
Beam Angle 光束角 ángulo de haz	15° 24° 35°
Light Source Brand-光源品牌-Fuente de luz de marca	CREE - ( Photobiological safety-IEC 62471 'Risk Group 1' (low risk) )
"Lumen Maintenance LM-80 Reported by TM-21"	1. L90(10k) = 50,700 hrs 2. L80(10k) > 63,500 hrs 3. L70(10k) > 63,500 hrs
LED Life-LED壽命-La vida del LED	>60,000 hours
Color Temperature -色溫 Temperatura del color	2700K / 3000K / 4000K / 5000K / 6500K
Color Rendering Index-顯色指數 Índice de reproducción cromática	> 80 or >90
MacAdam Ellipses Binning 麥克亞當橢圓分級 Mac Adam binning elipse	Standard Deviation Colour Matching < 3 SDCM 標準偏差配色 < 3 SDCM Coincidencia de color estándar Desviación < 3 SDCM
Luminaire Efficacy 燈具效率 La eficacia de la luminaria	75 Lm/w(2700K), 75 Lm/w(3000K), 80 Lm/w(4000K), 85 Lm/w(5000K), 85 Lm/w(6500K),
LED Source Luminous Efficacy LED光源光效 Fuente luminosa LED Eficacia	100 Lm/w(2700K), 100 Lm/w(3000K), 105 Lm/w(4000K), 120 Lm/w(5000K), 120 Lm/w(6500K),
Housing materials-外殼材料 Materiales de la carcasa	Die-cast aluminum and acrylic 壓鑄鋁和亞克力 Fundición de aluminio y acrílico
Housing Color 外殼顏色 color de la carcasa	Anodised Aluminium with black coating in headsink 陽極氧化鋁的散熱片加黑色塗層 Anodizado de aluminio con recubrimiento negro en el disipador de calor
Optical materials 光學材料 Materiales ópticos	Matte Black Matte White Gold
Trim Color-框邊顏色-Estilo Color	Matte white / Matte black 啞光白色 / 啞光黑色 Blanco mate / Matte black
Ingress Protection-防護等級 Protección de ingreso	IP20 - (IEC 60529)
Environment-使用環境-medio ambiente	Indoor
Comply Testing Standard 符合測試標準 Cumplir el estándar de prueba	LED Luminaires: IEC 60598-1 / IEC 60598-2-2 / Photometric data-IES format LED Driver: EN 55015 / IEC 61000-3-2 / IEC 61347-1 / IEC 61347-2-13 / IEC 61547W
Certification-認證-Certificación	    

Project	Fixture#	Date
		Firm



## Ordering Information

Choose the option that suits your need and write its corresponding code on the appropriate line to form the product code.

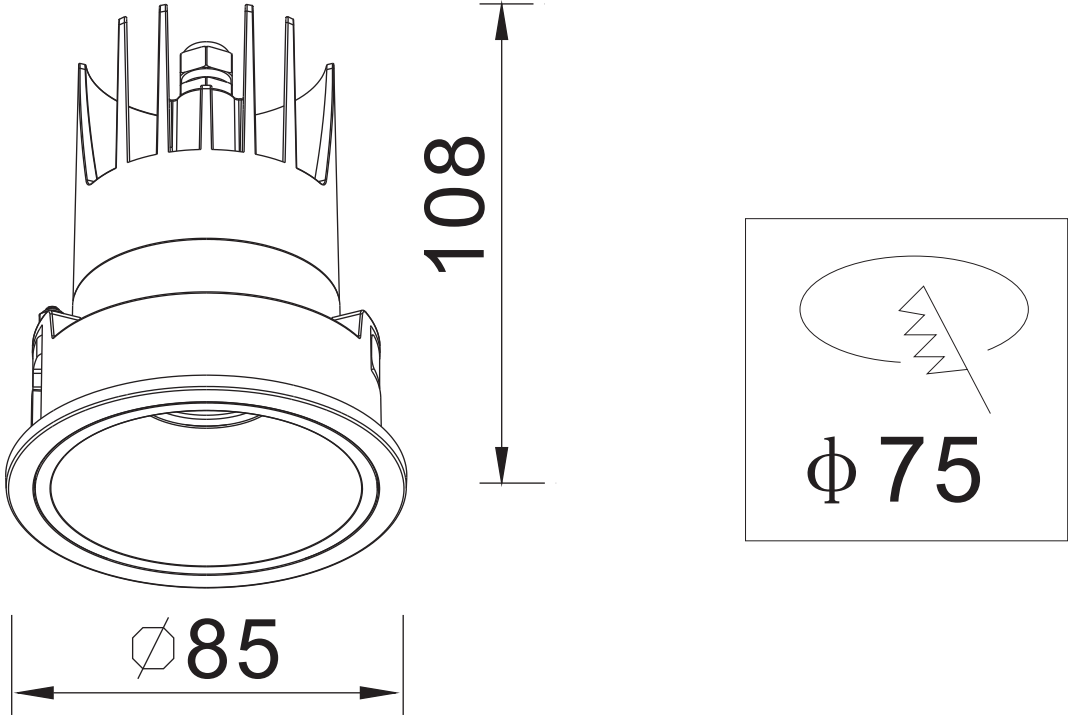
Example product code: [DRICT-7W-SW-40-S-90-MW-MW](#)

DRICT      7W      -      -      -      -      -      -      -      -

Power Consumption
LED Driver Type
Color Temperature
BEAM Angle
Color Rendering Index
Reflector Color
Trim Color

Power Consumption		LED Driver Type		Color Temperature		BEAM Angle		Color Rendering Index		Reflector Color		Trim Color	
Code	Description	Code	Description	Code	Description	Code	Description	Code	Description	Code	Description	Code	Description
7W	1 x 7W	SW	ON/OFF Switch	27	2700K	S	15°	80	>80	MB	Matte Black	MW	Matte white
		ELV	ELV Leading Edge Control	30	3000K	M	24°	90	>90	MW	Matte White	MB	Matte black
		AN	Analog 0 -10V Dimming	40	4000K	L	35°			G	Gold		
		DA	DALI Dimming	50	5000K								
		DMX	DMX Dimming	65	6500K								
		RDM	RDM Dimming										
		EM	Emergency Battery										
		ZI	ZIGBEE Wireless Control										

Technical Drawing



Unit: mm