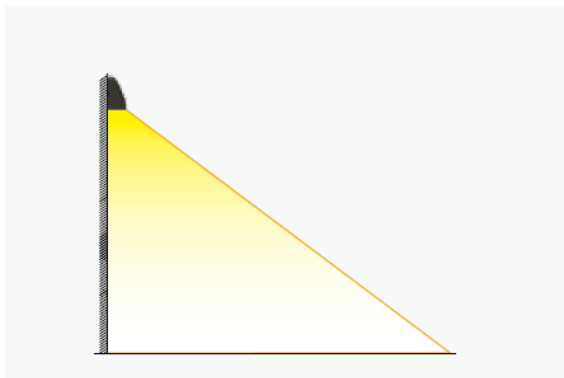


DSAR

10W-70W IP66



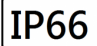




Asymmetric Optics



LED DOWN WALL LIGHT Housing: die-cast aluminium, powder-coated, designed as heat sink. Anti-glare reflector and diffuser system made of Polycarbonate. WALF wall light is low profile, light weight, designed for long life usage with no maintenance and great performance. This light is designed to quickly and easily upgrade traditional Slim Wall Pack light fixtures. Applications: schools, public buildings, etc. It's as well a great alternative to urban furniture due to its IP66 protection rating.

Technical Data

Luminaire Type-安裝方式-Tipo de luminaria	Surface Mounted Type明裝式燈具Superficie Tipo Montado
Power Consumption with LED Driver LED燈具包括LED驅動電源功率 Consumo de energía con controlador de LED	• 10W 16W 20W 22W 24W 26W 30W • 40W 50W 60W 70W
Input Voltage / 輸入電壓/Voltaje de entrada	• 100-240VAC/50-60HZ • 200-240VAC/50-60HZ @ Photocell
Control 控制Control	SW -ON/OFF Dali Control 0-10V Control Photocell Control
Power Factor / 功率因數/Factor de potencia	PF>0.90
Total Harmonic Distortion/總諧波失/Distorsión armónica total	THD<20%
Protection Against Surgers/防護措施/PROTECCIÓN CONTRA LAS PROMOCIONES:	1kV line-line 2kV line-earth
Light Source Brand-光源品牌-Fuente de luz de marca	NICHIA - (Photobiological safety-IEC 62471 'Risk Group 1' (low risk))
"Lumen Maintenance LM-80 Reported by TM-21"	L70(10k) > 60,000 hrs
LED Life-LED壽命-La vida del LED	>80,000 hours
Color Temperature色溫 Temperatura y color	2700K 3000K 4000K 5000K 6500K
Color Rendering Index-顯色指數 Índice de reproducción cromática	• >70 • >80
MacAdam Ellipses Binning 麥克亞當橢圓分級 Mac Adam binning ellipse	Standard Deviation Colour Matching < 3 SDCM 標準偏差配色< 3 SDCM Coincidencia de color estándar Desviación < 3 SDCM
Beam Angle光束角ángulo de haz	AS1 AS2
Luminaire Efficacy 燈具效率 La eficacia de la luminaria	110 Lm/w(2700K) 110 Lm/w(3000K) 125 Lm/w(4000K) 135 Lm/w(5000K) 135 Lm/w(6500K)
LED Source Luminous Efficacy LED光源光效 Fuente luminosa LED Eficacia	130 Lm/w(2700K) 130 Lm/w(3000K) 145 Lm/w(4000K) 155 Lm/w(5000K) 155 Lm/w(6500K)
Housing materials 外殼材料 Materiales de la carcasa	Die-cast aluminium and Polycarbonate 壓鑄鋁和聚碳酸酯 Aluminio fundido a presión y policarbonato
Housing Color 外殼顏色 color de la carcasa	Polyester powders Coating--Sliver gray 聚酯粉末塗料—銀灰色 Revestimiento en polvo de poliéster - Gris plata
Ingress Protection-防護等級 Protección de ingreso	IP66 - (IEC 60529)
Operating Temperature Range / 工作溫度範圍 Rango de temperatura de funcionamiento	-30 °C / +45 °C
Storage Temperature 儲藏溫度 Temperatura de almacenamiento	-40 °C / +70 °C
Operating Humidity -工作濕度 Humedad de funcionamiento	0~90%, non-condensing-不結霜 sin condensación
Dimension尺寸 Dimensión	• L:196 x W: 186 x H: 96 mm Below 30W • L: 282 x W: 205 x H: 125 mm Below 70W
Net Weight 淨重 Peso Neto	• 1.67 ± 0.2 kg @ L:196 x W: 186 x H: 96 mm • 3.34 ± 0.2 kg @ L: 282 x W: 205 x H: 125 mm
Country of Design 設計國家 / País de diseño	United Kingdom 英國
Certificate Standard Complied 符合安規標準 estándar certificado de cumplimiento	LED Luminaries: IEC / EN 60598-1;IEC/EN 60598-2-5; IEC TR62778 IEC62471 (RG1); IEC 62031; EN62493 RoHS LED Driver: IEC/EN 61347-1; IEC/EN 61347-2-13; IEC/EN 62384; IEC/EN 61000-3-2; IEC/EN 61000-3-3;IEC/EN61574;EN 55015
Certification-認證-Certificación	    

Project	Fixture#	Date
		Firm



Ordering Information

Choose the option that suits your need and write its corresponding code on the appropriate line to form the product code.

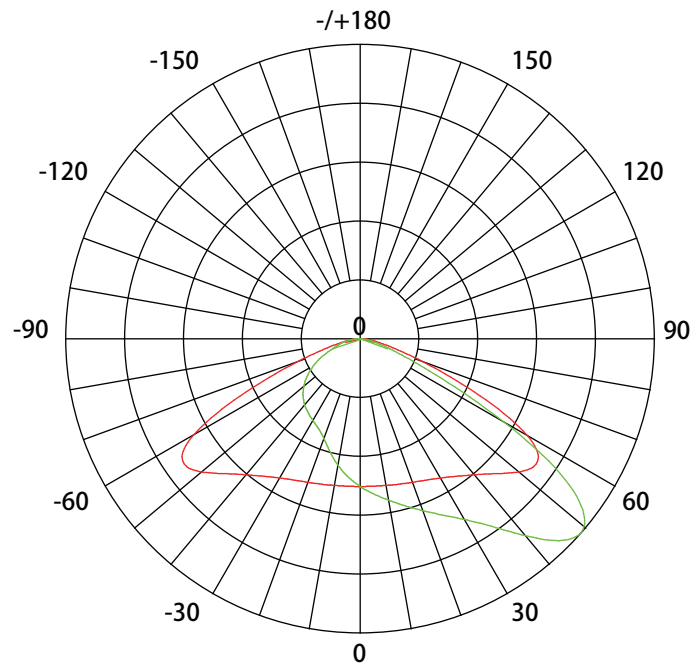
Example product code: [DSAR-70W](#)

DSAR - -

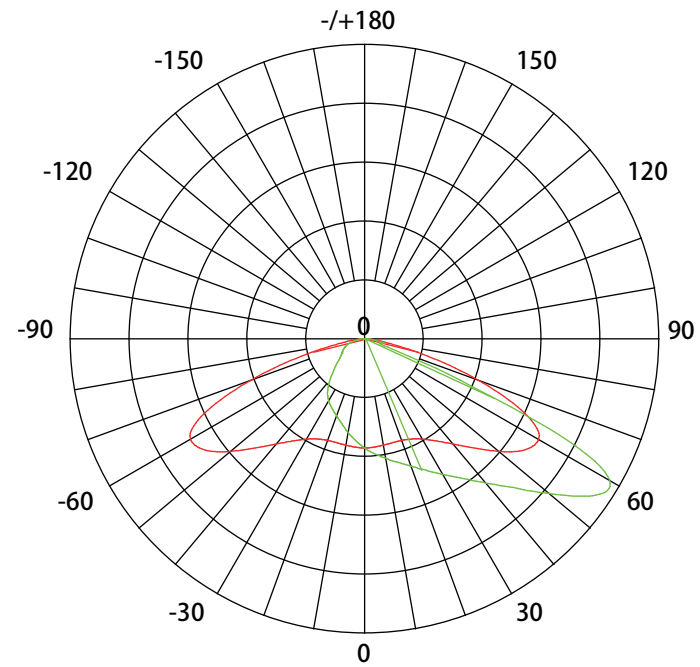
POWER
CONSUMPTION

POWER CONSUMPTION	
Code	Description
10W	10W @ L:196 x W: 186 x H: 96 mm
16W	16W @ L:196 x W: 186 x H: 96 mm
20W	20W @ L:196 x W: 186 x H: 96 mm
22W	22W @ L:196 x W: 186 x H: 96 mm
24W	24W @ L:196 x W: 186 x H: 96 mm
26W	26W @ L:196 x W: 186 x H: 96 mm
30W	30W @ L:196 x W: 186 x H: 96 mm
40W	40W @ L: 282 x W: 205 x H: 125 mm
50W	50W @ L: 282 x W: 205 x H: 125 mm
60W	60W @ L: 282 x W: 205 x H: 125 mm
70W	70W @ L: 282 x W: 205 x H: 125 mm

BEAM ANGLE

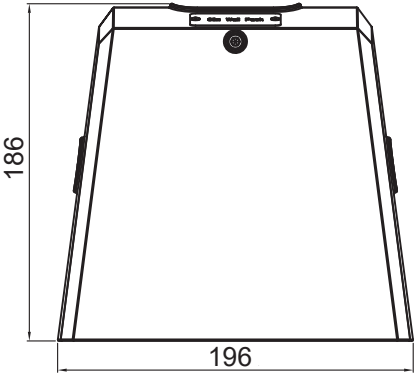


AS 1

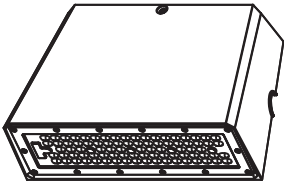
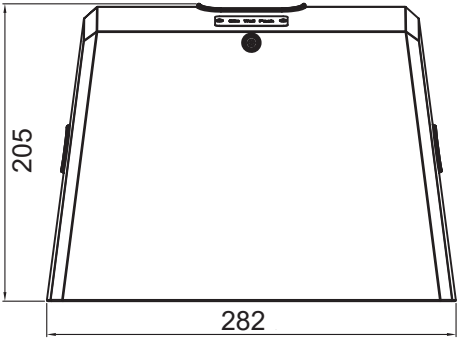


AS 2

Technical Drawing



10W to 30W



40W to 70W

Unit: mm

