

## F-SPAMY-S

Dia 69mm 10W MAX IP66



Patent owned design, fashion and beautiful appearance, adopt isolated two bodies design could have the separate heat dissipation fully ensure the stability and long lifespan of LED light. Housing adopts high pressure die-casting aluminum, lampshade adopts high strength toughened glass, resist the impact and friction. Adopt American CREE original LED light source, high flux output, excellent consistency of light color.

# F-SPAMY-S

Dia 69mm 10W MAX IP66

## Technical Data

Installation Method / 安裝方式 Metodo de instalacion	U Shape Bracket Mounted / Spike Mounted / Tree Mounted U型支架安裝 / 地插安裝 / 籬樹安裝 Soporte en forma de U montado / Montado sobre clavos / Montado sobre árbol
Optical Accessories / 光學配件 Accesorios ópticos	Cylindrical Hood / Cylindrical Hood Angle 45° 圓柱形罩 / 圓柱形罩角度 45° Capó cilíndrico / ángulo de capó cilíndrico 45°
Dimension-尺寸-Dimensión	Refer to Technical Drawing 請參閱技術圖紙 Consulte el dibujo técnico
QTY of LEDs-燈珠數量-CANT de LEDs	1 x CREE COB
Input Voltage-輸入電壓-Voltaje de entrada	AC220V - 240V 50/60Hz (Integrated-type LED Driver / 內置LED驅動 / Controlador de LED de tipo integrado) DC24V+DMX512
Power Consumption / 燈具功率 Consumo de energia	5W 8W 10W
Control Protocol-控制協議 Protocolo de Control	1-10V / DALI / DMX 512 / RDM / ZIGBEE Wireless Control
Beam Angle 光束角 ángulo de haz	15° 24° 36° 60° 15*60° 30*60
Light Source Brand-光源品牌-Fuente de luz de marca	COB LED
"Lumen Maintenance LM-80 Reported by TM-21"	L70 54,000 hrs
LED Life-LED壽命-La vida del LED	>100,000 hours
Color Temperature -色溫 Temperatura del color	2700K / 3000K / 4000K / 5000K / 6500K RGBW(4000K , 5000K) for DMX Version RGBWW (2700K to 6500K) for DMX Version
Color Rendering Index-顯色指數 Índice de reproducción cromática	> 80
MacAdam Ellipses Binning 麥克亞當橢圓分級 Mac Adam binning elipse	Standard Deviation Colour Matching < 3 SDCM 標準偏差配色 < 3 SDCM Coincidencia de color estándar Desviación < 3 SDCM
Luminaire Efficacy 燈具效率 La eficacia de la luminaria	70 Lm/w(2700K), 75 Lm/w(3000K), 80 Lm/w(4000K), 85 Lm/w(5000K), 85 Lm/w(6500K), 65lm/w (RGBW) 65lm/w(RGBWW)
LED Source Luminous Efficacy LED光源光效 Fuente luminosa LED Eficacia	120 Lm/w(2700K), 130 Lm/w(3000K), 130 Lm/w(4000K), 140 Lm/w(5000K), 140 Lm/w(6500K), 90lm/w (RGBW) 90lm/w(RGBWW)
Housing materials-外殼材料 Materiales de la carcasa	Die-cast aluminum, Optical Lens & T4 tempered glass 壓鑄鋁、光學透鏡T4鋼化玻璃 Aluminio fundido, lente óptica y vidrio templado T4
Housing Color 外殼顏色 color de la carcasa	Matt Black / Matt White 啞光黑/啞光白 Negra mate / blanca mate
Operating Temperature Range / 工作溫度範圍 Rango de temperatura de funcionamiento	-30 °C / +50 °C
Operating Humidity -工作濕度 Humedad de funcionamiento	0~90%, non-condensing-不結霜 sin condensación
Ingress Protection-防護等級 Protección de ingreso	IP66
Mech impact protection 機械衝擊保護 Protección contra impactos mecánicos	IK08
Comply Testing Standard 符合測試標準 Cumplir el estándar de prueba	LED Luminaires: IEC 60598-1 / IEC 60598-2-2 / Photometric data-IES format LED Driver: EN 55015 / IEC 61000-3-2 / IEC 61347-1 / IEC 61347-2-13 / IEC 61547

Certification-認證-Certificación



Project	Fixture#	Date
		Firm



## Ordering Information

Choose the option that suits your need and write its corresponding code on the appropriate line to form the product code.

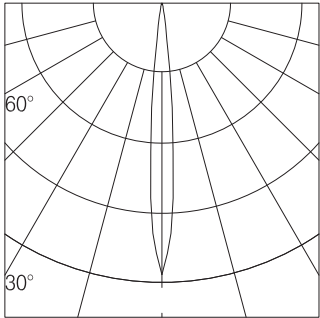
Example product code: [F-SPAMY-5W](#)

F-SPAMY-S - - \_\_\_\_\_  
Power Consumption

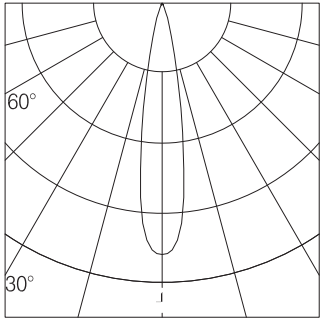
Power Consumption	
Code	Description
<a href="#">5W</a>	5W
<a href="#">8W</a>	8W
<a href="#">10W</a>	10W

BEAM ANGLE

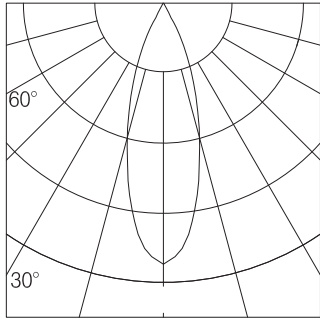
10°



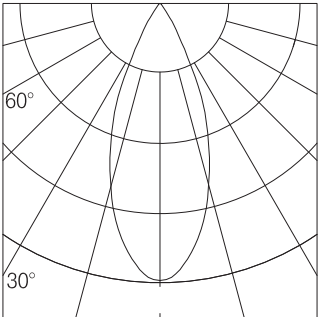
15°



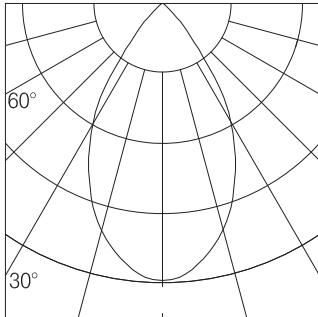
24°



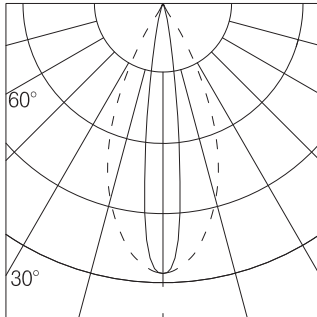
36°



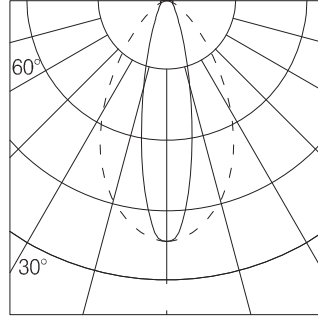
60°



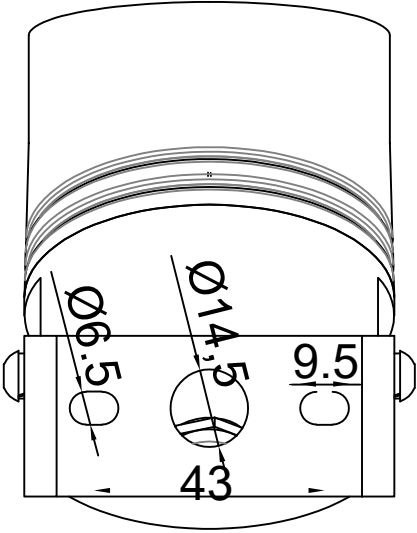
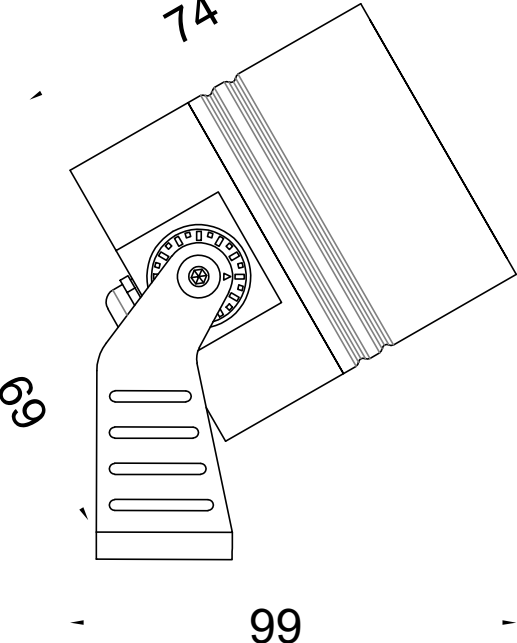
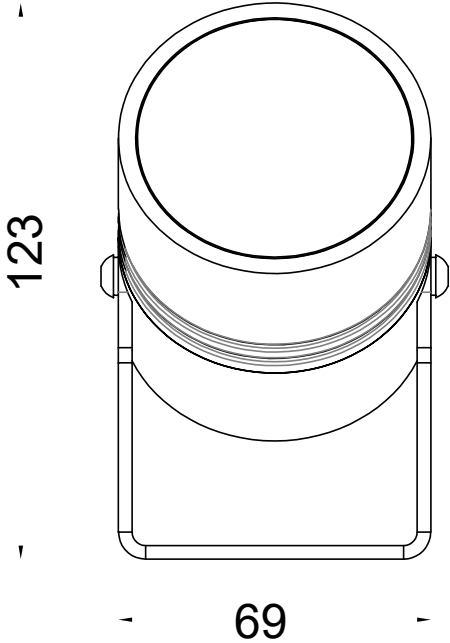
15°x 60°



30°x 60°



Technical Drawing



Unit: mm