

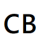


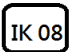
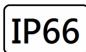

## FLARE

30W-200W IP66



- Internal pure Aluminium heatsink with cold forge technology, which provide 50% higher thermal efficiency than die-cast materials.
- Combined with high end Meanwell drivers and long life Nichia LED chips, defines a top class of flood light.
- Die-cast aluminium luminaire with symmetrical light distribution.
- Provide 5 options of optic lens, apply to wide range of architectural and outdoor applications.

## Technical Data

Luminaire Type-安裝方式-Tipo de luminaria	Surface Mounted and Adjustable Type 明裝可調安裝腳 Tipo montado en superficie y ajustable
Power Consumption with LED Driver LED燈具包括LED驅動電源功率 Consumo de energía con controlador de LED	20W 30W 40W 50W 60W 70W 80W 100W 120W 150W 180W 200W
Input Voltage / 輸入電壓/Voltaje de entrada	220-240VAC/50-60HZ
Control 控制Control	SW -ON/OFF DALI Control 0/1-10V Control DMX Zigbee Wireless Control
Power Factor / 功率因數/Factor de potencia	PF>0.95
Total Harmonic Distortion/總諧波失/Distorsión armónica total	THD<15
Protection Against Surges/防護措施/PROTECCIÓN CONTRA LAS PROMOCIONES:	6kV line-line 12kV line-earth
Light Source Brand-光源品牌-Fuente de luz de marca	Japan Nichia or U.S.A CREE or Osram Blue Light Risk Group of LED Flood Light : RG1 (Risk Group 1)
LED Life-LED壽命-La vida del LED	>54,000 hours
Color Temperature色溫 Temperatura y color	3000K 4000K 5000K 6500K
Color Rendering Index-顯色指數 Índice de reproducción cromática	>70 or >80
MacAdam Ellipses Binning 麥克亞當橢圓分級 Mac Adam binning ellipse	Standard Deviation Colour Matching < 3 SDCM 標準偏差配色< 3 SDCM Coincidencia de color estándar Desviación < 3 SDCM
Beam Angle光束角ángulo de haz	Symmetric: 30° 60° 90° Asymmetric: 90 x 120° 75 x 135°
Luminaire Efficacy 燈具效率 La eficacia de la luminaria	130 Lm/w(3000K) @CRI >70 ; 125 Lm/w(3000K) @CRI >80 135 Lm/w(4000K) @CRI >70 ; 130 Lm/w(4000K) @CRI >80 140 Lm/w(5000K) @CRI >70 ; 135 Lm/w(5000K) @CRI >80 140 Lm/w(6500K) @CRI >70 ; 135 Lm/w(6500K) @CRI >80
LED Source Luminous Efficacy LED光源光效 Fuente luminosa LED Eficacia	150 Lm/w(3000K) @CRI >70 ; 140 Lm/w(3000K) @CRI >80 160 Lm/w(4000K) @CRI >70 ; 150 Lm/w(4000K) @CRI >80 170 Lm/w(5000K) @CRI >70 ; 160 Lm/w(5000K) @CRI >80 170 Lm/w(6500K) @CRI >70 ; 160 Lm/w(6500K) @CRI >80
Housing materials 外殼材料 Materiales de la carcasa	Die-cast aluminium and Tempered glass 壓鑄鋁和鋼化玻璃 Die fundición de aluminio y vidrio templado
Housing Color 外殼顏色 color de la carcasa	Polyester powders Coating--Matte Black 聚酯粉末塗料--啞光黑色 Polvos de poliéster Revestimiento--Matte Black
Ingress Protection-防護等級 Protección de ingreso	IP66 - (IEC 60529)
Mech impact protection 機械衝擊保護 Protección contra impactos mecánicos	IK08
Operating Temperature Range / 工作溫度範圍 Rango de temperatura de funcionamiento	-30 °C / +45 °C
Storage Temperature 儲藏溫度 Temperatura de almacenamiento	-40 °C / +70 °C
Operating Humidity -工作濕度 Humedad de funcionamiento	0~90%, non-condensing-不結霜 sin condensación
Dimension 尺寸 Dimensión	20W 30W @ 168 x 130 x 69mm 40W 50W 60W 70W 80W @ 270 x 220 x 93mm 100W 120W 150W @ 350 x 280 x 111mm 180W 200W @ 400 x 320 x 126mm
Net Weight 淨重 Peso Neto	20W 30W 1.4kg 40W 50W 60W 4.1kg 70W 80W 4.3kg 100W 120W 150W 6.9kg 180W 200W 8.5kg
Country of Design 設計國家 / País de diseño	United Kingdom 英國
Certificate Standard Complied 符合安規標準 estándar certificado de cumplimiento	LED Luminaries: IEC / EN 60598-1;IEC/EN 60598-2-5; IEC TR62778 IEC62471 (RG1);IEC 62031; EN62493 RoHS LED Driver: IEC/EN 61347-1; IEC/EN 61347-2-13; IEC/EN 62384; IEC/EN 61000-3-2; IEC/EN 61000-3-3;IEC/EN61574;EN 55015
Certification-認證-Certificación	     

Project	Fixture#	Date
		Firm



## Ordering Information

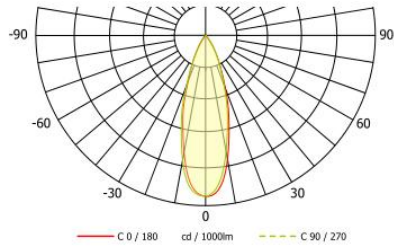
Choose the option that suits your need and write its corresponding code on the appropriate line to form the product code.

Example product code: [FLARE-100W](#)

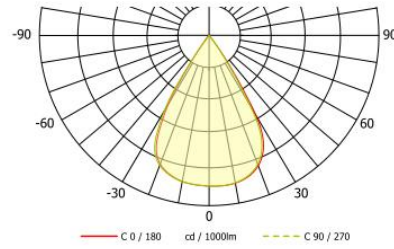
FLARE - - \_\_\_\_\_  
 POWER  
 CONSUMPTION

POWER CONSUMPTION	
Code	Description
<a href="#">20W</a>	20W
<a href="#">30W</a>	30W
<a href="#">40W</a>	40W
<a href="#">50W</a>	50W
<a href="#">60W</a>	60W
<a href="#">70W</a>	70W
<a href="#">80W</a>	80W
<a href="#">100W</a>	100W
<a href="#">120W</a>	120W
<a href="#">150W</a>	150W
<a href="#">180W</a>	180W
<a href="#">200W</a>	200W

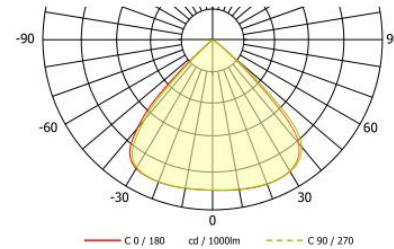
# BEAM ANGLE



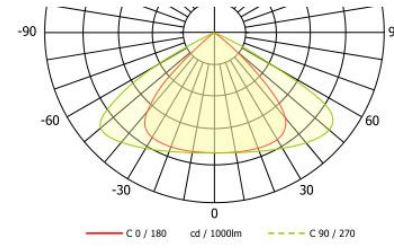
Average beam angle(50%): 30°



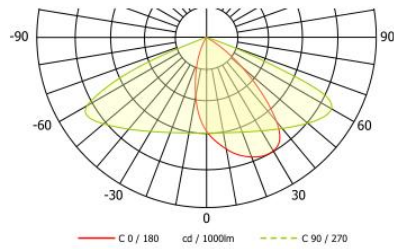
Average beam angle(50%): 60°



Average beam angle(50%): 90°



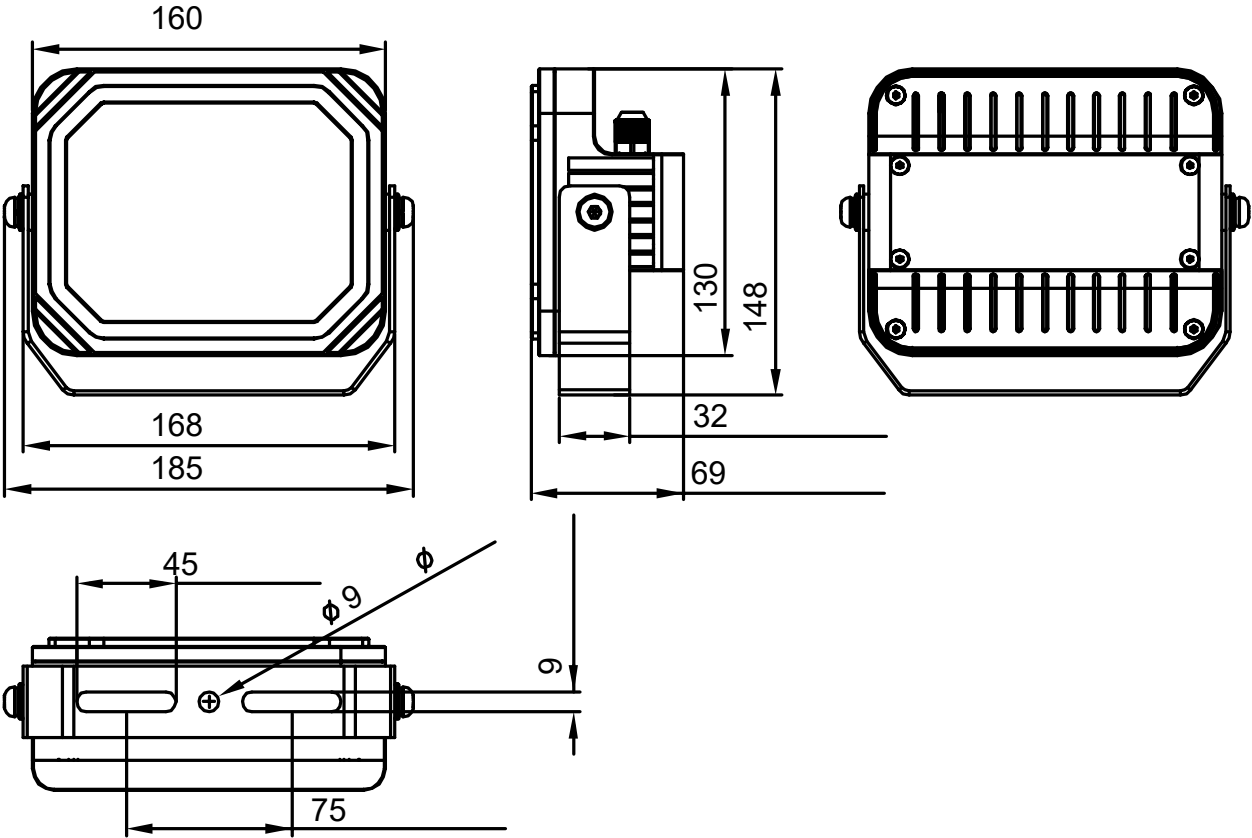
Average beam angle(50%): 90\*120°



Average beam angle(50%): 75x135°

Technical Drawing

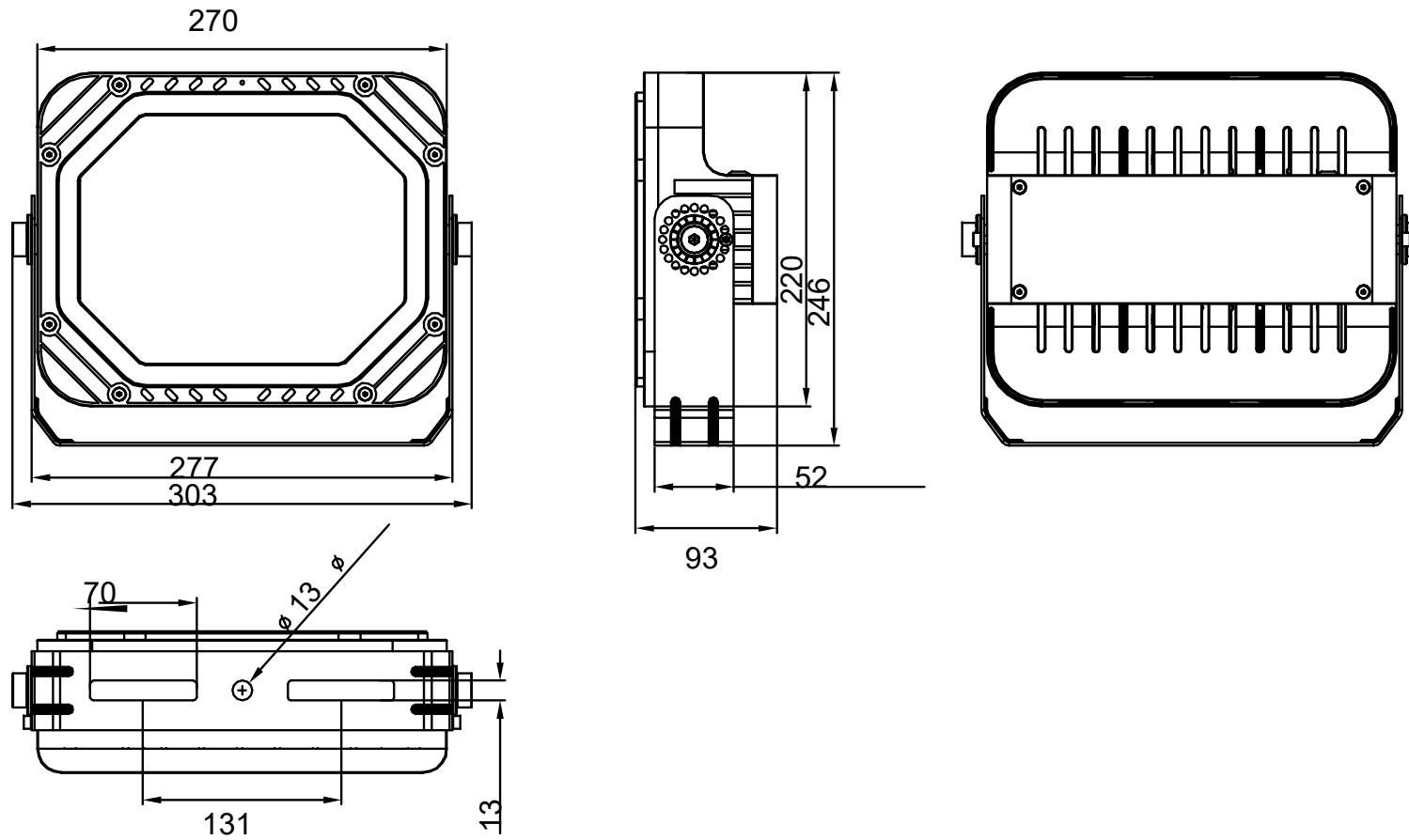
20W / 30W



Unit: mm

Technical Drawing

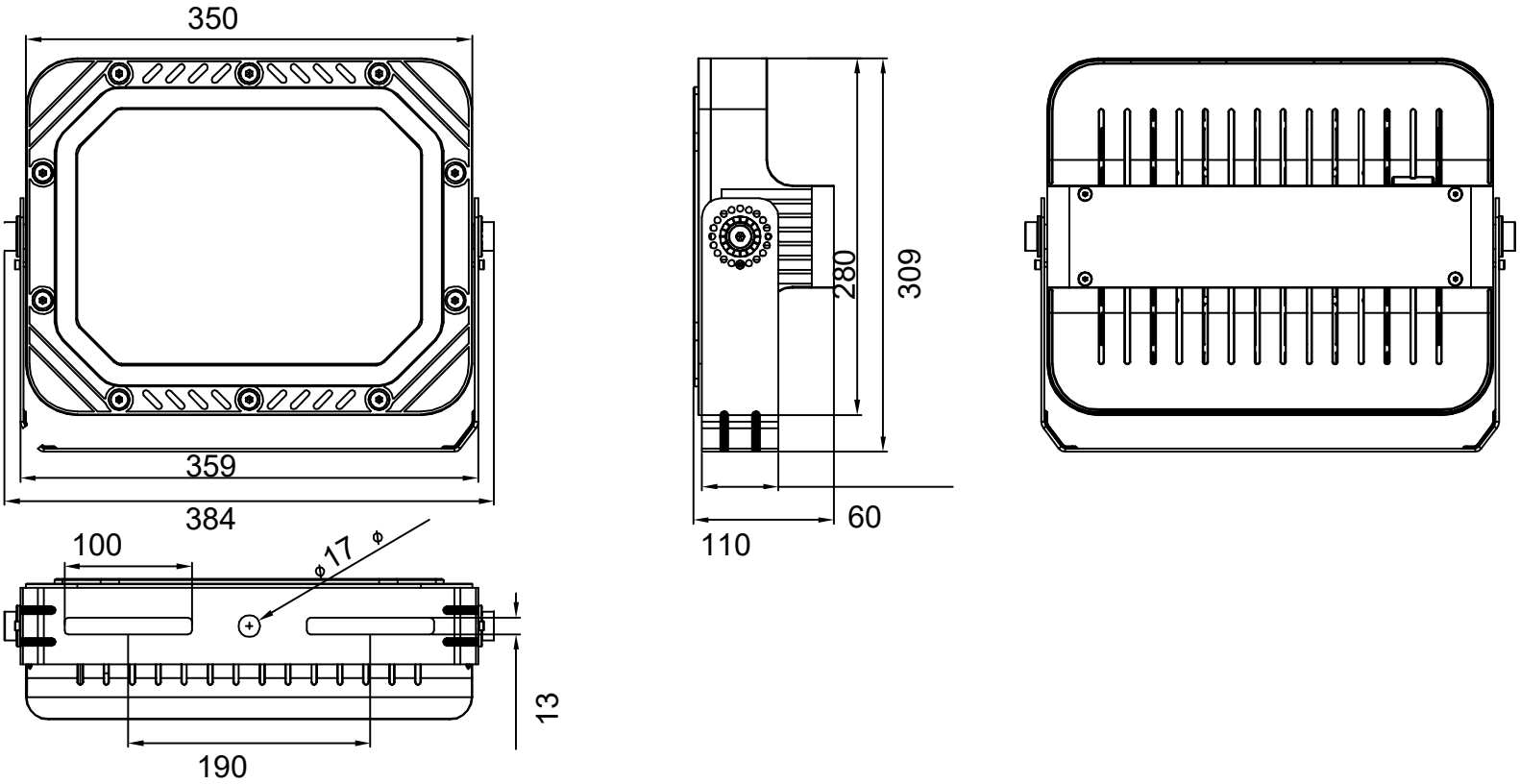
40W / 50W / 60W / 70W / 80W



Unit: mm

Technical Drawing

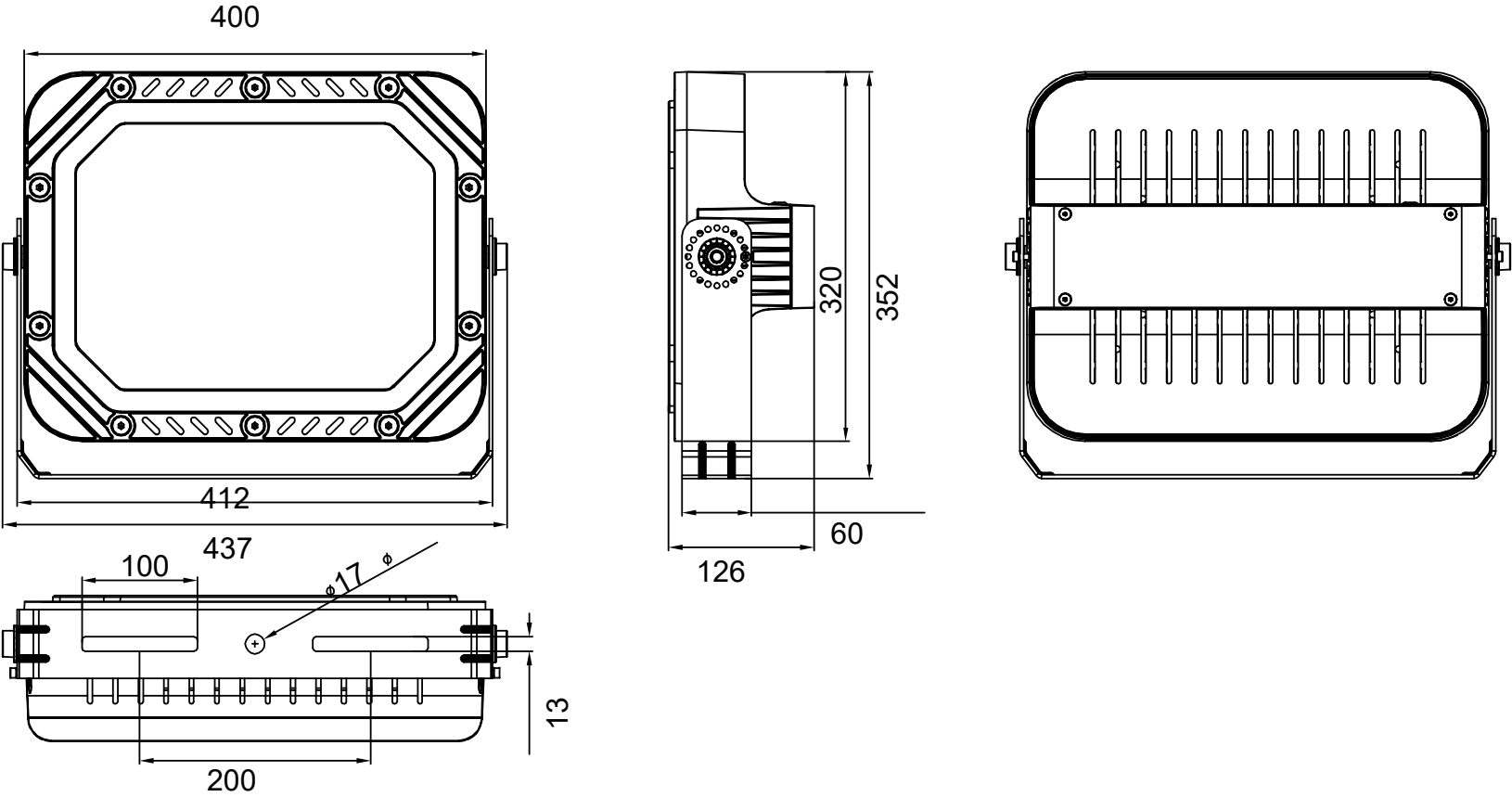
100W / 120W / 150W



Unit: mm

Technical Drawing

180W / 200W



Unit: mm