

FLARE-ECO

50W-200W IP66



LED Flood Light IP66. The fixture is finished by die-cast aluminium with separated and integrated LED driver box, with surface anti-ageing electrostatic spray processing, super resistance to corrosion and rotated bracket, Gaskets in anti-aging rubber, clear tempered glass.

Technical Data

Installation method / 安裝方式 Metodo de instalacion	Surface Mounted and Adjustable Type 明裝可調安裝腳 Tipo montado en superficie y ajustable		
Power Consumption with LED Driver LED燈具包括LED驅動電源功率 Consumo de energía con controlador de LED	• 30W	40W	50W
	• 80W	90W	100W
	• 130W	140W	150W
	• 170W	180W	200W
Input Voltage / 輸入電壓/Voltaje de entrada	220-240VAC/50-60HZ		
Control 控制Control	0-10V / DALI		
Power Factor / 功率因數/Factor de potencia	PF>0.90		
Total Harmonic Distortion/總諧波失/Distorsión armónica total	THD <20%		
Light Source Brand-光源品牌-Fuente de luz de marca	CREE / Osram		
"Lumen Maintenance LM-80 Reported by TM-21"	L70 > 5,4000 hrs		
LED Life-LED壽命-La vida del LED	>100,000 hours		
Color Temperature色溫 Temperatura y color	2700K / 3000K / 4000K / 5000K / 6500K		
Color Rendering Index-顯色指數 Índice de reproducción cromática	>70 >80		
MacAdam Ellipses Binning 麥克亞當橢圓分級 Mac Adam binning elipse	Standard Deviation Colour Matching < 3 SDCM 標準偏差配色 < 3 SDCM Coincidencia de color estándar Desviación < 3 SDCM		
Beam Angle光束角ángulo de haz	60°	90°	Asymetric
Luminaire Efficacy 燈具效率 La eficacia de la luminaria	120 Lm/w(2700K), 140 Lm/w(5000K),	130 Lm/w(3000K), 140Lm/w(6500K),	130 Lm/w(4000K),
LED Source Luminous Efficacy LED光源光效 Fuente luminosa LED Eficacia	150 Lm/w(2700K), 170 Lm/w(5000K),	160 Lm/w(3000K), 170 Lm/w(6500K),	160 Lm/w(4000K),
Housing materials 外殼材料 Materiales de la carcasa	Die-cast aluminium and Tempered glass 壓鑄鋁和鋼化玻璃 Die fundición de aluminio y vidrio templado		
Housing Color 外殼顏色 color de la carcasa	Polyester powders Coating--Matte Black 聚酯粉末塗料—啞光黑色 Polvos de poliéster Revestimiento--Matte Black		
Ingress Protection-防護等級 Protección de ingreso	IP66		
Operating Temperature Range / 工作溫度範圍 Rango de temperatura de funcionamiento	-20 °C / +50 °C		
Storage Temperature 儲藏溫度 Temperatura de almacenamiento	-40 °C / +70 °C		
Operating Humidity -工作濕度 Humedad de funcionamiento	0~100%, non-condensing-不結霜 sin condensación		
Dimension尺寸 Dimensión	Refer to Drawing		
Certificate Standard Complied 符合安規標準 estándar certificado de cumplimiento	LED Luminaries: IEC / EN 60598-1;IEC/EN 60598-2-5; IEC TR62778 IEC62471 (RG1); IEC 62031; EN62493 RoHS LED Driver: IEC/EN 61347-1; IEC/EN 61347-2-13; IEC/EN 62384; IEC/EN 61000-3-2; IEC/EN 61000-3-3;IEC/EN61574;EN 55015		

Certification-認證-Certificación



Project	Fixture#	Date
		Firm

Ordering Information

Choose the option that suits your need and write its corresponding code on the appropriate line to form the product code.

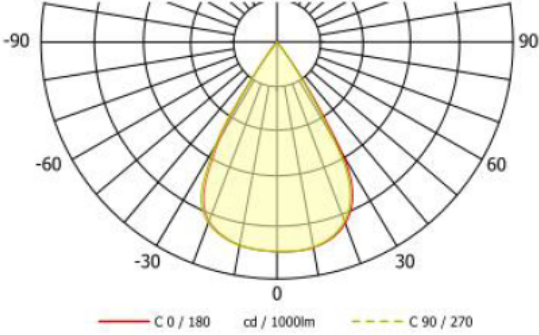
Example product code: [FLARE-100W](#)

FLARE- - _____
 POWER
 CONSUMPTION

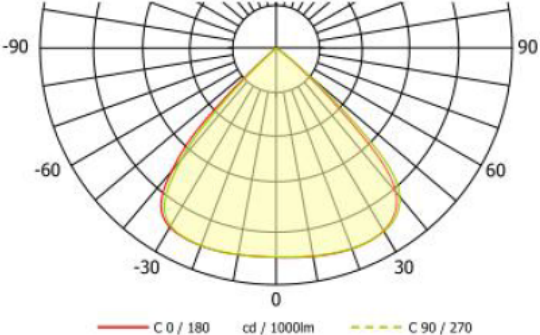
POWER CONSUMPTION	
Code	Description
30W	30W
40W	40W
50W	50W
80W	80W
90W	90W
100W	100W
130W	130W
140W	140W
150W	150W
170W	170W
180W	180W
200W	200W



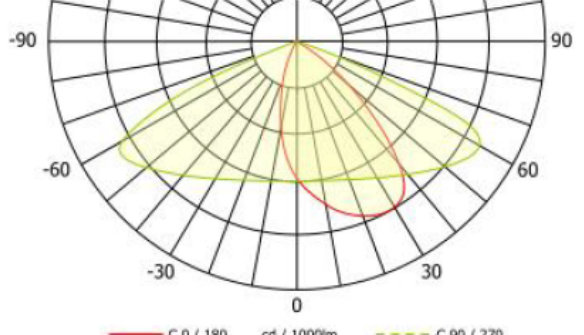
BEAM ANGLE



Average beam angle(50%): 60°



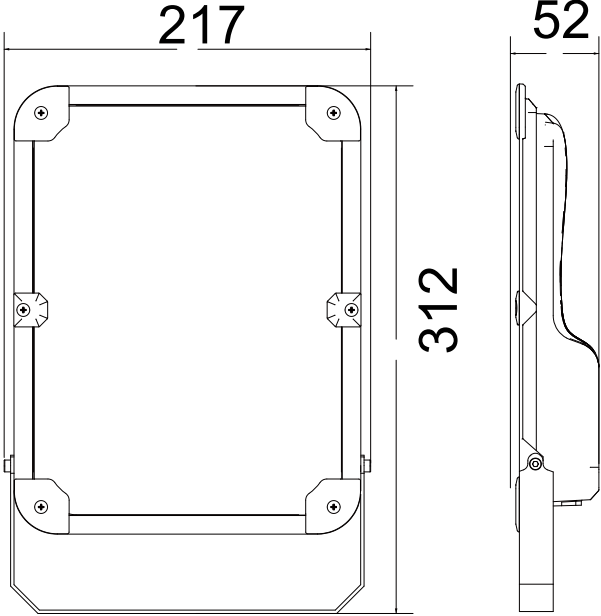
Average beam angle(50%): 90°



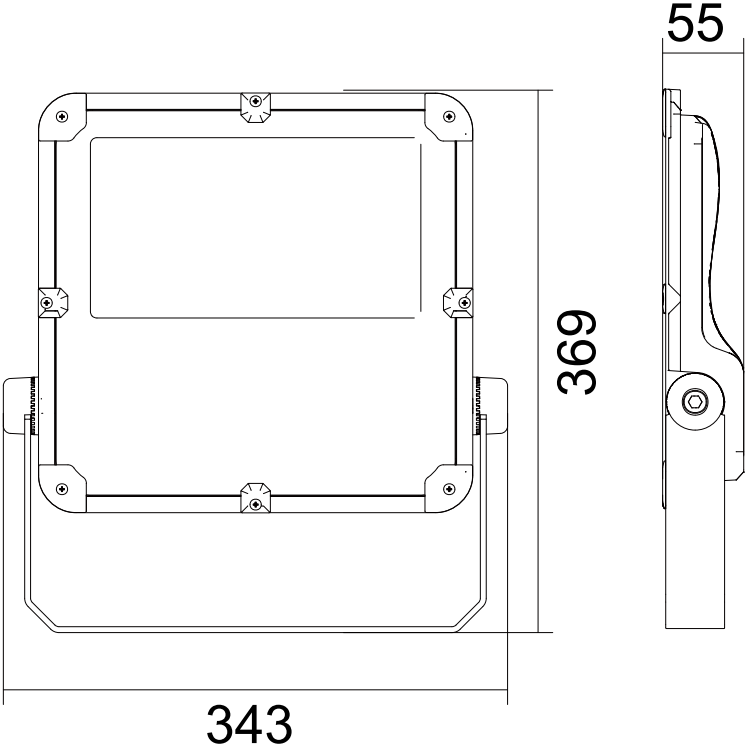
Average beam angle(50%): 75x135°

Technical Drawing

30-50W

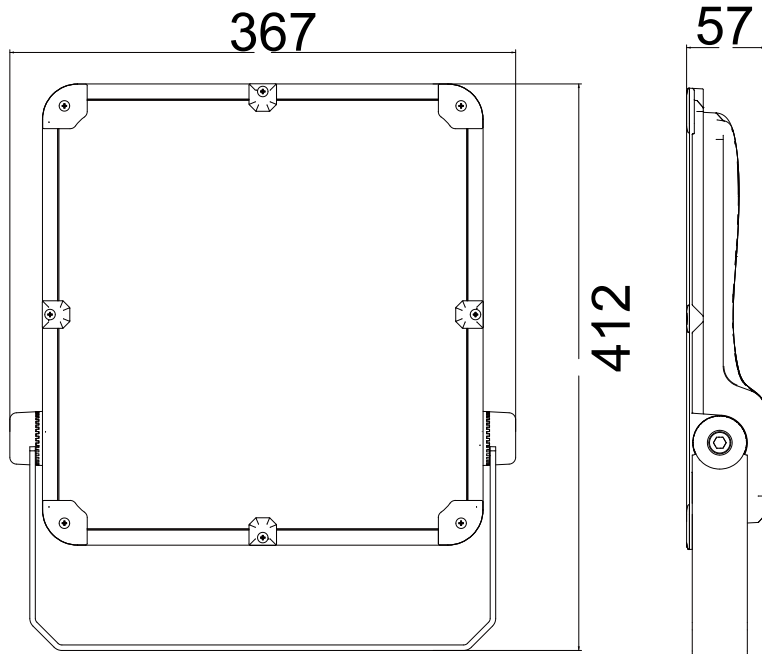


80-100W

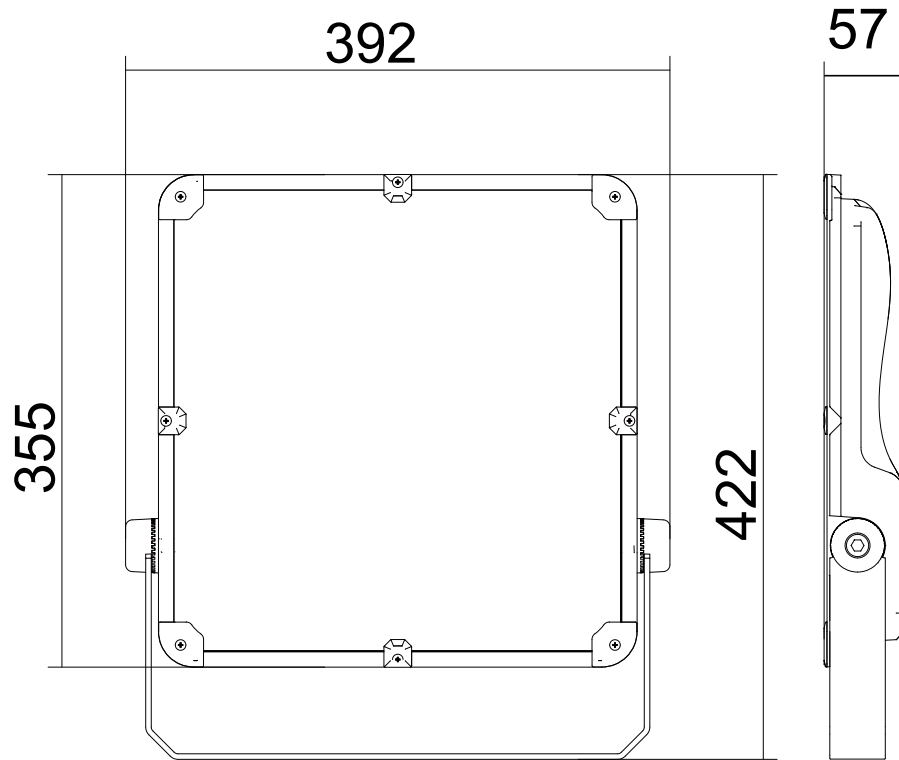


Unit: mm

130-150W



170-200W



Unit: mm