












FLARRY

210W-360W Max IP66



LED Flood Light IP66. The fixture coated with electrophoresis and powder for excellent anti-corrosion performance. It is durable with great performance. It also goes through rigorous test which reaches excellent IP66 and IK08 rating. Die-cast aluminium. separate electric housing with super white tempered glass. Many different optical lens and reflector to distribute Asymmetric & symmetric beam angle. Bracket design to adjustable installation angle.

Technical Data

Luminaire Type/ 安裝方式 / Tipo de luminaria	Surface Mount and Adjustable Type-Adjustment Options 明裝可調安裝 Montaje en superficie y opciones de ajuste de tipo ajustable
Power Consumption Max 燈具功率 Consumo de energía Max	<ul style="list-style-type: none"> • 210W @ RGBW 90pcs LEDs(24R 24G 24B 18W) • 270W @ RGBW(4 in 1) 40pcs LEDs • 300W @ Mono @ 90pcs LEDs • 360W @ RGBW(4 in 1) 40pcs LEDs
Input Voltage / 輸入電壓 Voltaje de entrada	AC100V - 305V 50/60Hz
LED Driver Type LED驅動款式 Tipo de controlador LED	Integrated-type LED Driver--Refer to LED driver specification 請參閱LED驅動器規格 Consulte la especificación de controlador de LED 1. ON/OFF Switch AC100-305V 50/60HZ 2. 1-10V Dimming Driver AC100-240V 50/60HZ 3. Dali Dimming Driver AC100-240V 50/60HZ 4. DMX Driver AC100-240V 50/60HZ 5. RDM Driver AC100-240V 50/60HZ
LED Driver Features / 驅動特性 Funciones del controlador de LED	POWER FACTOR : PF10.90 @ Full Load TOTAL HARMONIC DISTORTION: THD < 20%
Pixels & DMX Channels 像素和DMX 通道 Píxeles y canales DMX	1Pixel (1 DMX Channel @ Mono; 4 DMX Channel @ RGBW)
Control Protocol/控制協議 Protocolo de Control	1-10V / Dali/ DMX 512 / RDM
Beam Angle/光東角ángulo de haz	2.6° 3.5° 12° 20° 30° 60° 10° x 70° 5° x 20° @ Mono @ RGBW 8° 25° 10°x 45° @ RGBW(4 in 1)
Light Source Brand/光源品牌 Fuente de luz de marca	CREE
"Lumen Maintenance LM-80 Reported by TM-21"	L90(10k) = 50,700 hrs / L80(10k) > 63,500 hrs / L70(10k) > 63,500 hrs
LED Life/LED壽命La vida del LED	>60,000 hours
Color Temperature / 色溫 Temperatura del color	MONO:2700K / 3000K / 4000K / 5000K / 6500K RGBW (White: O: 2700K W: 3000K N: 4000K D:5000K C: 6500K)
Color Rendering Index/顯色指數 Índice de reproducción cromática	>80@White Color / >90@White Color
MacAdam Ellipses Binning 麥克亞當橢圓分級 Mac Adam binning ellipse	Standard Deviation Colour Matching < 3 SDCM 標準偏差配色 < 3 SDCM Coincidencia de color estándar Desviación < 3 SDCM
Luminaire Efficacy 燈具效率 La eficacia de la luminaria	<ul style="list-style-type: none"> • 90 Lm/w @ 2700K • 110 Lm/w @ 5000K • 50 Lm/W @ RGBW
LED Source Luminous Efficacy LED光源光效 Fuente luminosa LED Eficacia	<ul style="list-style-type: none"> • 90 Lm/w @ 2700K • 140 Lm/w @ 5000K • 90 Lm/W @ RGBW
Housing materials/外殼材料 Materiales de la carcasa	Die-Casted Aluminium and Tempered Glass 壓鑄鋁及鋼化玻璃 Aluminio fundido a presión y vidrio templado
Housing Color/ 外殼顏色 Color de la carcasa	Powder Coated in Silver Grey- UV Resistant powder coating for Anti-corrosion Protection 銀灰色粉末塗料 (抗紫外線和抗腐蝕) Recubrimiento en polvo en gris plateado - Recubrimiento en polvo resistente a los rayos UV para protección anticorrosión Tailor-made/客制生產-Hecho a medida
Ingress Protection/ 防護等級 Protección de ingreso	IP66
Mech impact protection 機械衝擊保護 Protección contra impactos mecánicos	IK08
Operating Temperature Range / 工作溫度範圍 Rango de temperatura de funcionamiento	-30 °C / +50 °C / -22 °F / +122 °F
Operating Humidity -工作濕度 Humedad de funcionamiento	0~90%, non-condensing-不結霜 sin condensación
Dimension/尺寸/Dimensión	<ul style="list-style-type: none"> • L: 821 x W: 240 x H: 329 mm @ Type A • L: 821 x W: 240 x H: 258 mm @ Type B
Comply Testing Standard 符合測試標準 Cumplir el estándar de prueba	LED Luminaires: LVD: IEC 60598-1; IEC 60598-2-1; IEC62471; IEC 62031; IEC62471 LED Driver: IEC/EN 61347-1; IEC/EN 61347-2-13; IEC/EN 62384; IEC/EN 61000-3-2; IEC/EN 61000-3-3; IEC/EN61574; EN 55015 ; IEC /EN 62384
Certification-認證-Certificación	          

Project	Fixture#	Date
		Firm



Ordering Information

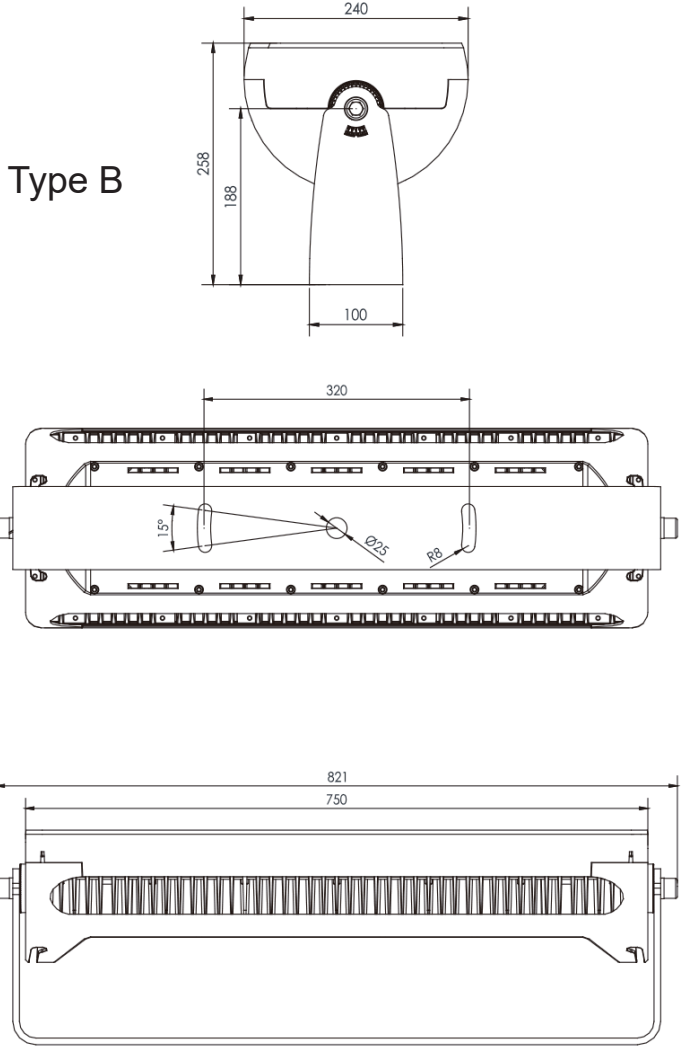
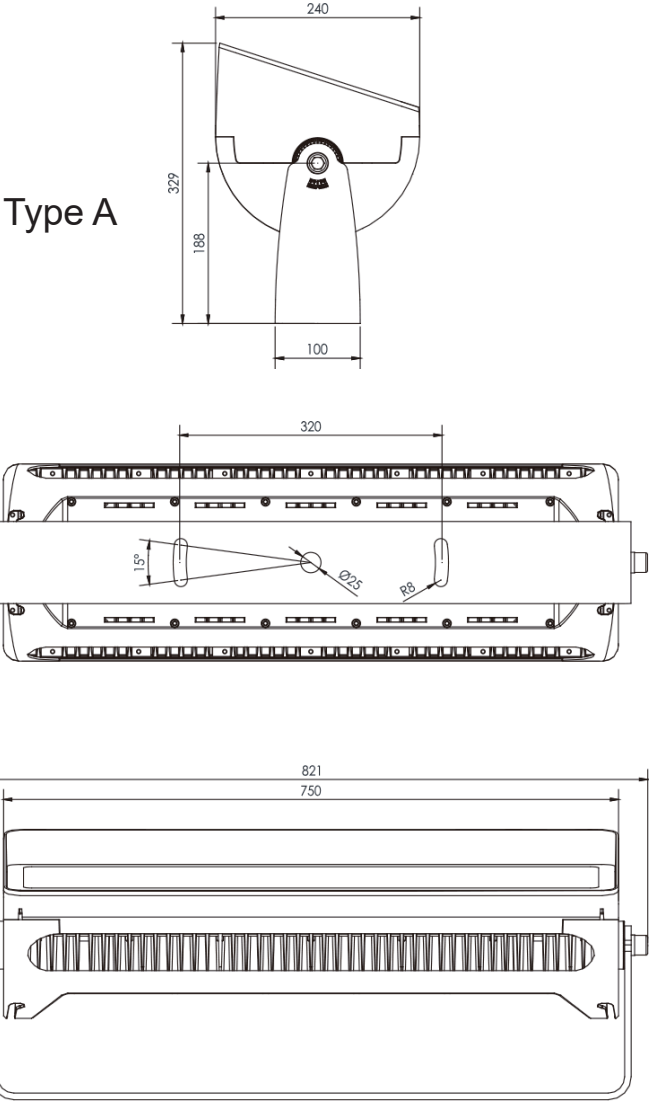
Choose the option that suits your need and write its corresponding code on the appropriate line to form the product code.

Example product code: [FLARRY-270W](#)

FLARRY - - _____
Power Consumption

Power Consumption	
Code	Description
210W	210W @ RGBW 90pcs LEDs(24R 24G 24B 18W)
270W	270W @ RGBW(4 in 1) 40pcs LEDs
300W	300W @ Mono @ 90pcs LEDs
360W	360W @ RGBW(4 in 1) 40pcs LEDs

Technical Drawing



Unit: mm