

FLAYE-SPOT

100W-240W IP66



- LED Flood Light IP66.
- Die-casting aluminium body, super white tempered glass. Special shape design, it has 2 sizes version options.
- Optics with PC lens with high visual comfortable and good anti glare effect, multiple light distribution options.
- High quality LED chips, with ON-OFF/DALI/ DMX/RGBW programmed options.
- The luminaire have multiple brackets to option, it can suit different application.
- Surface anti-ultraviolet pure polyester powder painting, Corrosion resistance can more than 1000 hours.
- No photo- biological risk, in accordance with EN 62471:2008.
- All external screws are made of 304 stainless steel.
- salt spray test IEC-60068-2-11 (ASTM B117) 1000hours

Technical Data

Luminaire Type-安裝方式-Tipo de luminaria

Surface Mounted and Adjustable Type +/- 90° 明裝可調+/- 90° 安裝腳
Tipo montado en superficie y ajustable

Power Consumption with LED Driver LED燈具包括LED驅動電源功率 Consumo de energía con controlador de LED	Dia 265mm : 120W Dia 370mm : 200W	Dia 300mm : 150W Dia:420mm : 240W
Input Voltage / 輸入電壓/Voltaje de entrada	220-240 VAC 50/60HZ	
LED驅動款式 Tipo de controlador LED	Integrated-type LED Driver--Refer to LED driver specification 請參閱LED驅動器規格 Consulte la especificación de controlador de LED 1. ON/OFF Switch 220-240 VAC 50/60HZ LED Driver SOSEN-SS-150GA Efficiency up to 91% 2. 0-10V Dimming Driver Isolated dimming:0-10V,PWM,Resistor 220-240 VAC 50/60HZ LED Driver SOSEN-SS-150GA 3. Dali Dimming Driver 220-240 VAC 50/60HZ LED Driver MEANWELL 4. DMX Driver 220-240 VAC 50/60HZ	
Power Factor / 功率因數/Factor de potencia	PF>0.95 LED Driver SOSEN-SS-150GA	
Total Harmonic Distortion/總諧波失/Distorsión armónica total	THD<10%	
Protection Against Surgers/防護措施/PROTECCIÓN CONTRA LAS PROMOCIONES:	Surge protection: CM: 10kV, DM: 6kV	
Light Source Brand & Sereis -光源品牌-Fuente de luz de marca LED Qty LED 數量	• LUMISEE High Power Ceramic 3535 SMD 卢米斯 High Power Ceramic 3535 SMD • 60pcs LED 3535 SMD	
"Lumen Maintenance LM-80 Reported by TM-21"	L70(10k) > 60,000 hours	
LED Life-LED壽命-La vida del LED	>100,000 hours	
Color Temperature色溫 Temperatura y color	2700K	3000K 4000K 5000K 6500K RGBW
Color Rendering Index-顯色指數 Índice de reproducción cromática	>80	
MacAdam Ellipses Binning 麥克亞當橢圓分級 Mac Adam binning elipse	Standard Deviation Colour Matching < 3 SDCM 標準偏差配色 < 3 SDCM Coincidencia de color estándar Desviación < 3 SDCM	
Beam Angle光束角ángulo de haz	4°	8° 10° 20° 30° 45° 50° 60° 90° 120°
Luminaire Efficacy燈具效率La eficacia de la luminaria	90 Lm/w(2700K &3000K)	95 Lm/w(4000K) 100 Lm/w(5000K&6500K) 60 Lm/wRGBW
LED Source Luminous EfficacyLED光源光效 75% Fuente luminosa LED Eficacia	120 Lm/w(2700K &3000K)	130 Lm/w(4000K) 135 Lm/w(5000K&6500K) 100 Lm/wRGBW
Housing materials外殼材料Materiales de la carcasa	Die-cast aluminium and Tempered glass 壓鑄鋁和鋼化玻璃 Die fundición de aluminio y vidrio templado	
Housing Color外殼顏色 color de la carcasa	Polyester powders Coating--Sand Black RAL9005 Sand Dark Grey RAL7043 Sand Dark White RAL9003 聚酯粉末塗料——沙黑 RAL9005沙深灰 RAL7043沙深白 RAL9003	
Ingress Protection-防護等級 Protección de ingreso	IP66	
Operating Temperature Range / 工作溫度範圍 Rango de temperatura de funcion amiento	-30 °C / +50 °C	
Dimension尺寸Dimensión	Dia 265mmx H: 365mm	Dia 300mmx H: 396mm Dia 370mmx H: 446mm Dia 420mm x H: 499mm
Net Weight淨重Peso Neto	8kg @ Dia 265mmx H: 365mm	9kg @Dia 300mmx H: 396mm 10kg @Dia 370mmx H: 446mm 11kg @Dia 420mm x H: 499mm
Certificate Standard Complied 符合安規標準 estándar certificado de cumplimiento	LED Luminaries: IEC / EN 60598-1;IEC/EN 60598-2-5; IEC TR62778 IEC62471 (RG1); IEC 62031; EN62493 RoHS LED Driver: IEC/EN 61347-1; IEC/EN 61347-2-13; IEC/EN 62384; IEC/EN 61000-3-2; IEC/EN 61000-3-3;IEC/EN61574;EN 55015	

Certification-認證-Certificación



Project	Fixture#	Date
		Firm

Ordering Information

Choose the option that suits your need and write its corresponding code on the appropriate line to form the product code.

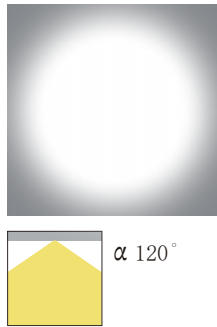
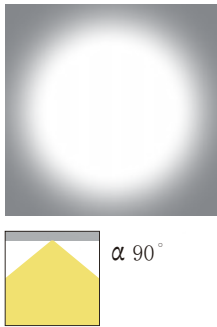
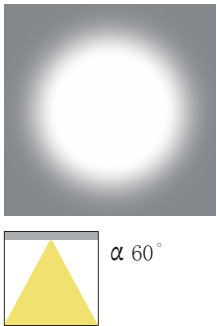
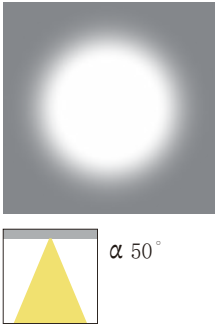
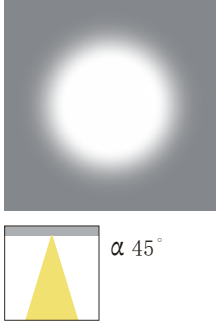
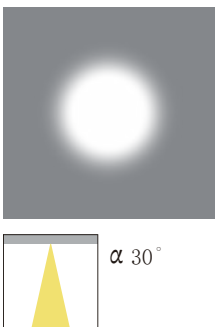
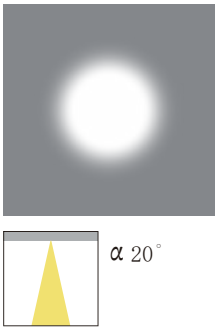
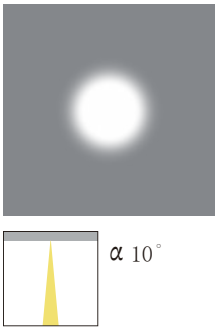
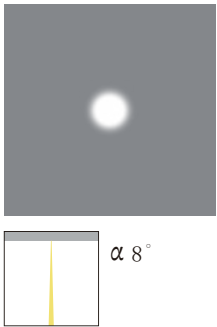
Example product code:

FLAYE - _____
POWER CONSUMPTION

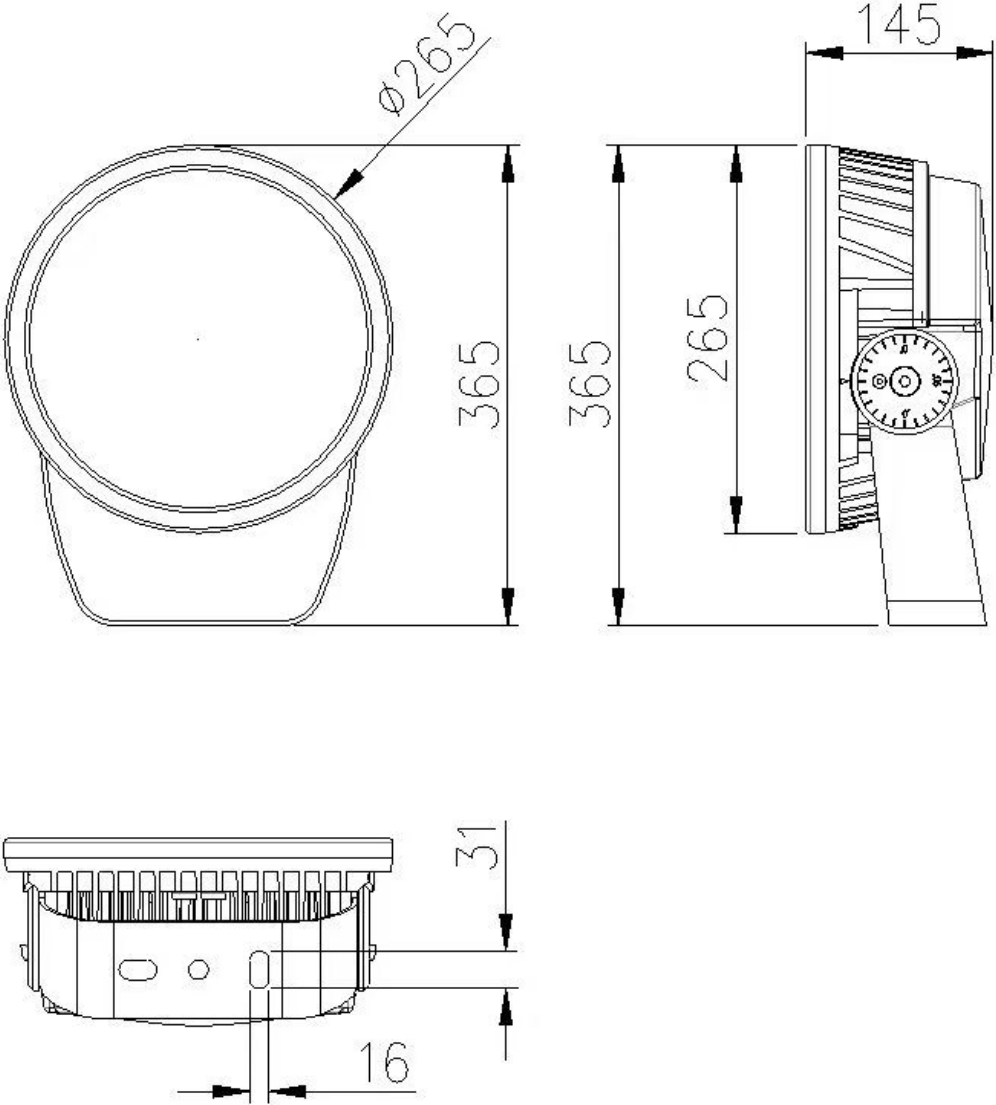
POWER CONSUMPTION	
Code	Description
120W	120W@Dia 265mm
150W	150W@Dia 300mm
200W	200W@Dia 370mm
240W	240W@Dia 420mm



BEAM ANGLE

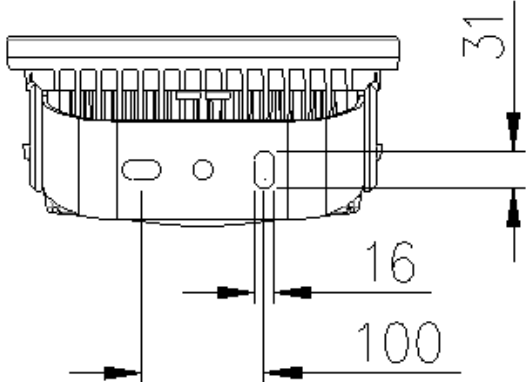
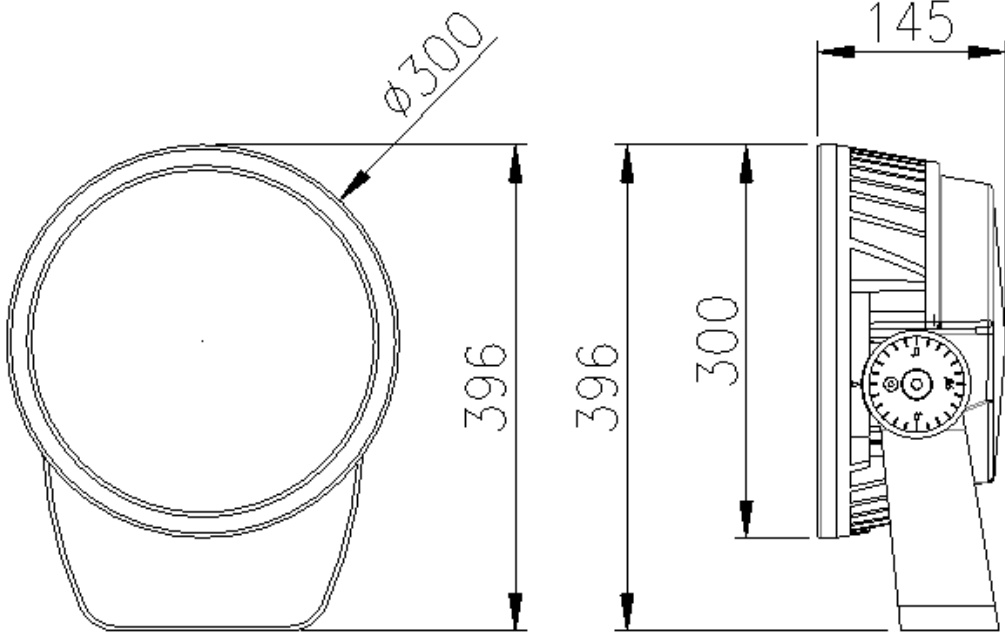


Technical Drawing



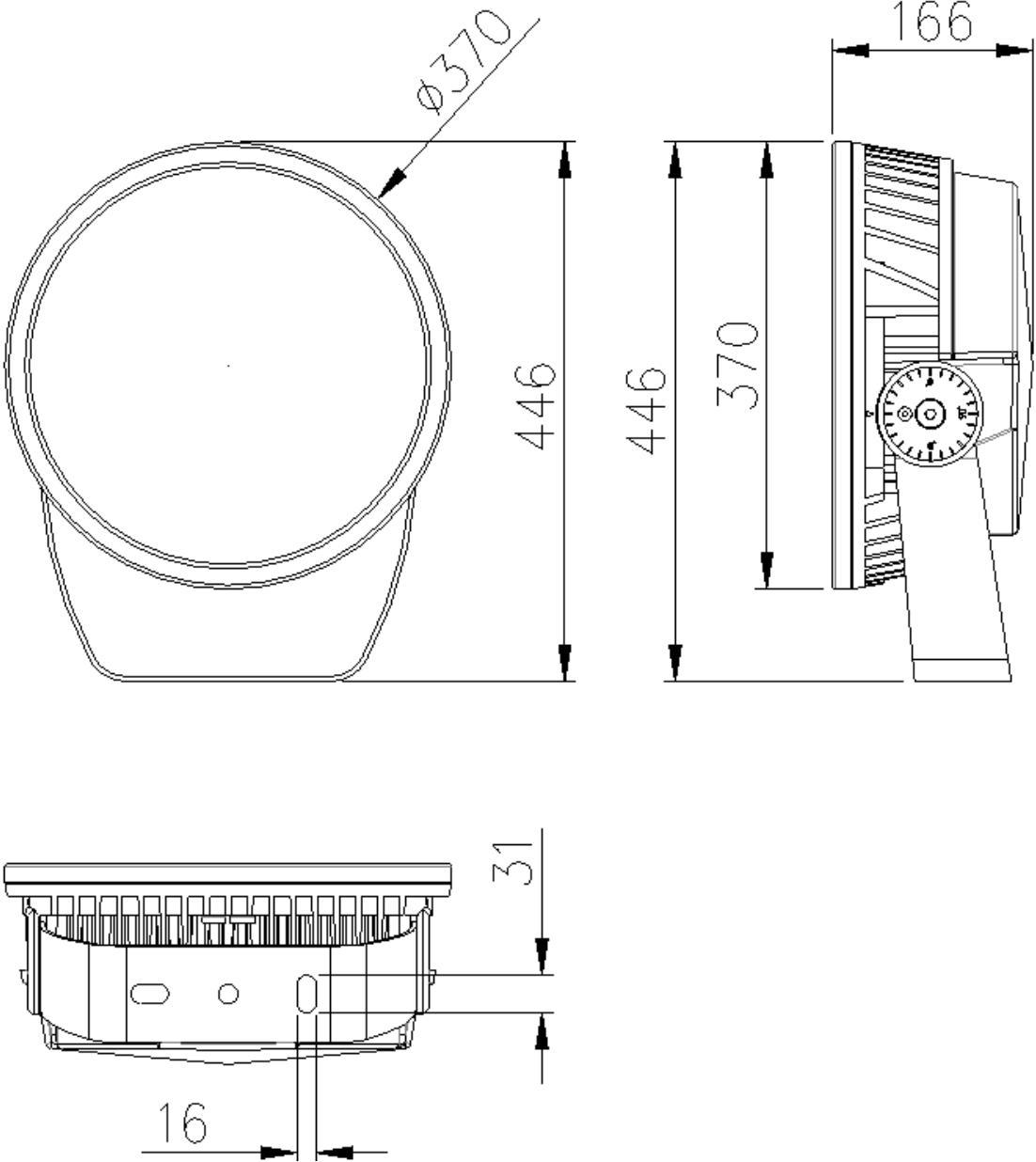
Unit:mm

Technical Drawing



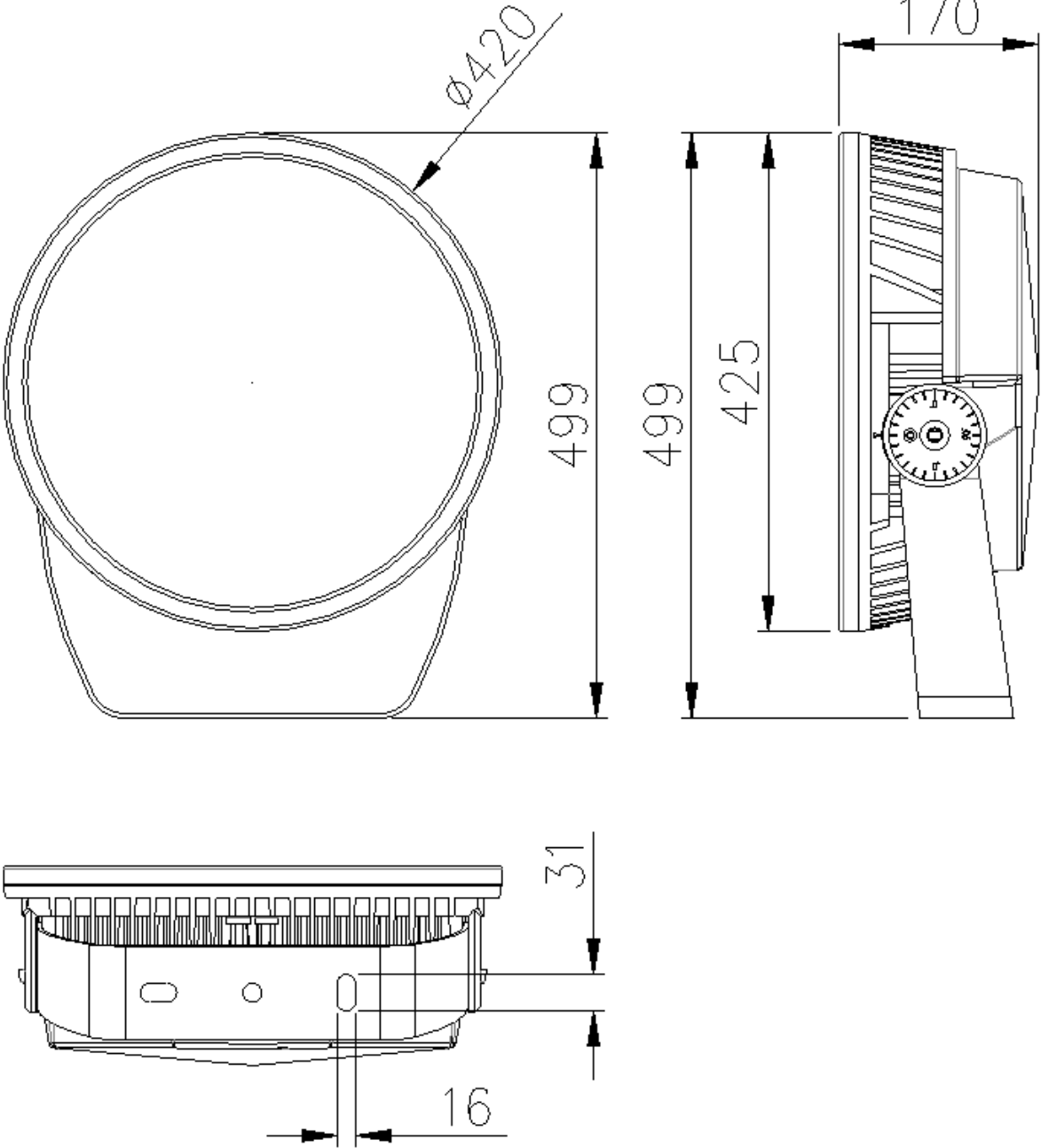
Unit:mm

Technical Drawing



Unit:mm

Technical Drawing



Unit:mm