

GALORE

20W-100W IP66



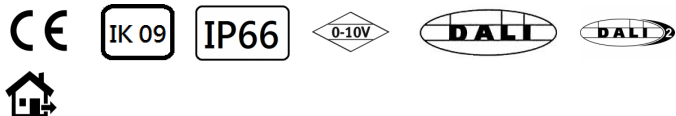
The aesthetics of the city is inseparable from lighting, Lotus satisfied the trend of urban differentiation with smooth curvature, which effectively prevents the accumulation of dust and leaves, not only creates a neat atmosphere, but also provides excellent heat dissipation. In general, the traditional industrial lighting design is not obvious enough, in contrast, the design of lotus is inspired by the Pine Greeting Guests, and through continuous optimization, the overall display is more modern.

- Professional optic provide an excellent effect, managing glare while providing high Levels of visibility.
- IK09, IP66 Rated
- Area, site and pedestrian scale applications

Technical Data

Luminaire Type- 安裝方式 Tipo de luminaria	Pole top $\phi 60$ or $\phi 76$ mm Mounted 杆安裝 $\phi 60$ 或 $\phi 76$ mm Poste superior $\phi 60$ $\phi 76$ mm
Power Consumption with LED Driver LED燈具包括LED驅動電源功率 Consumo de energía con controlador de LED	20W 40W 60W 80W 100W
Input Voltage / 輸入電壓 Voltaje de entrada	220 ~ 240VAC (50~60Hz)
Control Protocol/控制協議 Protocolo de Control	Integrated-type LED Driver--Refer to LED driver specification 請參閱LED驅動器規格 Consulte la especificación de controlador de LED 1. ON/OFF Switch AC100-240V 50/60HZ 2. 1-10V Dimming Driver AC100-240V 50/60HZ 3. Dali Dimming Driver AC100-240V 50/60HZ
LED Driver Features驅動特性 Funciones del controlador de LED	POWER FACTOR : PF>0.90 or PF:>0.95 @ Full Load TOTAL HARMONIC DISTORTION: THD< 20% Life:>50000 hours . Refer to LED Driver data sheet
Protection Against Surgers/防護措施/PROTECCIÓN CONTRA LAS PROMOCIONES:	Line-Earth:10KV Line-Line:6KV
Light Source Brand-光源品牌-Fuente de luz de marca	CREE
"Lumen Maintenance LM-80 Reported by TM-21"	L70 > 45,000 Hours
LED Life-LED壽命-La vida del LED	Ambient temperature $t_a = 25^\circ\text{C}$ > 500,000 h: L 70 B 50 Ambient temperature $t_a = 55^\circ\text{C}$ > 90,000 h: L 70 B 50
Color Temperature 色溫 Temperatura y color	3000K 4000K 5000K
Color Rendering Index-顯色指數 Índice de reproducción cromática	• >70 • >80
MacAdam Ellipses Binning 麥克亞當橢圓分級 Mac Adam binning elipse	Standard Deviation Colour Matching < 3 SDCM標準偏差配色< 3 SDCM Coincidencia de color estándar Desviación < 3 SDCM
Beam Angle光束角ángulo de haz	Symmetrical Angle : SYM01 SYM 02 Asymmetrical Angle : ASY01 ASY02 ASY03
Luminaire Efficacy燈具效率 La eficacia de la luminaria	110 Lm/w(3000K) @CRI >70 ; 120 Lm/w(4000K) @CRI >70 130 Lm/w(5000K) @CRI >70 100 Lm/w(3000K) @CRI >80 ; 110 Lm/w(4000K) @CRI >80 120 Lm/w(5000K) @CRI >80
LED Source Luminous Efficacy LED光源光效 Fuente luminosa LED Eficacia	143 Lm/w(3000K) @CRI >70 ; 163 Lm/w(4000K) @CRI >70 ; 171 Lm/w(5000K) @CRI >70 ; 134 Lm/w(3000K) @CRI >80 ; 143 Lm/w(4000K) @CRI >80 ; 153 Lm/w(5000K) @CRI >80
Housing materials 外殼材料 Materiales de la carcasa	Die-cast aluminium alloy and 5mm thickness tempered glass 壓鑄鋁和5mm厚鋼化玻璃 Aluminio fundido a presión y Vidrio templado
Housing Color 外殼顏色 color de la carcasa	Anti-corrosion Polyester powders Coating--Graphite RAL 7024 Matte White RAL 9003 Grey RAL9006 防腐聚酯粉末塗料——石墨 RAL 7024 啞光白 RAL 9003 銀灰RAL9006 Revestimiento de polvos de poliéster anticorrosión: grafito RAL 7024 Blanco mate RAL 9003 Gris RAL9006
Ingress Protection-防護等級 Protección de ingreso	IP66
Mech impact protection機械衝擊保護 Protección contra impactos mecánicos	IK09
Operating Temperature Range / 工作溫度範圍 Rango de temperatura de funcion amiento	-30 $^\circ\text{C}$ / +50 $^\circ\text{C}$
Operating Humidity -工作濕度 Humedad de funcionamiento	0~90%, non-condensing-不結霜 sin condensación
Dimension 尺寸 Dimensión	490x440x600 mm
Net Weight /Gross Weight 淨重/毛重 Peso Neto / Peso bruto	10.0kg & 13.8kg
Certificate Standard Complied 符合安規標準 estándar certificado de cumplimiento	LED Luminaries: IEC/EN 60598-1 ; IEC/EN 60598-2-3; IEC TR 62778; IEC 62031 LED Driver: IEC 61347-1; IEC 61347-2-13; EN 55015; IEC 61000-3-2; IEC 61000-3-3; IEC 61547;EN 62384

Certification-認證-Certificación



Project	Fixture#	Date
		Firm

Ordering Information

Choose the option that suits your need and write its corresponding code on the appropriate line to form the product code.

Example product code:

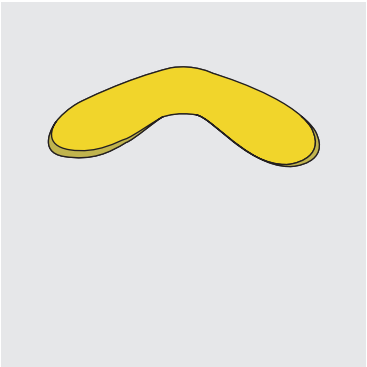
GALORE - _____
POWER CONSUMPTION

POWER CONSUMPTION	
Code	Description
20W	20W
40W	40W
60W	60W
80W	80W
100W	100W

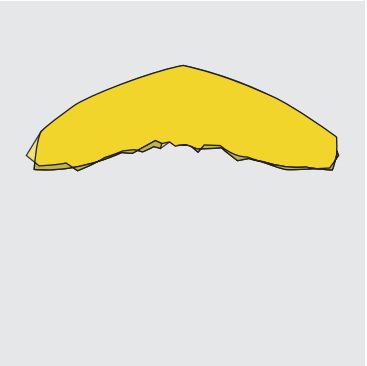


BEAM ANGLE

Symmetrical Angle :

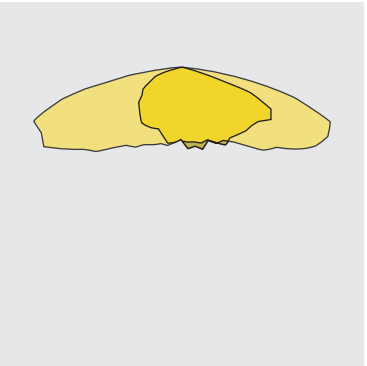


Sym 01

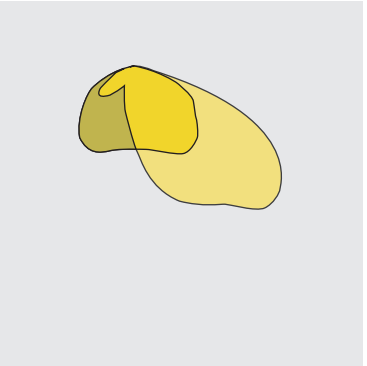


Sym 02

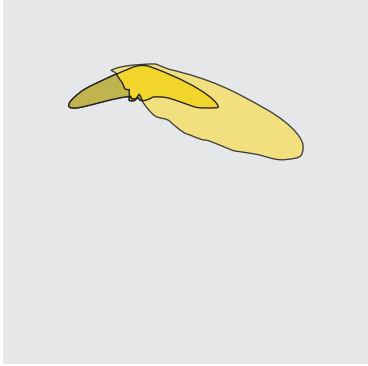
Asymmetrical Angle :



Asy 01

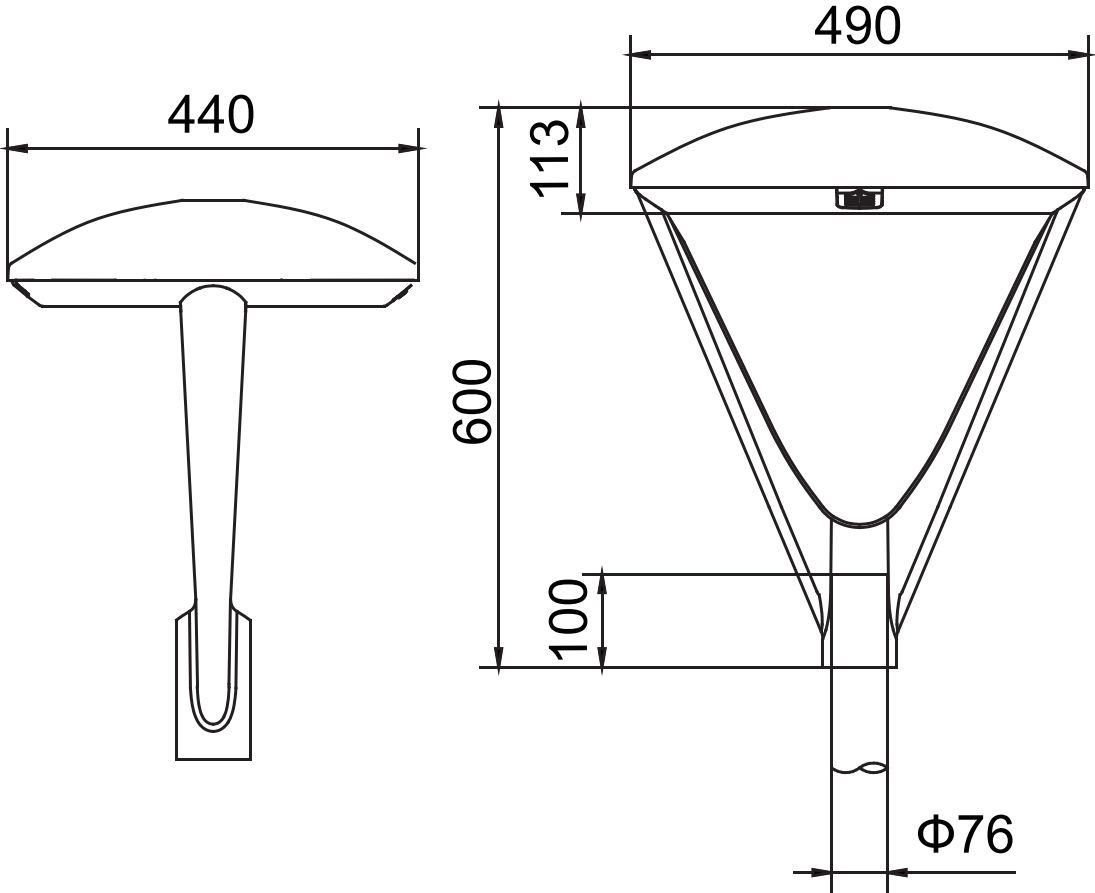


Asy 02

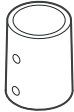


Asy 03

Technical Drawing

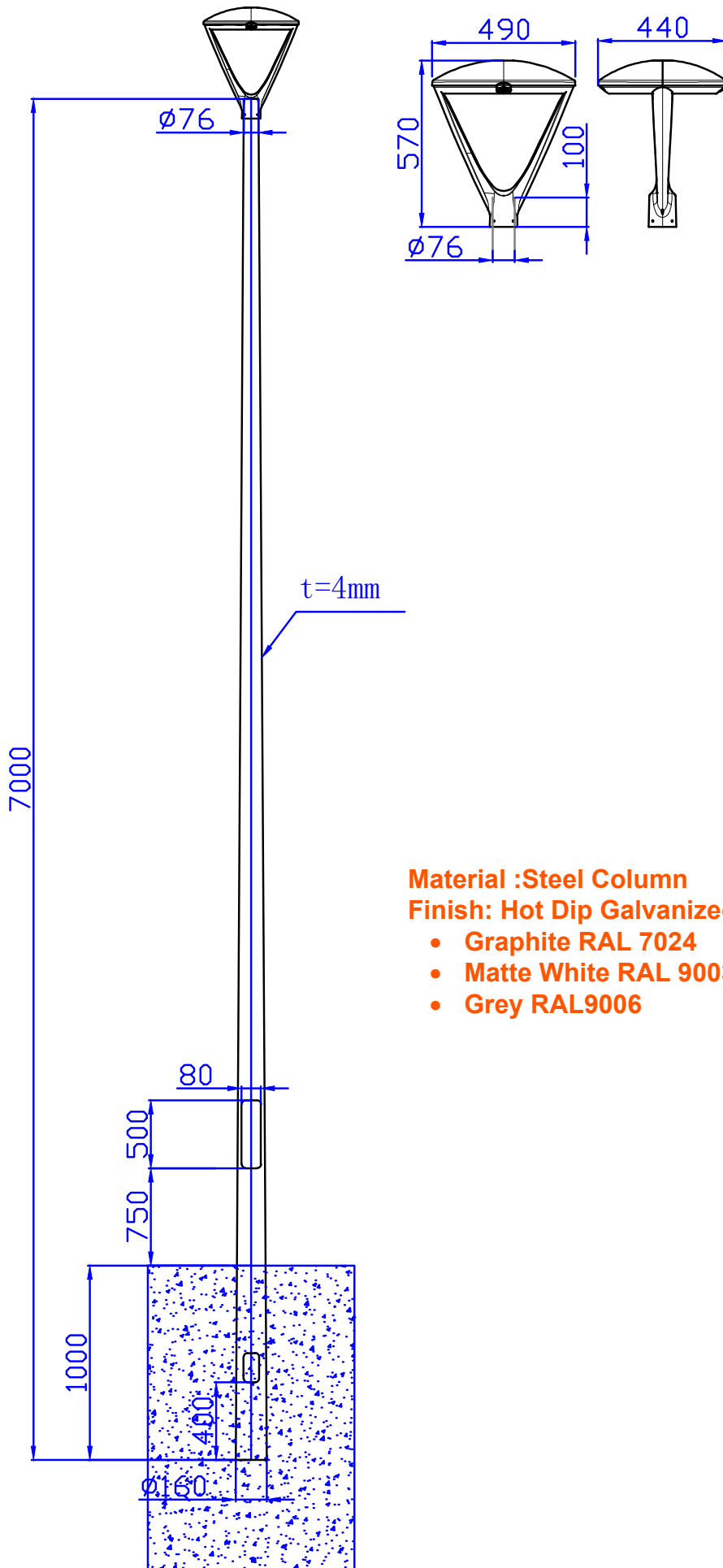


Accessories - Adapter
Spigot size 76 to 60 mm



Unit: mm

TX- Column-Rooting Type



General Notes



I

- Material :Steel Column**
Finish: Hot Dip Galvanized and Power Coating
- Graphite RAL 7024
 - Matte White RAL 9003
 - Grey RAL9006

DIMON
TECHNOLOGY

Title
7m Pole

Drawn

Date
9.Mar.2022

Scale
DO NOT SCALE

Job No.
220309

Dwg No.
HYP20220309-1

Revision
V 1.0