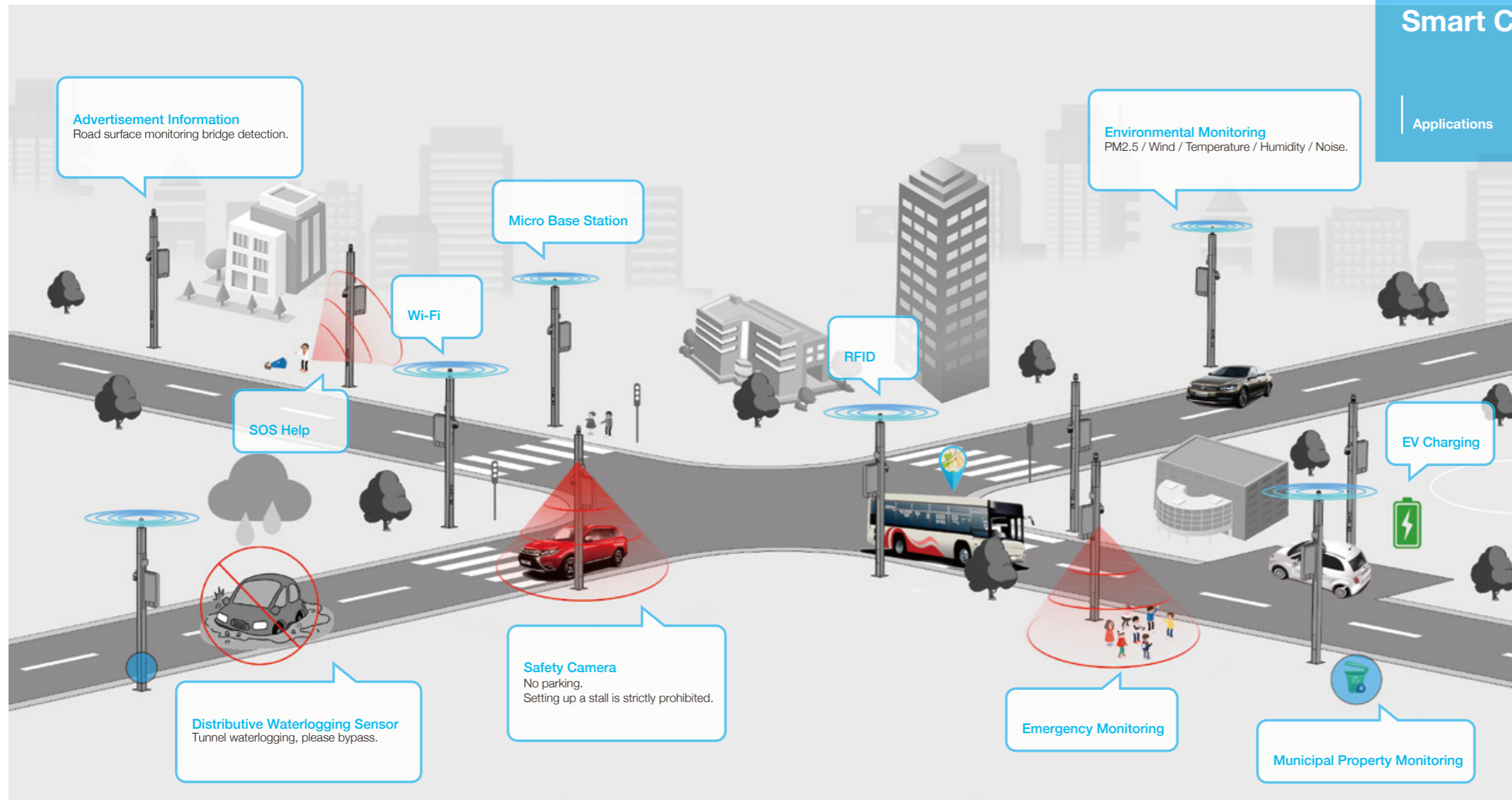


Smart Lighting Application



Smart City
Applications

GALORE & GODARD SMART POLE



Smart City

With the wide application of new generation information technologies such as Internet of things, 5g network and cloud computing, smart city has become possible. Through the data interconnection of smart devices in the city, platform data sharing and data linkage can be achieved, and finally the purpose of smart city can be achieved.

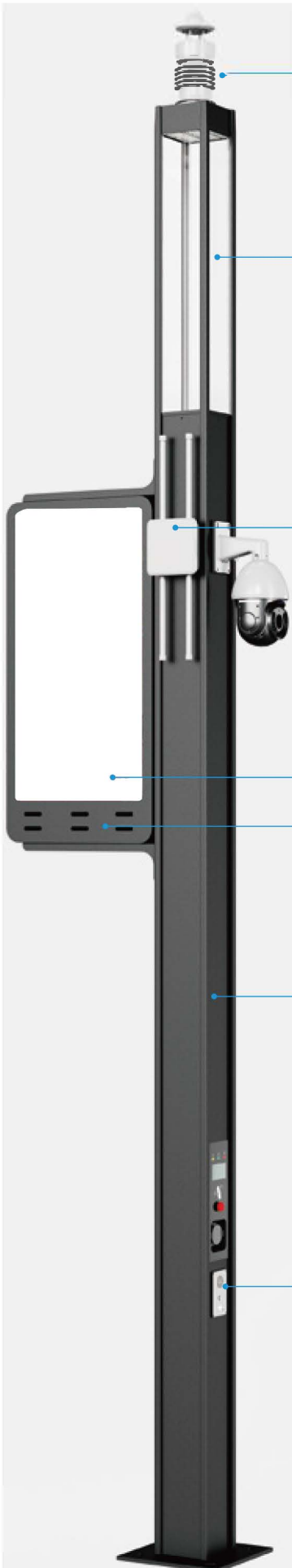
Smart Light Pole

The multifunctional integrated intelligent system is realized through the integrated lamp pole equipped with meteorological sensors, safety cameras, LED advertising display screens, intelligent speakers, charging piles, 5g base stations and other equipment carriers.

Intelligent Lighting

Smart lighting is one part of smart light pole. Through wireless communication technology, it realizes the following functions: Switch control, Real-time monitoring, Fault alarm, Load control.

Smart Lighting Pole-GALORE Series



METEOROLOGICAL SENSOR

Humidity, air pressure, wind speed, wind direction, temperature, DB, PM2.5



INTELLIGENT LED MODULE 60W

Warm or neutral white LEDs
Optional internal lens and external diffuse protector for enhanced visual comfort with Daylight Sensor



WIRELESS INTERNET

Providing 4G / 5G capacity and coverage Wireless fibre communication network for smart city applications



SAFETY CAMERA

Professional camera networks
Integrated 360-degree video CCTV solution



ADVERTISEMENT INFORMATION

Multimedia LED information release system, advertising information, traffic condition release



LOUDSPEAKER

Professional sound system for public service announcements, warnings and music



INTELLIGENT CONTROLLER

2.4 GHz signal



SOS

One-touch system to contact operators and/or to trigger panic response scenarios



EV CHARGING

Professional charging station
Safety locking during charging

GALORE

SMART POLE



CB



ZigBee®



- Smart Devices:
METEOROLOGICAL SENSOR, WIRELESS INTERNET, CCTV, S
PEAKER, INTELLIGENT CONTROLLER, SOSband EV CHARGING.
- Die-casting aluminium top cover, extruded aluminium column
pole, with anti-UV PC transparent diffuser.
- Asymmetric and Symmetric optical light distribution
- Integrated LED dimming driver : 0-10V/DALI/ Zigbee
- Surge protection up to 20KV.
- Surface anti-ultraviolet pure polyester and corrosion resistance
powder painting



Technical Data

Selectable Smart Devices Accessories

可選智能設備配件

Accesorios de dispositivos inteligentes seleccionables

- Meteorological Sensor :Humidity, air pressure, wind speed, wind direction, temperature, DB, PM2.5
- Daylight sensor
- Wireless 2.4G/5G communication network for smart city applications
- CCTV
- SPEAKER
- Multimedia LED Display
- Intelligent Controller / Processor-2.4 GHz signal like : Rola wireless / Zigbee wireless and so on
- SOS
- EV Professional charging station

Power Consumption with LED Driver LED燈具包括LED驅動電源功率 Consumo de energía con controlador de LED	30W 40W 50W 60W				
Input Voltage / 輸入電壓 Voltaje de entrada	220 ~ 240VAC (50~60HZ)				
Control Protocol/控制協議 Protocolo de Control	SW: ON/OFF Switch Driver DA: Dali Dimming Driver MS: Motion Sensor	AN: 1-10V Dimming Driver ZI: ZIGBEE Wireless Control DS: Daylight Sensor			
Power Factor / 功率因數/Factor de potencia	PF>0.95				
Total Harmonic Distortion/總諧波失/Distorsión armónica total	THD<15%				
Protection Against Surges/防護措施/PROTECCIÓN CONTRA LAS PROMOCIONES:	Up to 20KV.				
Light Source Brand-光源品牌-Fuente de luz de marca	CREE				
"Lumen Maintenance LM-80 Reported by TM-21"	L70 > 45,000 Hours				
LED Life-LED壽命-La vida del LED	>50,000 hours				
Color Temperature 色溫 Temperatura y color	2700K / 3000K / 4000K / 5000K / 6500K				
Color Rendering Index-顯色指數 Índice de reproducción cromática	>80				
MacAdam Ellipses Binning 麥克亞當橢圓分級 Mac Adam binning elipse	Standard Deviation Colour Matching 3 SCDM標準偏差配色 3 SCDM Coincidencia de color estándar Desviación				
Beam Angle光束角ángulo de haz	Symmetric TM1	Asymmetric TM3			
Luminaire Efficacy燈具效率 La eficacia de la luminaria	100m/w(2700K)	100m/w(3000K)	120m/w(4000K)	130m/w(5000K)	130m/w(6500K)
LED Source Luminous Efficacy LED光源光效 Fuente luminosa LED Eficacia	130m/w(2700K)	130m/w(3000K)	150m/w(4000K)	160m/w(5000K)	160m/w(6500K)
Housing materials 外殼材料 Materiales de la carcasa	Die-cast aluminum top cover, aluminum extruded column and transparent PMMA diffuser 壓鑄鋁頂蓋, 鋁擠壓柱和抗紫外線透明PMMA擴散器 Cubierta superior de aluminio fundido a presión, columna de aluminio extruido y difusor de PMMA transparente anti UV				
Housing Color 外殼顏色 color de la carcasa	White RAL 9003 / Black RAL 9005 / Gray RAL9006 / Dark Grey RAL 9023 RAL 9003 / 黑 RAL 9005 / 灰色 RAL9006 / 深灰 RAL 9023 arena RAL 9003 / Negro RAL 9005 / Gris RAL9006 / Gris oscuro RAL 9023				
Ingress Protection-防護等級 Protección de ingreso	IP66				
Mech impact protection機械衝擊保護 Protección contra impactos mecánicos	IK08				
Operating Temperature Range / 工作溫度範圍 Rango de temperatura de funcionamiento	-30 °C / +50 °C				
Operating Humidity -工作濕度 Humedad de funcionamiento	0~90%, non-condensing-不結霜 sin condensación				
Dimension 尺寸 Dimensión	Standard LED Area Light : H: 4000mm / H: 5000mm Smart LED Area Light : H: 5000mm / H: 6000mm				
Certificate Standard Complied 符合安規標準 estándar certificado de cumplimiento	LED Luminaries: IEC/EN 60598-1 ; IEC/EN 60598-2-3; IEC TR 62778; IEC 62031 LED Driver: IEC 61347-1; IEC 61347-2-13; EN 55015; IEC 61000-3-2; IEC 61000-3-3; IEC 61547; EN 62384				
Certification 認證-Certificación	        				

Project	Fixture#	Date
		Firm

Ordering Information

Choose the option that suits your need and write its corresponding code on the appropriate line to form the product code.

Example product code: [GALORE-60W](#)

GALORE

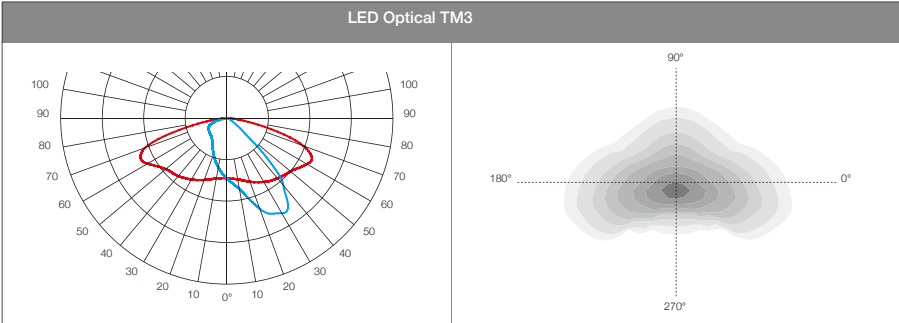
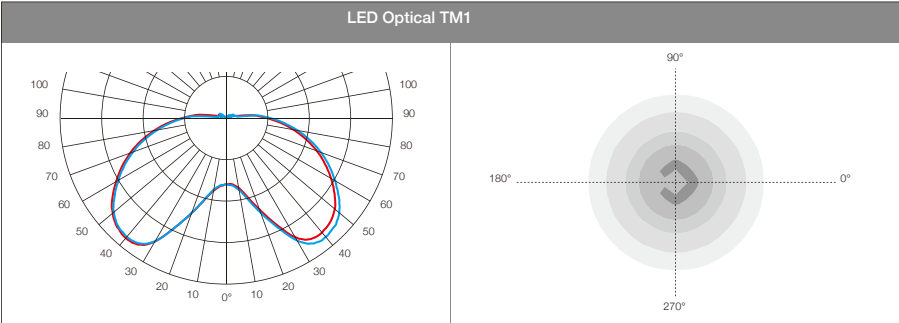
-

POWER
CONSUMPTION

POWER CONSUMPTION	
Code	Description
30W	30W
40W	40W
50W	50W
60W	60W



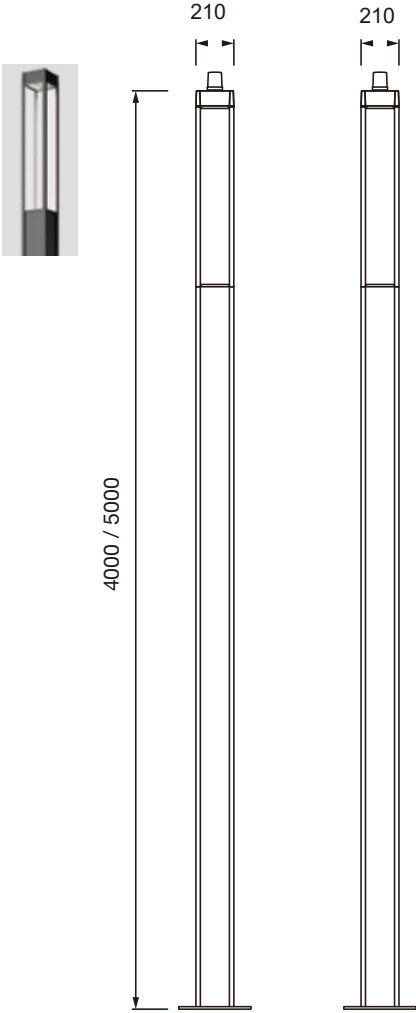
BEAM ANGLE



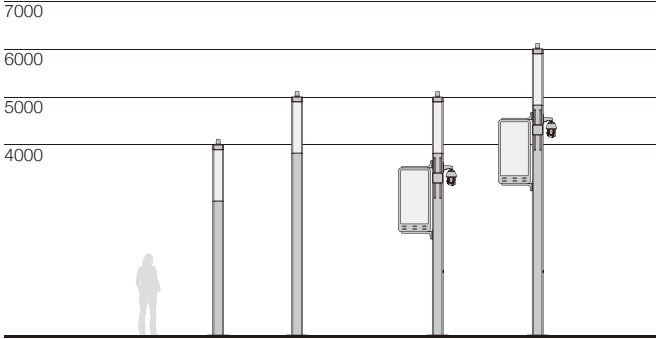
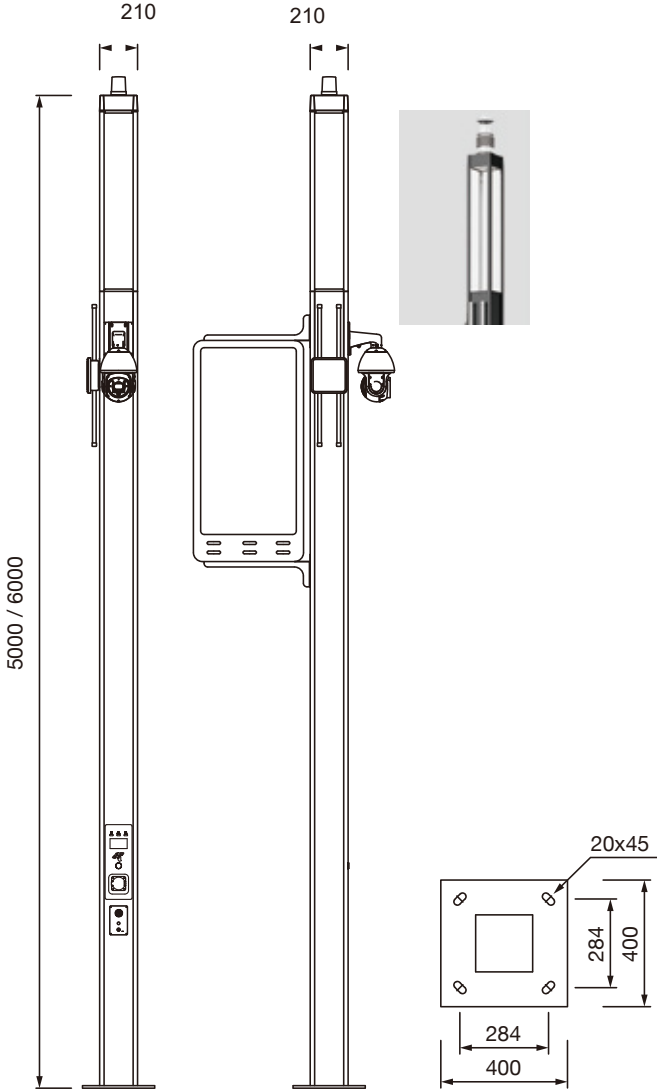
DIMON

Technical Drawing

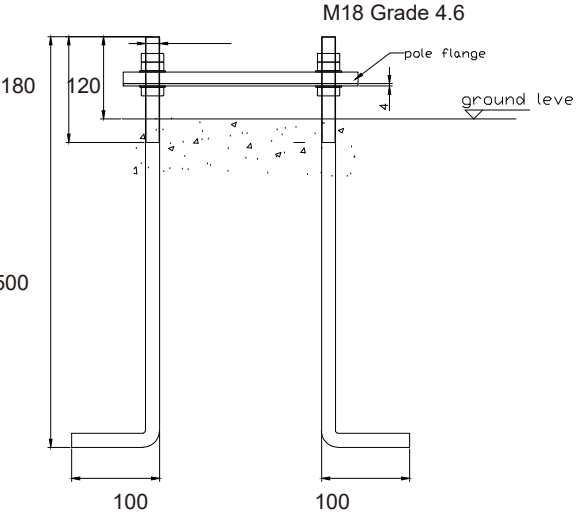
Standard LED Area Light



Smart Pole



Anchor Bolt: GALORE-ABM18



Unit: mm