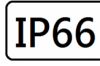


GILEAD

30W-80W



ZigBee®

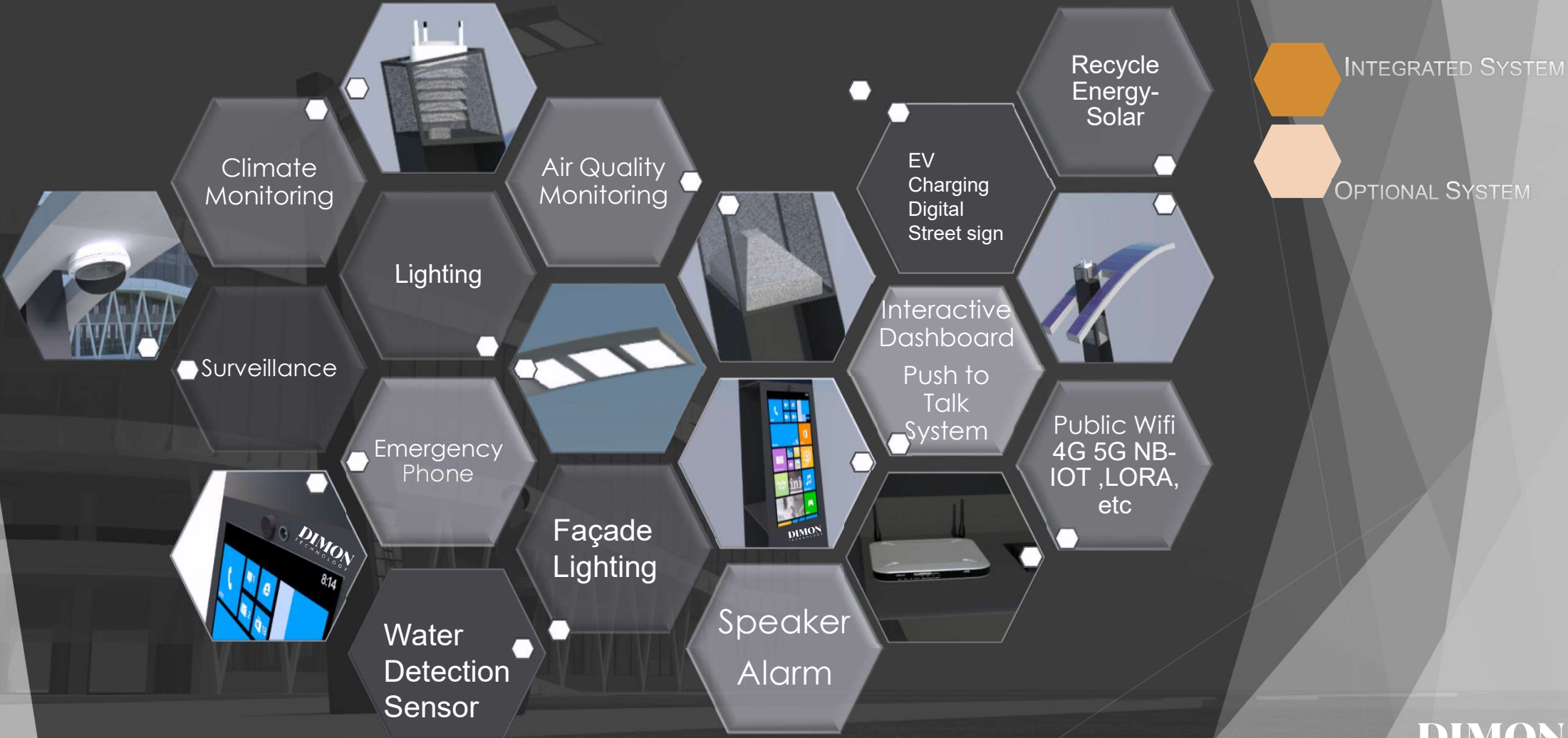


- Die-casting aluminium body, super white tempered glass, white PC plastic reflector.
- Optical with PC lenses with high visual comfort and uniform lighting distribution, multiple optical distribution options.
- Integrated LED Driver with 0-10V/DALI/programmable options, and with surge protection up to 20KV.
- Surface anti-ultraviolet pure polyester powder painting for Corrosion resistance
- **Smart Pole control system with NEMA system** 4G control, NEMA photocell and NEMA Dimming Control Custom-Made Pole to integrated CCTV ,WIFI, EV CHARGING, Climatic, and Etc b



Smart Pole Integration

EXPANDABLE INTEGRATED DESIGN



DIMON
TECHNOLOGY

• Copy Right by DIMON Technology limited

Technical Data

Luminaire Type-安裝方式 Tipo de luminaria

- TYPE T: Dia 60mm Pole Mounted: 3-10m適合直徑60mm燈杆安裝頂部安裝: 3-10m Dia 60mm montado en poste: 3-10m
- TYPE L: Dia 60mm Pole Mounted: 3-10m適合直徑60mm燈杆安裝頂部安裝: 3-10m Dia 60mm montado en poste: 3-10m
- TYPE P: Dia 28mm Pole Mounted: 3-10m適合直徑28mm燈杆安裝頂部安裝: 3-10m Dia 28mm montado en poste: 3-10m
- TYPE S: Dia 60mm Pole Mounted: 3-10m適合直徑60mm燈杆安裝頂部安裝: 3-10m Dia 60mm montado en poste: 3-10m

Smart Pole Integration Components

智能燈杆組件

Componentes de integración de postes inteligentes

- Panoramic CCTV- H.265/H.264 Triple-Stream Encoding Max 25fps@4069x1800
- Climate Monitoring : Wind Speed , Wind Direction, Temperature, Humidity , Noise level, Pressure.
- Air Quality Sensor : PM2.5 & PM 10
- Lighting controller : lighting status report : Fail & Power status.
- Public Wifi
- SOS
- EV CHARGING or 13A CHARGING

Power Consumption with LED Driver

LED燈具包括LED驅動電源功率

Consumo de energía con controlador de LED

30W 40W 60W 80W

Input Voltage / 輸入電壓 Voltaje de entrada

100 ~ 240VAC (50~60HZ)

Control Protocol/控制協議

Protocolo de Control

- SW -ON/OFF
- 1-10V / DALI
- 5-Step Time (programmable LED driver dimming rate in 5 time zone)
- NEMA photocell with SW- ON/OFF (Pre Setting Lux level : Light ON: 6 lux ON , Light OFF: 50lux)
- NEMA photocell with 0-10V Dimming for auto adjustment in brightness
- NEMA photocell with Dali Dimming Control for auto adjustment in brightness
- NEMA photocell with 4G network Control for remote managemnet system
- Zigbee Wireless Control

Power Factor / 功率因數/Factor de potencia

PF>0.95

Total Harmonic Distortion/總諧波失/Distorsión armónica total

THD<18%

Protection Against Surgers/防護措施/PROTECCIÓN CONTRA LAS PROMOCIONES:

Up to 20KV

Light Source Brand-光源品牌-Fuente de luz de marca

CREE

"Lumen Maintenance LM-80 Reported by TM-21"

L70 > 55,000 Hours

LED Life-LED壽命-La vida del LED

>60,000 hours

Color Temperature 色溫 Temperatura y color

2700K / 3000K / 4000K/ 5000K/ 6500K

Color Rendering Index-顯色指數 Índice de reproducción cromática

>80

MacAdam Ellipses Binning

麥克亞當橢圓分級

Mac Adam binning ellipse

Standard Deviation Colour Matching 3 SCDM

標準偏差配色 3 SCDM

Coincidencia de color estándar Desviación

Beam Angle光束角ángulo de haz

Asymmetric Optical Type

Luminaire Efficacy燈具效率

La eficacia de la luminaria

110lm/w(2700K) 120m/w(3000K) 130m/w(4000K) 130m/w(5000K) 130m/w(6500K)

LED Source Luminous Efficacy LED光源光效

Fuente luminosa LED Eficacia

140lm/w(2700K) 150m/w(3000K) 160m/w(4000K) 160m/w(5000K) 160m/w(6500K)

Housing materials 外殼材料

Materiales de la carcasa

Die-cast aluminium and Tempered glass 壓鑄鋁和鋼化玻璃

Aluminio fundido a presión y Vidrio templado

Housing Color 外殼顏色 color de la carcasa

Polyester powders Coating (Matte gray RAL 9006/ Matte Black 9005).
聚酯粉末塗料 (啞光灰 RAL 9006/啞光黑 9005)
Revestimiento de polvos de poliéster (Gris mate RAL 9006 / Negro mate 9005).

Ingress Protection-防護等級

Protección de ingreso

IP66

Mech impact protection機械衝擊保護

Protección contra impactos mecánicos

IK08

Operating Temperature Range / 工作溫度範圍

Rango de temperatura de funcionamiento

-30 °C / +50 °C

Operating Humidity -工作濕度

Humedad de funcionamiento

0~90%, non-condensing-不結霜
sin condensación

Installation Height 安裝高度Altura de montaje

3-10 M

Dimension 尺寸 Dimensión

Dia 490 x L: 672 x H: 91 mm

Net Weight /Gross Weight 淨重/毛重

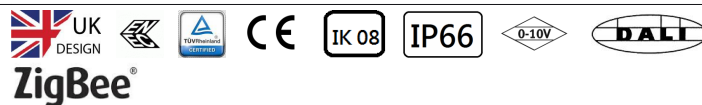
Peso Neto / Peso bruto

• TYPE T: 12.5kg TYPE L: 9.7 kg
• TYPE P: 8.3 kg TYPE S: 9.0 kg

Certificate Standard Complied符合安規標準
estándar certificado de cumplimiento

LED Luminaries: IEC/EN 60598-1 ; IEC/EN 60598-2-3; IEC TR 62778; IEC 62031
LED Driver: IEC 61347-1; IEC 61347-2-13; EN 55015; IEC 61000-3-2; IEC 61000-3-3;
IEC 61547; EN 62384

Certification-認證-Certificación



ZigBee®

Project	Fixture#	Date
		Firm



Ordering Information

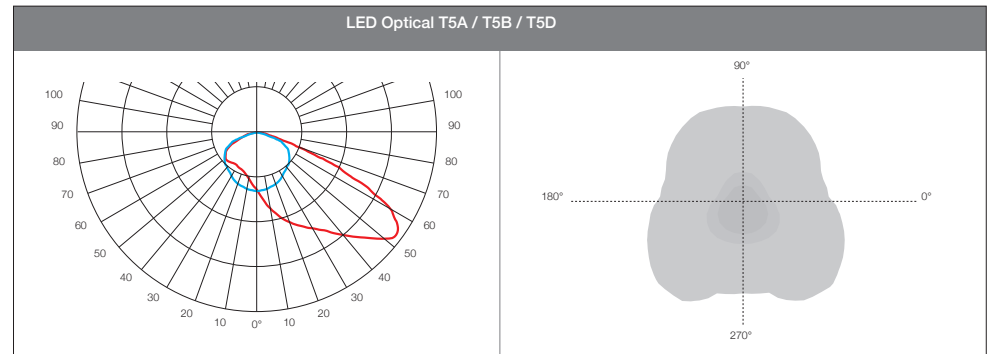
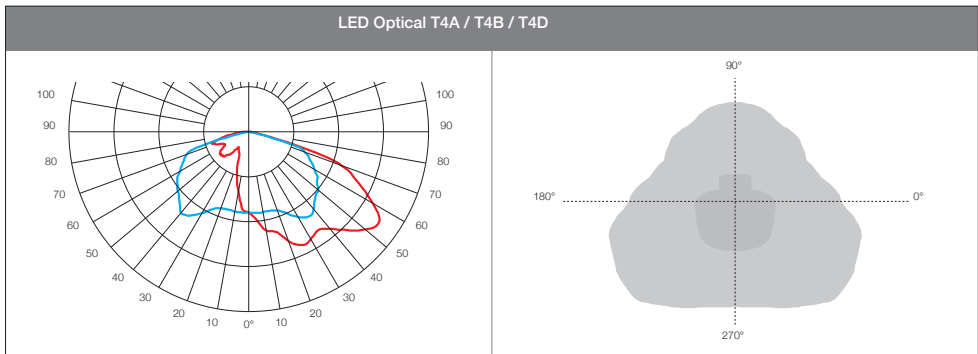
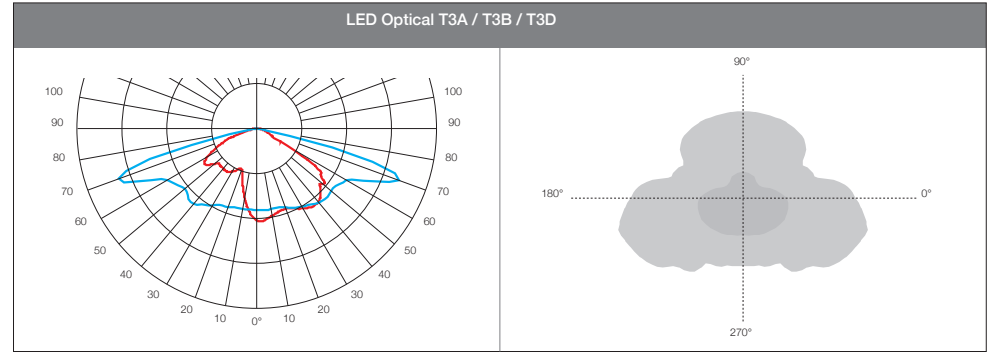
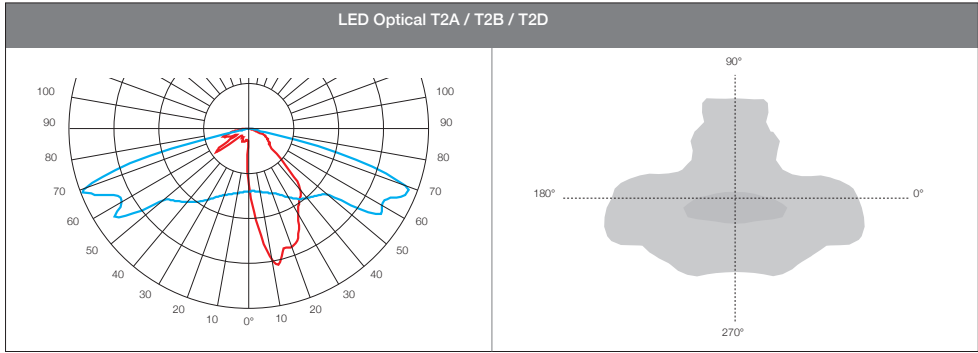
Choose the option that suits your need and write its corresponding code on the appropriate line to form the product code.

Example product code: [GILEAD-80W](#)

GILEAD - - _____
 POWER
 CONSUMPTION

POWER CONSUMPTION	
Code	Description
30W	30W
40W	40W
60W	60W
80W	80W

BEAM ANGLE



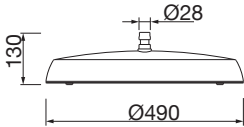
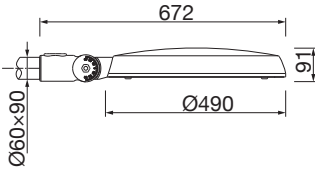
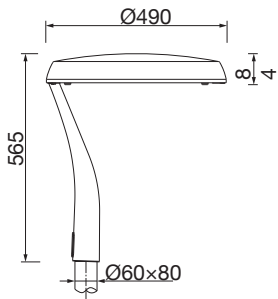
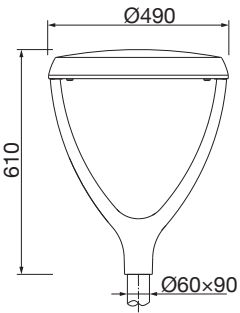
Technical Drawing

TYPE T

TYPE L

TYPE S

TYPE P

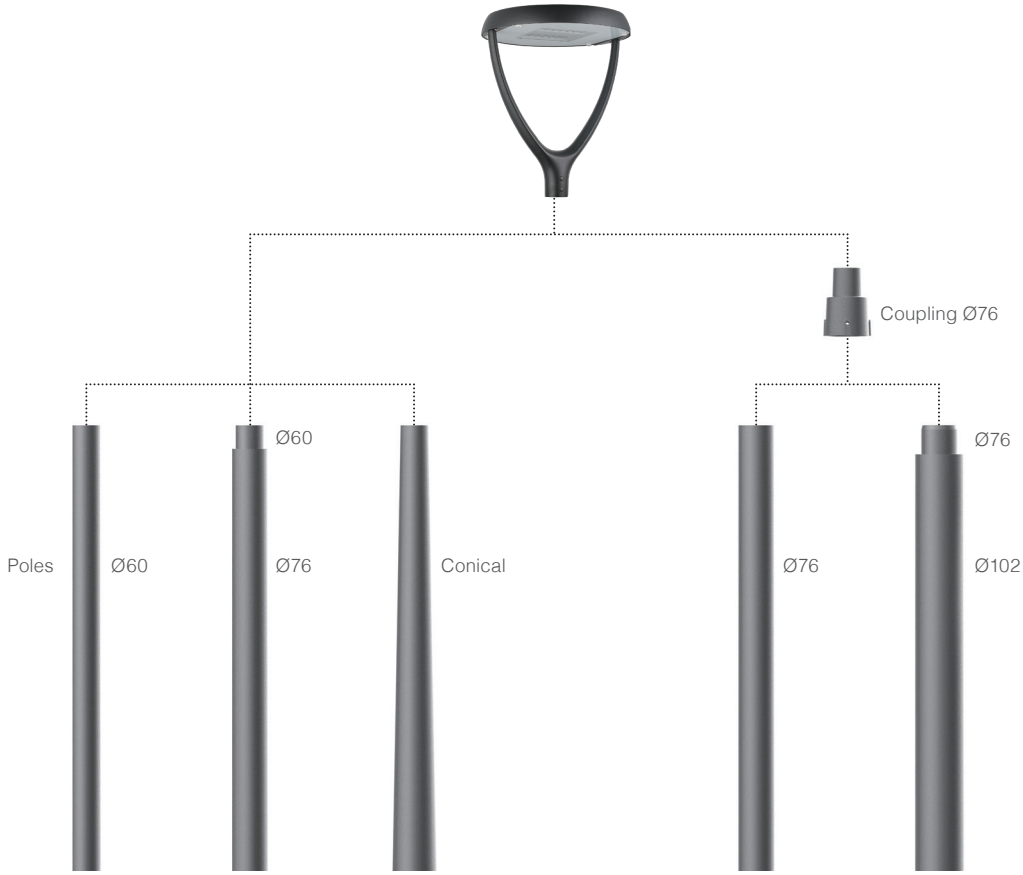


NEMA System




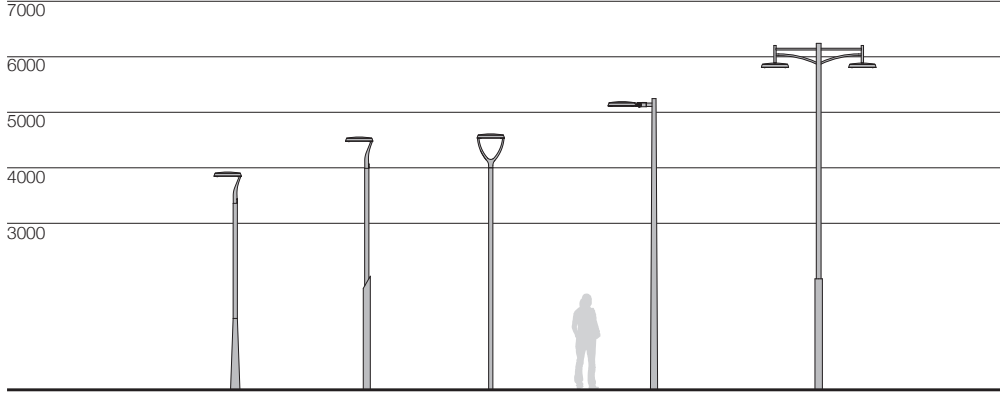
Unit: mm

Technical Drawing

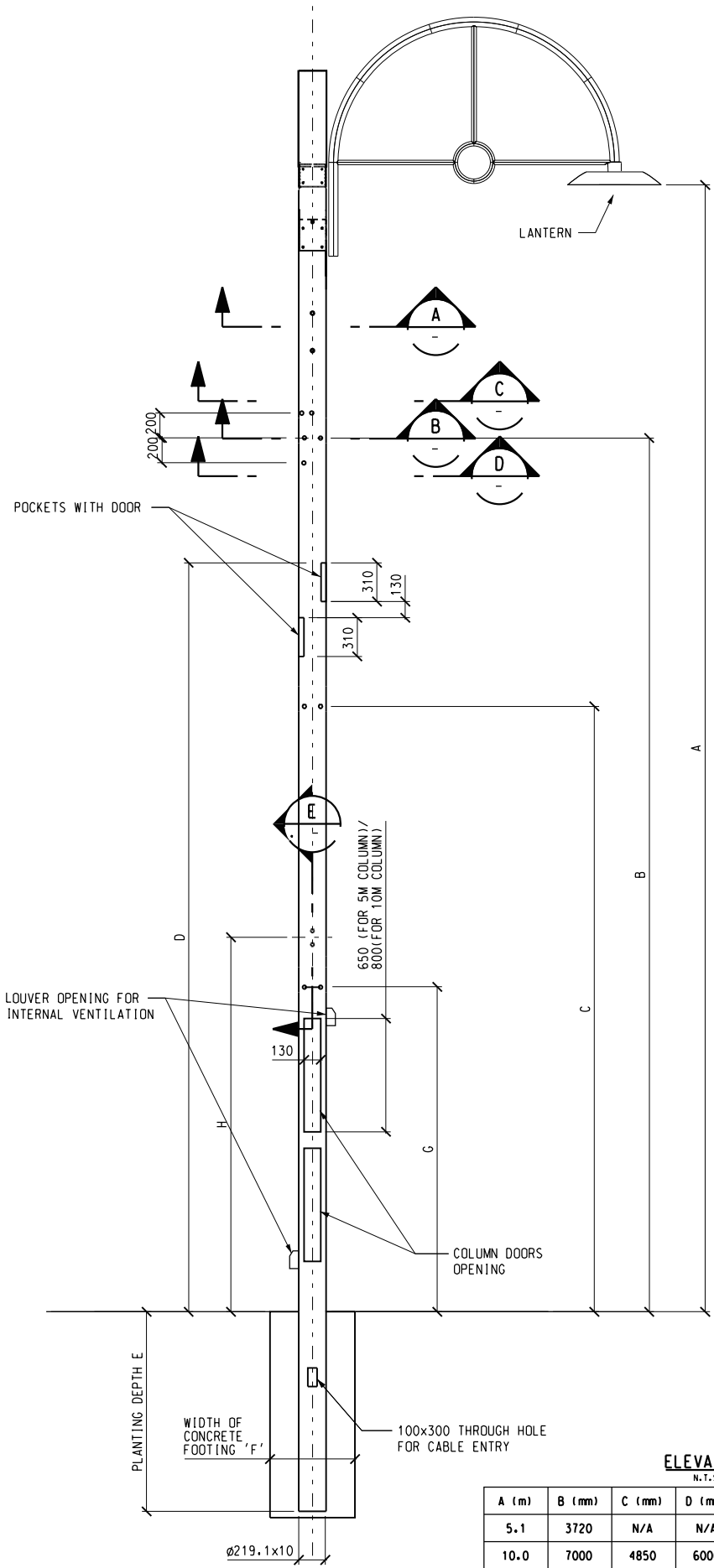


Accessories

	Code
 Ø60-76 Pole reducer Required for install on the pole.	210001465

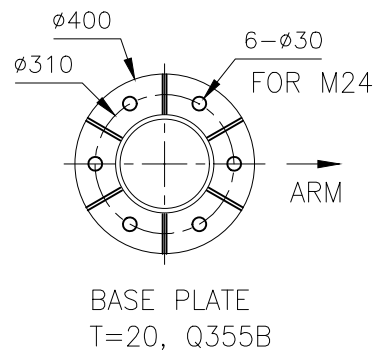
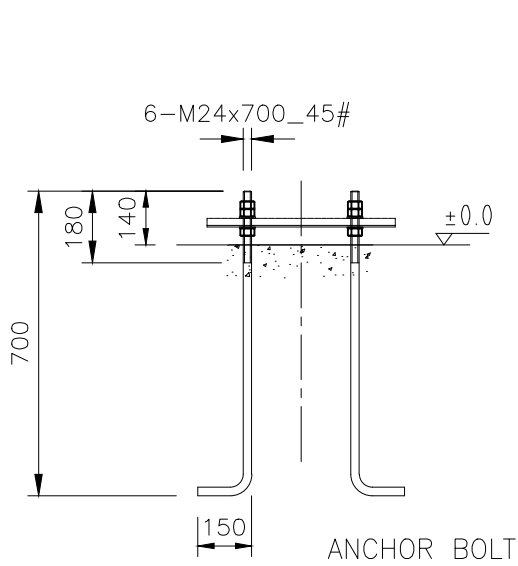
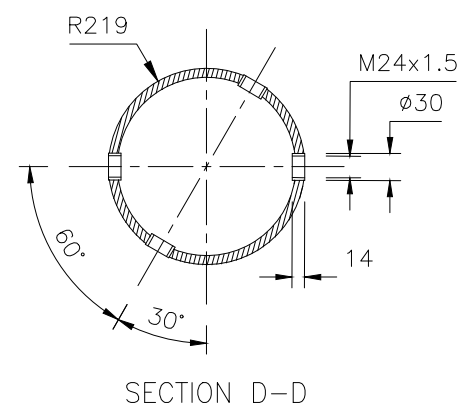
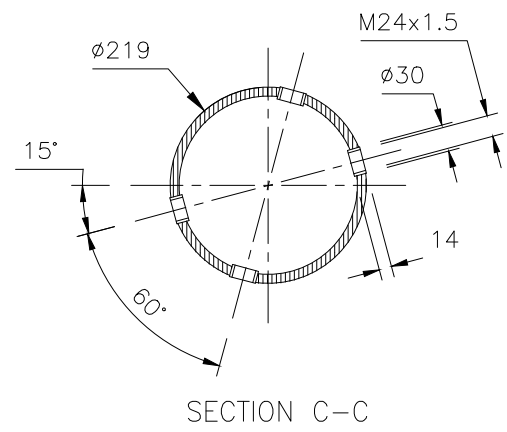
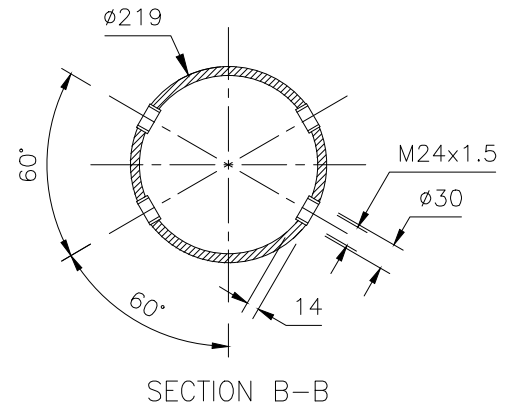
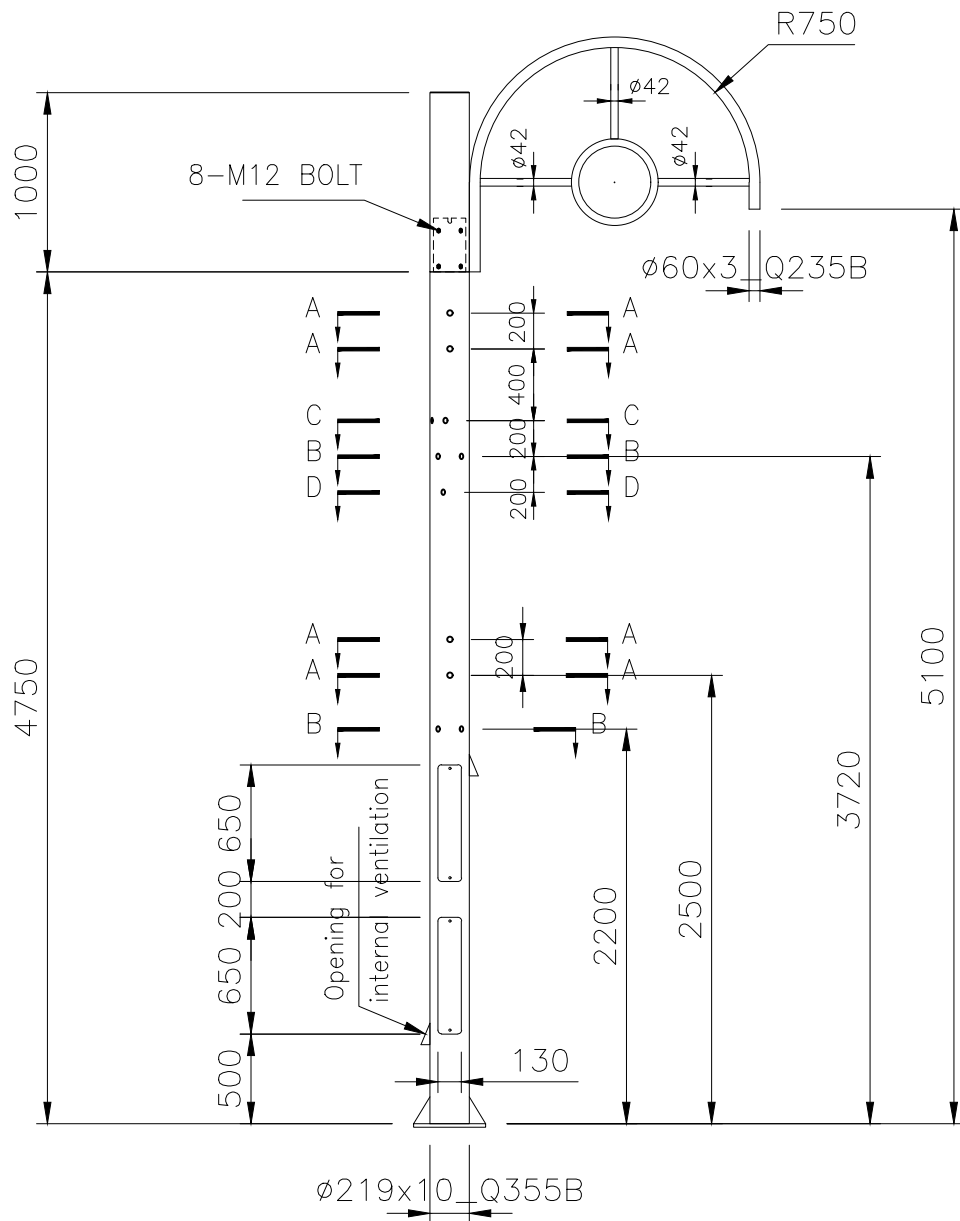
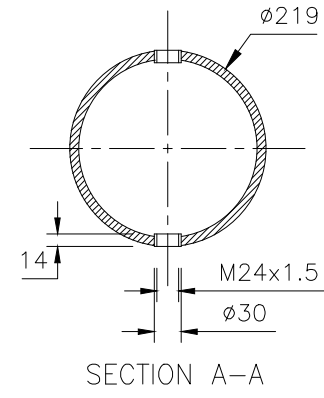


Unit: mm



ELEVATION
N.T.S.

A (m)	B (mm)	C (mm)	D (mm)	E (mm)	F (mm)	G (mm)	H (mm)
5.1	3720	N/A	N/A	1500	1100	2200	2600
10.0	7000	4850	6000	1500	1500	2600	3000

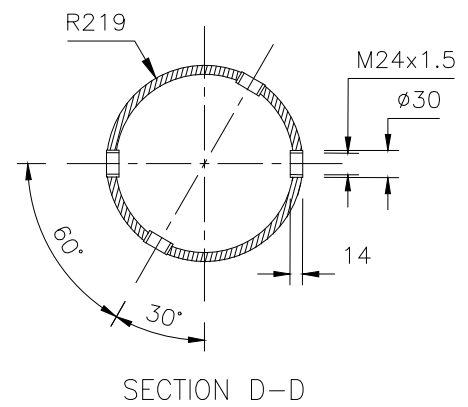
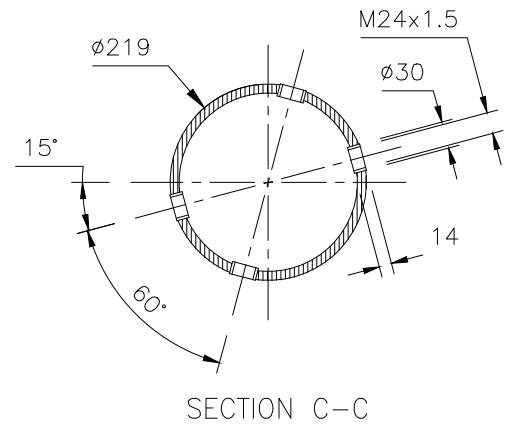
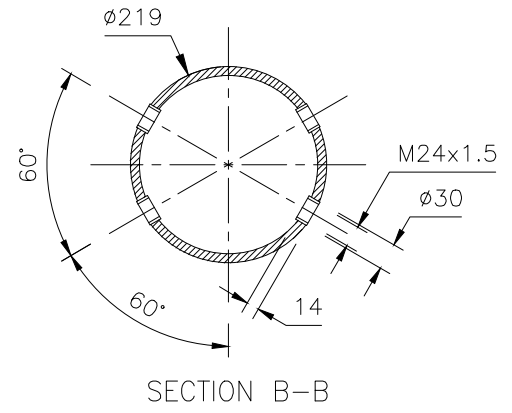
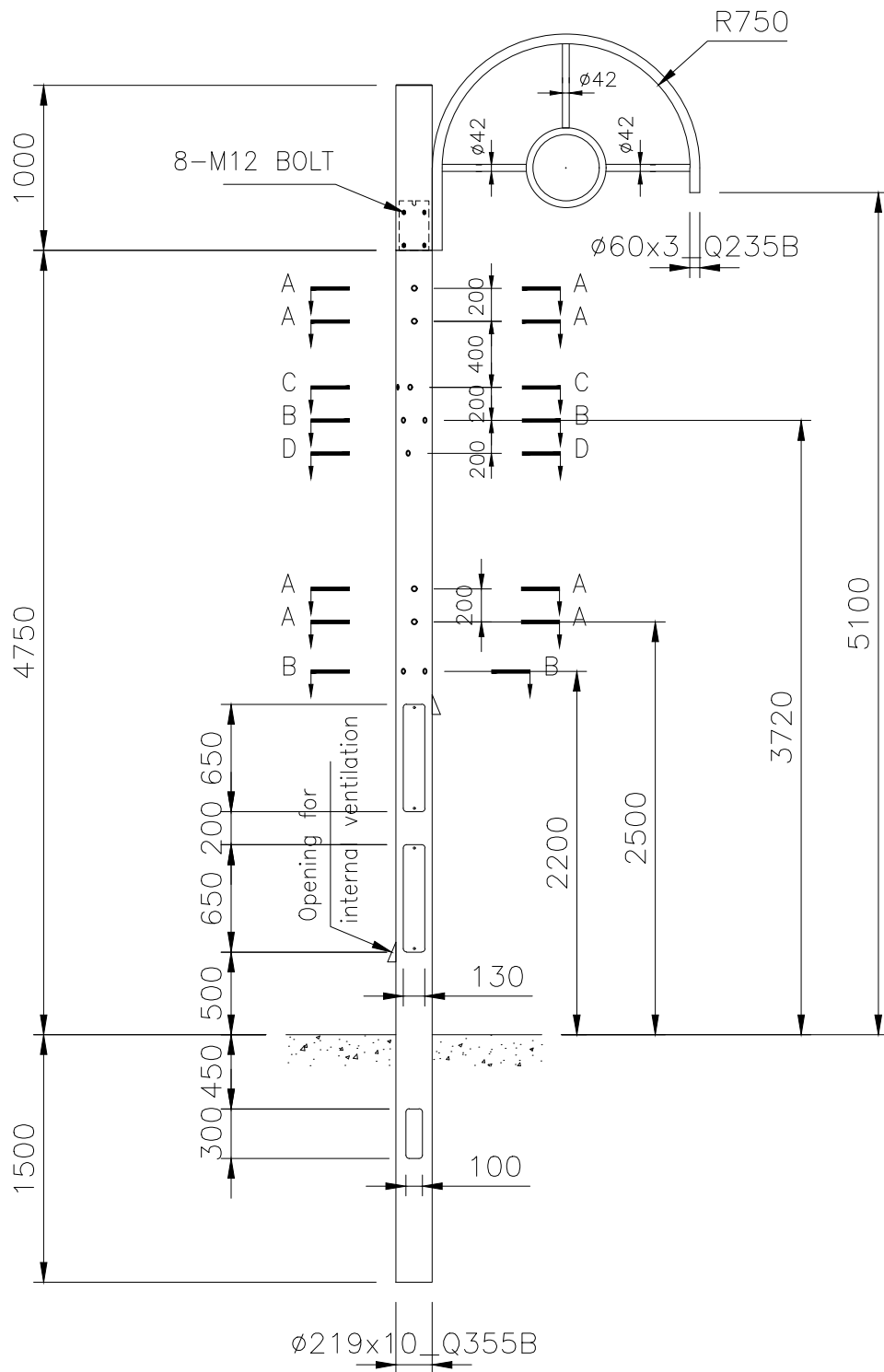
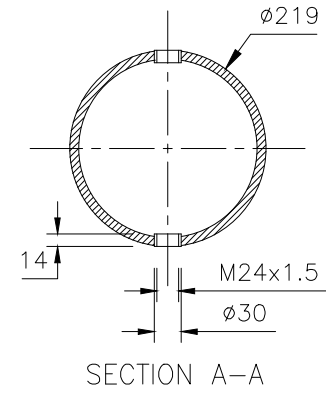


HOT DIP GALVANIZED AND PAINTED

DIMON
Technology

DIMON Technology Ltd.
Tel:00852-3916 5876
Fax:00852-21203398
Http://www.dimontechnology.com
E-mail:gary@dimontechnology.com

		CLIENT					
		TITLE	5.1m column				
		DRAWN	WEN	2022.05.30	MATERIAL		MANUFACTURING ORDER
		ENGR			THK(mm)		
		CHECKED			WT(kg)		
REV ID	DATE	REVISION DESCRIPTION	SPECIFICATIONS		SCALE		P/N:QD211845-ST051-FP

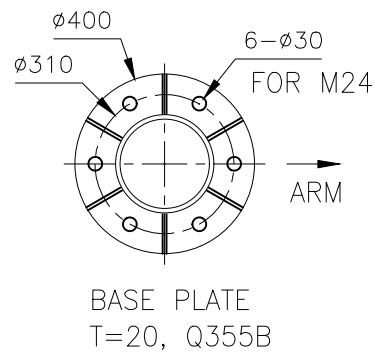
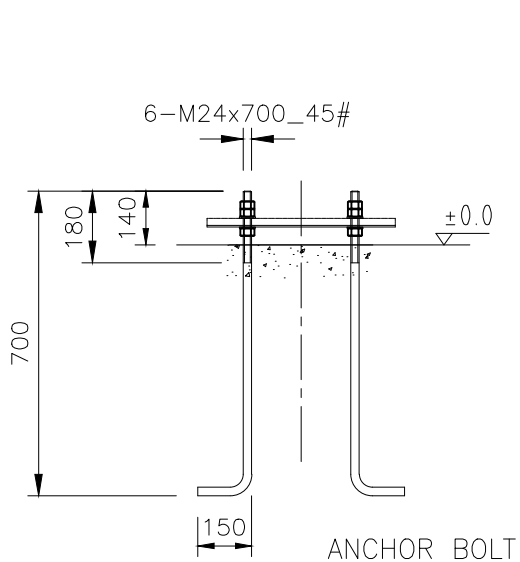
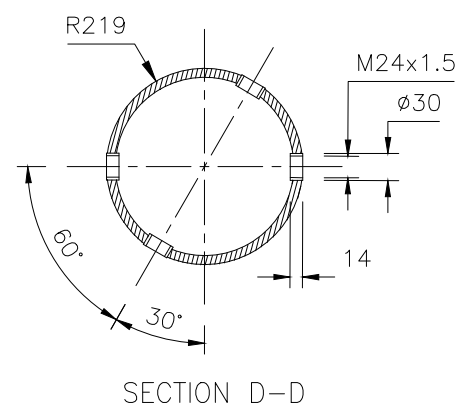
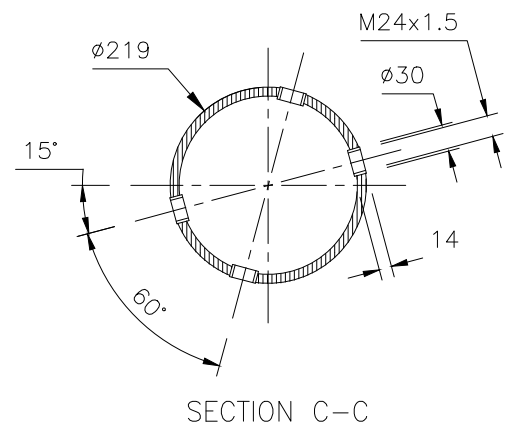
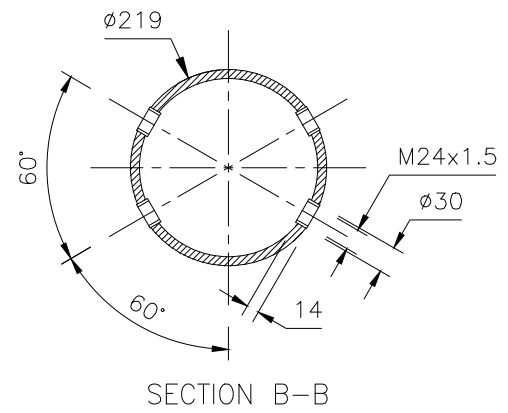
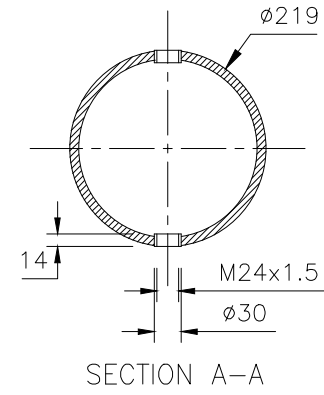
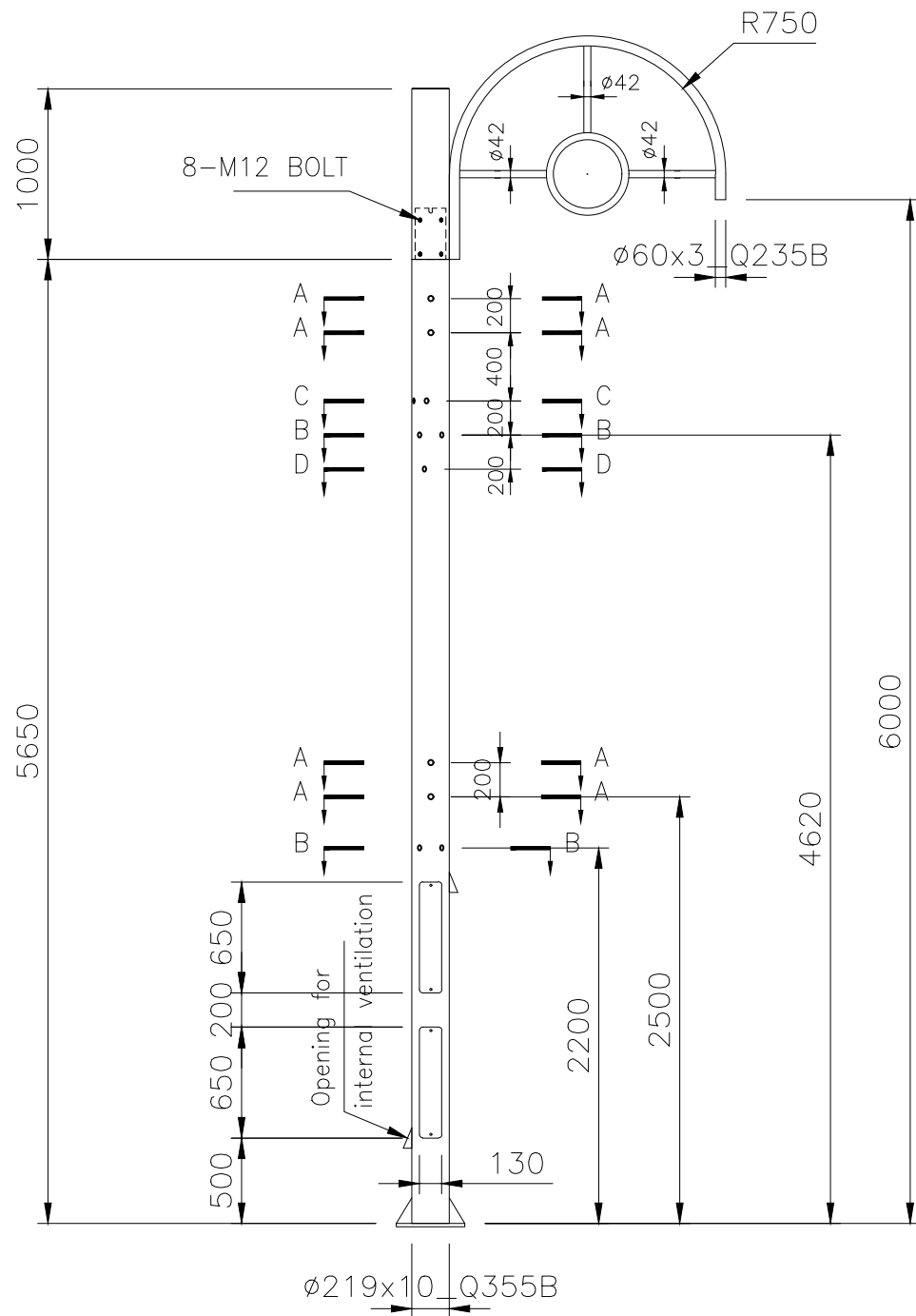


HOT DIP GALVANIZED AND PAINTED

DIMON
Technology

DIMON Technology Ltd.
Tel:00852-3916 5876
Fax:00852-21203398
Http://www.dimontechnology.com
E-mail:gary@dimontechnology.com

		CLIENT					
		TITLE		5.1m column			
		DRAWN	WEN	2022.05.24	MATERIAL		MANUFACTURING ORDER
		ENGR			THK(mm)		
A		CHECKED			WT(kg)		
REV ID	DATE	REVISION DESCRIPTION		SPECIFICATIONS	SCALE	P/N:QD211845-ST051-R0	

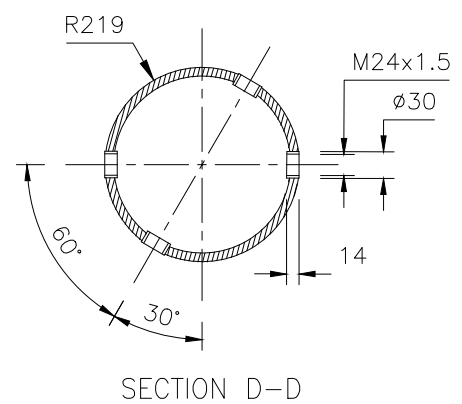
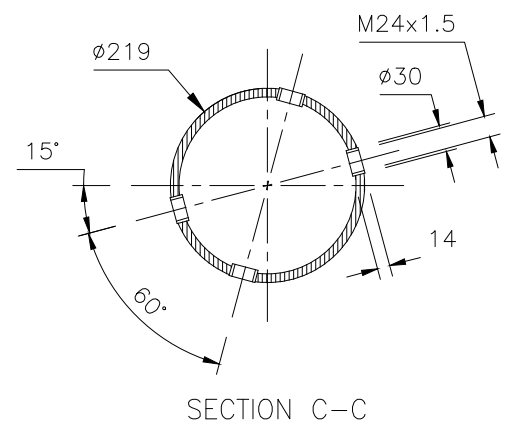
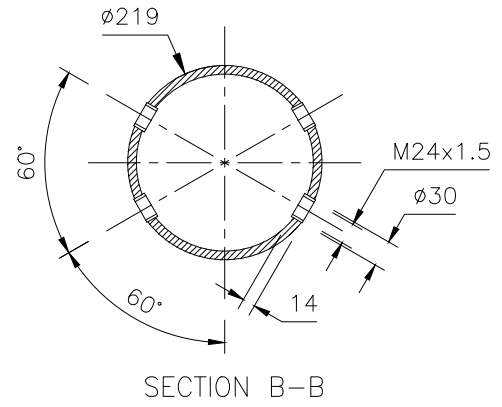
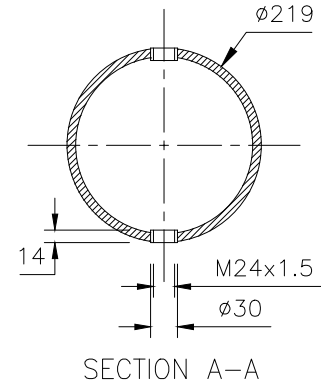
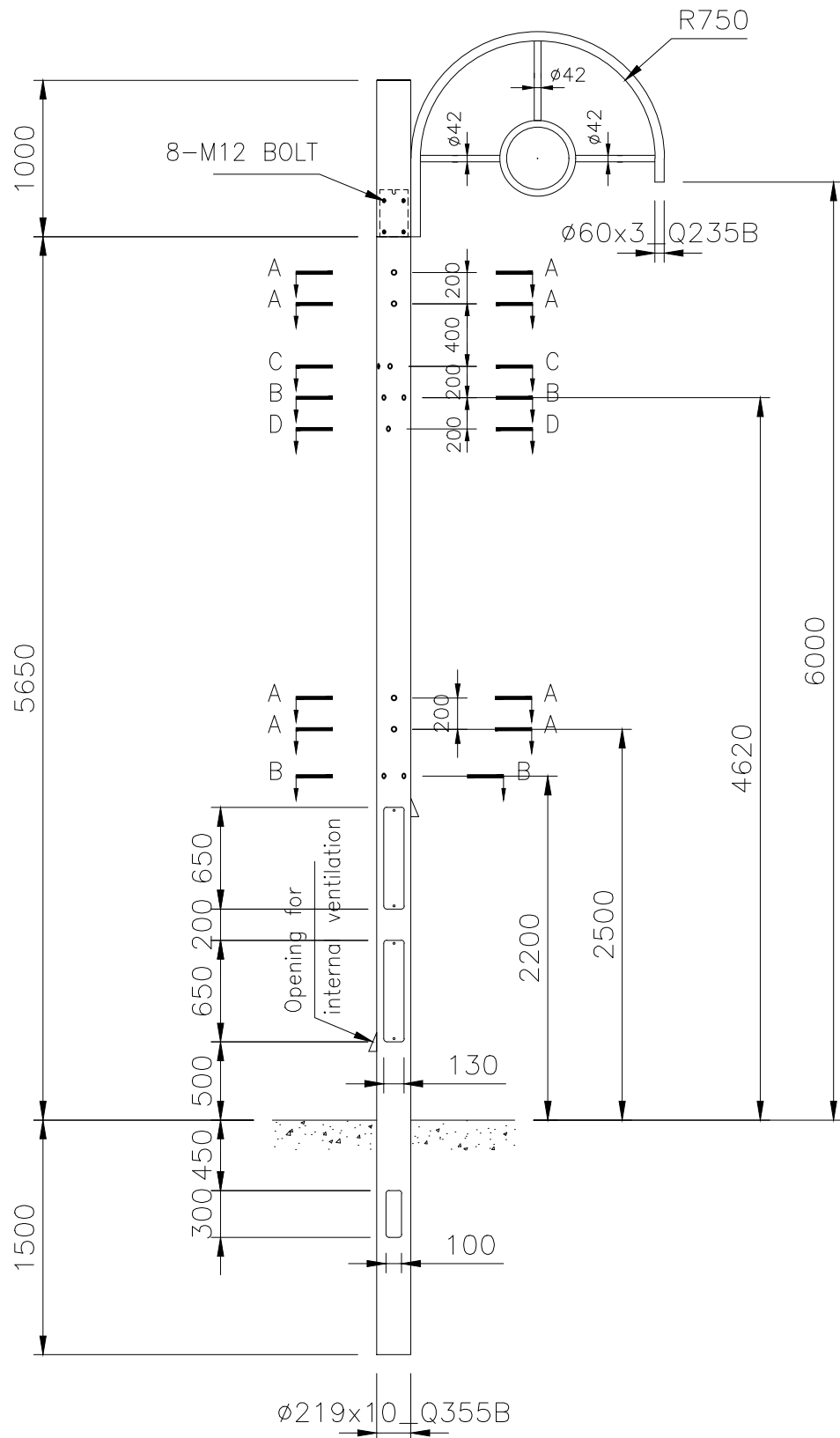


HOT DIP GALVANIZED AND PAINTED

DIMON
Technology

DIMON Technology Ltd.
Tel:00852-3916 5876
Fax:00852-21203398
Http://www.dimontechnology.com
E-mail:gary@dimontechnology.com

		CLIENT					
		TITLE	6.0m column				
		DRAWN	WEN	2022.05.30	MATERIAL		MANUFACTURING ORDER
		ENGR			THK(mm)		
		CHECKED			WT(kg)		
REV ID	DATE	REVISION DESCRIPTION	SPECIFICATIONS		SCALE		P/N:QD211845-ST060-FP

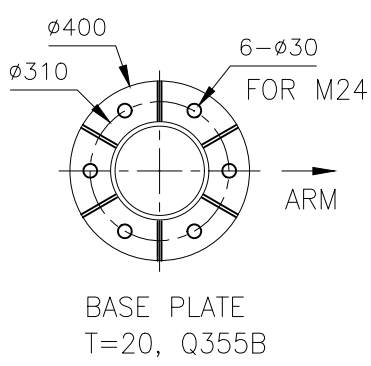
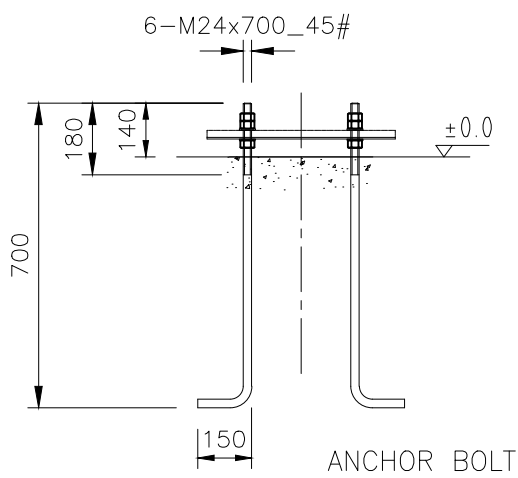
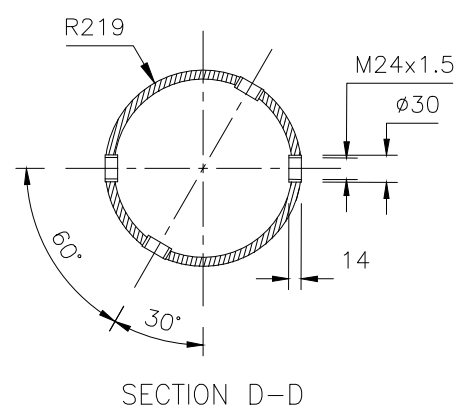
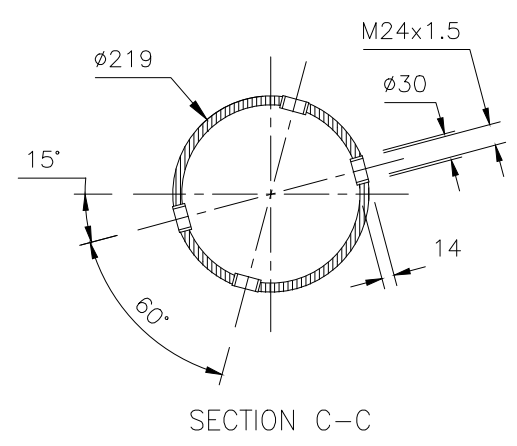
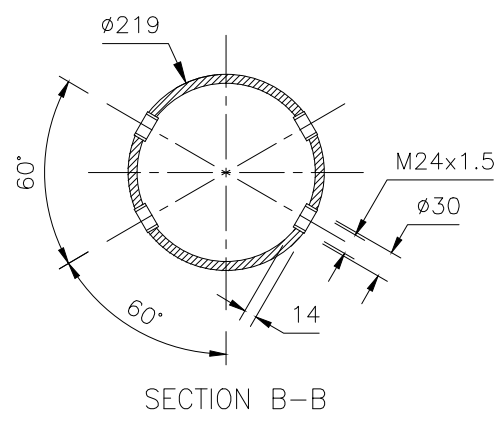
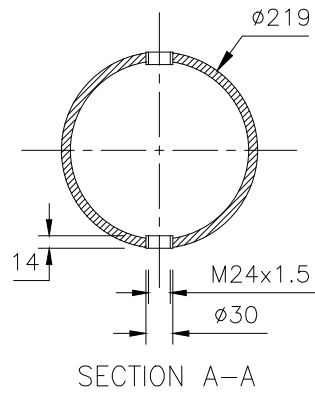
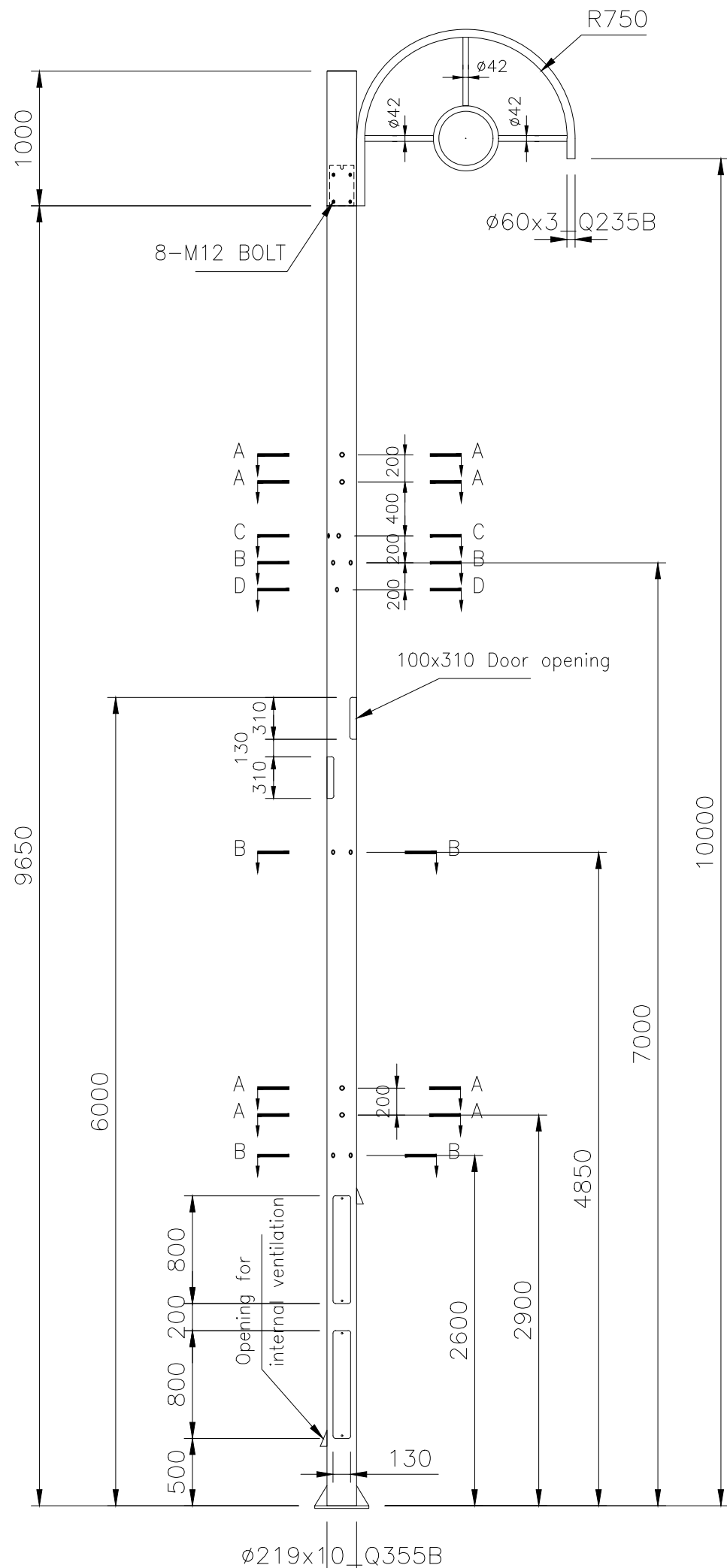


HOT DIP GALVANIZED AND PAINTED

DIMON
Technology

DIMON Technology Ltd.
Tel:00852-3916 5876
Fax:00852-21203398
Http://www.dimontechnology.com
E-mail:gary@dimontechnology.com

		CLIENT				
		TITLE	6.0m column			
		DRAWN	WEN	2022.05.24	MATERIAL	MANUFACTURING ORDER
		ENGR			THK(mm)	
A		CHECKED			WT(kg)	
REV ID	DATE	REVISION DESCRIPTION	SPECIFICATIONS		SCALE	P/N:QD211845-ST060-RD

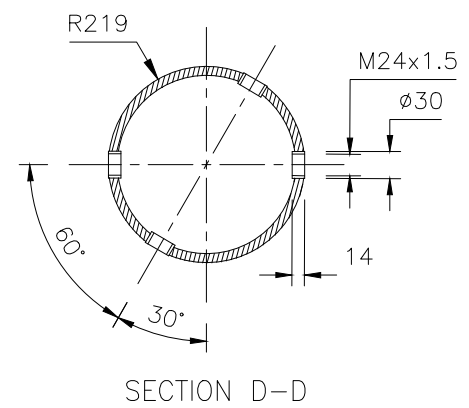
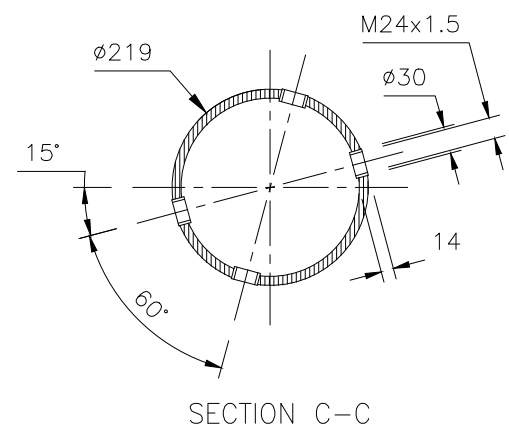
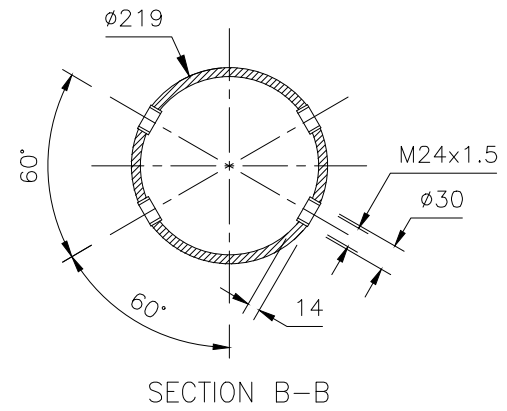
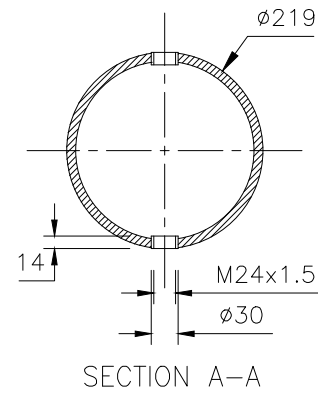
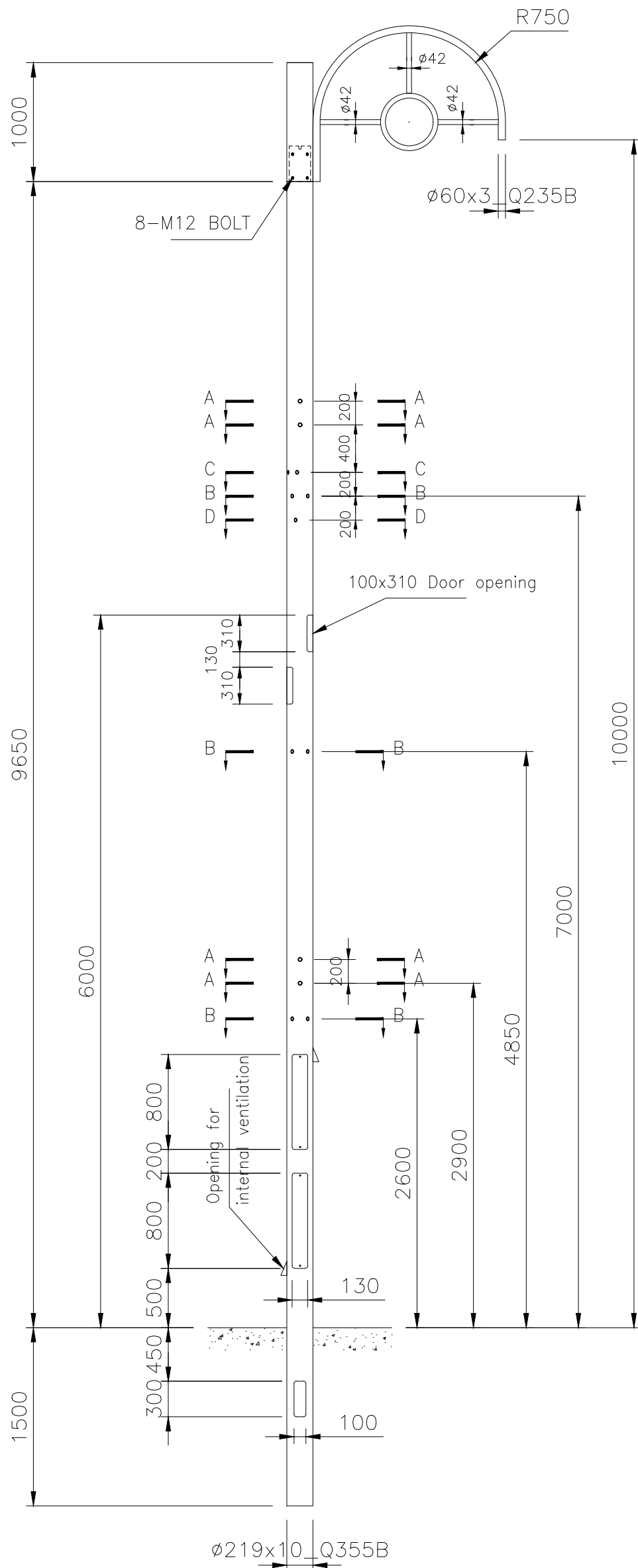


HOT DIP GALVANIZED AND PAINTED

DIMON
Technology

DIMON Technology Ltd.
Tel:00852-3916 5876
Fax:00852-21203398
Http://www.dimontechnology.com
E-mail:gary@dimontechnology.com

		CLIENT					
		TITLE		10.0m column			
		DRAWN	WEN	2022.05.30	MATERIAL		MANUFACTURING ORDER
		ENGR			THK(mm)		
A		CHECKED			WT(kg)		
REV ID	DATE	REVISION DESCRIPTION		SPECIFICATIONS	SCALE	P/N:QD211845-ST100-FP	



HOT DIP GALVANIZED AND PAINTED

DIMON
Technology

DIMON Technology Ltd.
Tel:00852-3916 5876
Fax:00852-21203398
Http://www.dimontechnology.com
E-mail:gary@dimontechnology.com

		CLIENT				
		TITLE		10.0m column		
		DRAWN	WEN	2022.05.24	MATERIAL	MANUFACTURING ORDER
		ENGR			THK(mm)	
		CHECKED			WT(kg)	
A						P/N:QD211845-ST100-RD
REV ID	DATE	REVISION DESCRIPTION	SPECIFICATIONS		SCALE	