

GILEAD-T

15W Moluar Bollad up to 2M



CB

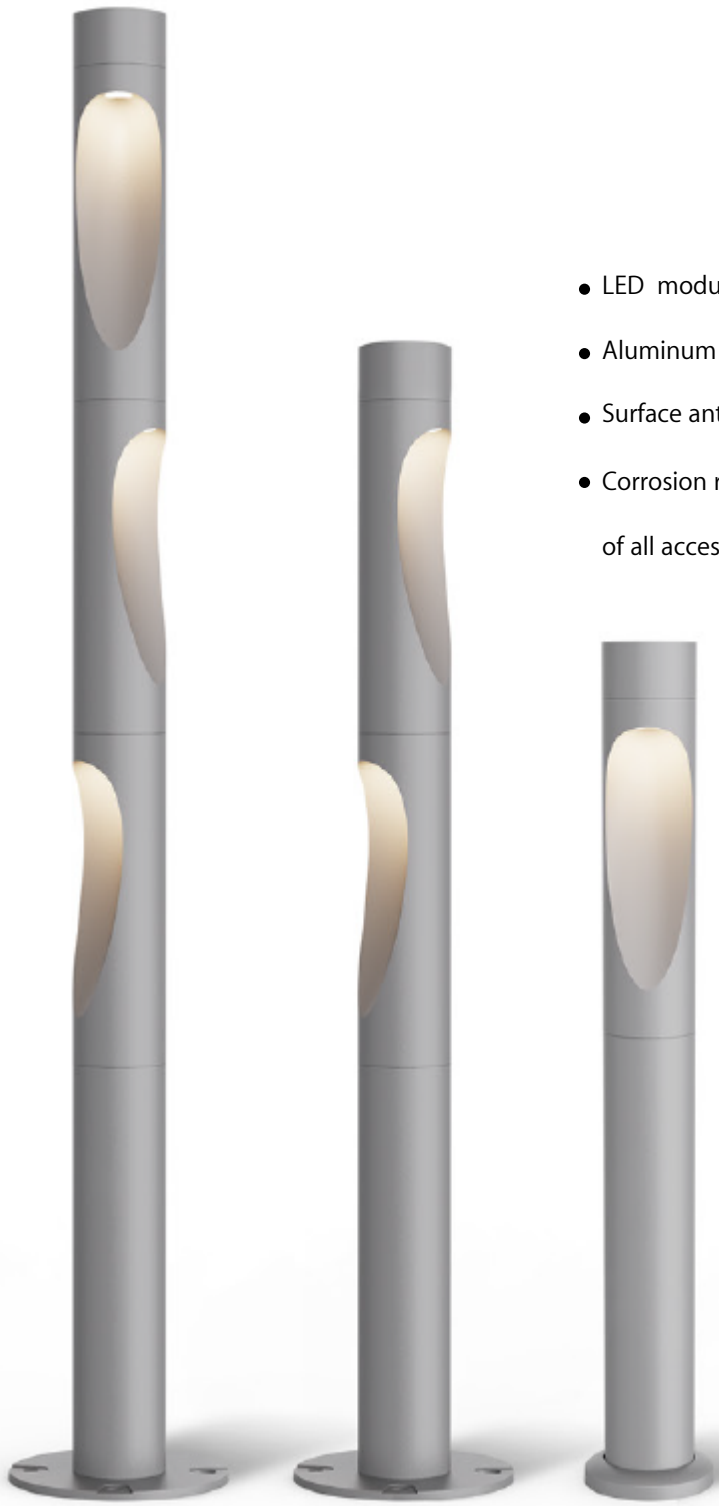


IK 09

IP66







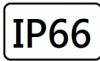




0-10V



- LED modular solution
- Aluminum die casting cover, extruded alminum body with supper tempered gals
- Surface anti-ultraviolet pure polyester powder painting,
- Corrosion resistance can bomore than 1000 hours. The maximum surface temperatu
of all accessible part under 50 degrees for safety and reliable.



Technical Data

Luminaire Type-安裝方式Tipo de luminaria	Pole Mounted with Anchor Bolt地腳螺栓固定Montaje en poste con perno de anclaje Anchor Bolt for Height <1000mm 高度<1000mm的爆炸螺絲Perno de anclaje para altura <1000 mm		
Power Consumption with LED Driver LED燈具包括LED驅動電源功率 Consumo de energía con controlador de LED	<ul style="list-style-type: none"> • Dia 118x H 800mm : 15W- 1 set LED Modular • Dia 118x H 1000mm : 15W- 1 set LED Modular • Dia 118x H 1500mm : 30W- 2 set LED Modular • Dia 118x H 1500mm : 45W- 3 set LED Modular 		
Input Voltage / 輸入電壓 Voltaje de entrada	100 ~ 240VAC (50~60HZ)		
Control Protocol/控制協議 Protocolo de Control	Integrated-type LED Driver--Refer to LED driver specification 請參閱LED驅動器規格 Consulte la especificación de controlador de LED 1. ON/OFF Switch AC220-240V 50/60HZ 2. 1-10V Dimming Driver AC220-240V 50/60HZ 3. Dali Dimming 1-100% Driver AC220-240V 50/60HZ		
LED Driver Features驅動特性 Funciones del controlador de LED	POWER FACTOR : PF>0.90 or PF:>0.95 @ Full Load TOTAL HARMONIC DISTORTION: THD< 20%		
Light Source Brand-光源品牌-Fuente de luz de marca	CREE		
"Lumen Maintenance LM-80 Reported by TM-21"	L70 > 45,000 Hours		
LED Life-LED壽命-La vida del LED	>50,000 hours		
Color Temperature 色溫 Temperatura y color	2700K / 3000K / 4000K/ 5000K/ 6500K		
Color Rendering Index-顯色指數 Índice de reproducción cromática	>80		
MacAdam Ellipses Binning 麥克亞當橢圓分級 Mac Adam binning elipse	Standard Deviation Colour Matching 3 SCDM 標準偏差配色 3 SCDM Coincidencia de color estándar Desviación		
Beam Angle光束角ángulo de haz	Asymmetric Angle不對稱角度Ángulo asimétrico		
Luminaire Efficacy燈具效率 La eficacia de la luminaria	100m/w(2700K) 120m/w(6500K)	100m/w(3000K)	110m/w(4000K) 120m/w(5000K)
LED Source Luminous Efficacy LED光源光效 Fuente luminosa LED Eficacia	130m/w(2700K) 160m/w(6500K)	130m/w(3000K)	150m/w(4000K) 160m/w(5000K)
Housing materials 外殼材料 Materiales de la carcasa	Aluminum extruded column and Tempered Glass 鋁擠壓柱和鋼化玻璃 Columna de Aluminio extrusionado y Vidrio Templado		
Housing Color 外殼顏色 color de la carcasa	Polyester powders Coating (RAL 9007 Grey). / (RAL9005 Black) / (RAL9003 White) 聚酯粉末塗料(RAL 9007 銀灰色) / (RAL9005 黑 / (RAL9003 白) Revestimiento de polvos de poliéster (RAL 9007 Gris). / (RAL9005 Negro) / (RAL9003 Blanco)		
Ingress Protection-防護等級 Protección de ingreso	IP66		
Mech impact protection機械衝擊保護 Protección contra impactos mecánicos	IK09		
Operating Temperature Range / 工作溫度範圍 Rango de temperatura de funcionamiento	-30 °C / +50 °C		
Operating Humidity -工作濕度 Humedad de funcionamiento	0~90%, non-condensing-不結霜 sin condensación		
Dimension 尺寸 Dimensión Weight/重量/Peso	<ul style="list-style-type: none"> • Dia 118x H 800mm / 3.4KG • Dia 118x H 1500mm / 7.3 KG 		<ul style="list-style-type: none"> Dia 118x H 1000mm/ 3.5 KG Dia 118x H 1500mm/ 9.8KG
Certificate Standard Complied 符合安規標準 estándar certificado de cumplimiento	LED Luminaries: IEC/EN 60598-1 ; IEC/EN 60598-2-3; IEC TR 62778; IEC 62031 LED Driver: IEC 61347-1; IEC 61347-2-13; EN 55015; IEC 61000-3-2; IEC 61000-3-3; IEC 61547; EN 62384		
Certification-認證-Certificación	        		

Project	Fixture#	Date
		Firm

Ordering Information

Choose the option that suits your need and write its corresponding code on the appropriate line to form the product code.

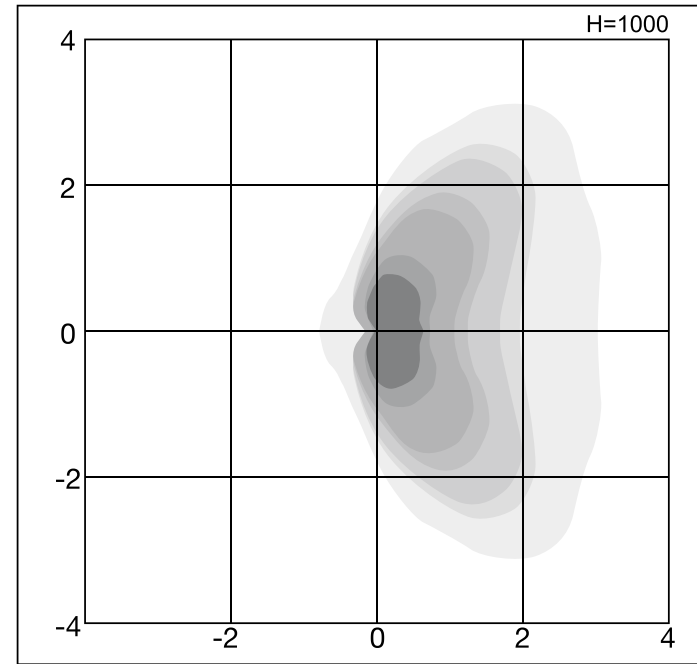
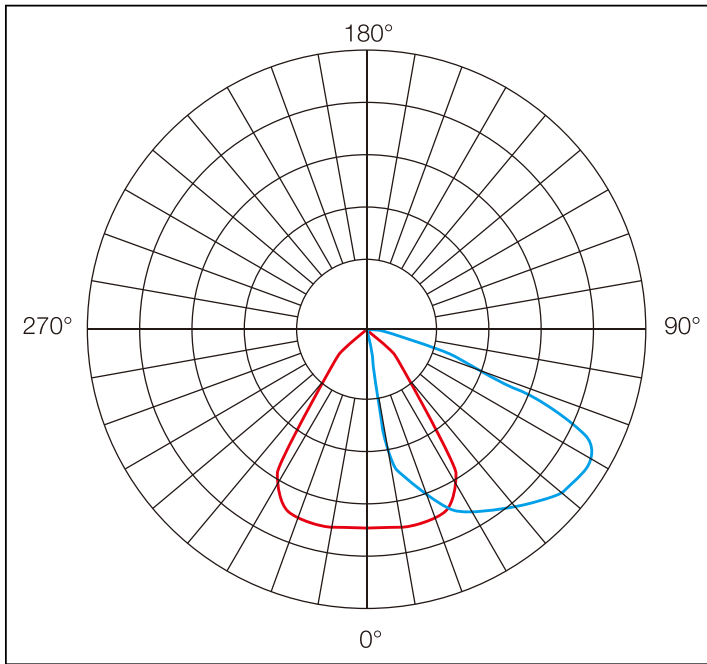
Example product code: [GILEAD-30W](#)

GILEAD - _____
POWER
CONSUMPTION

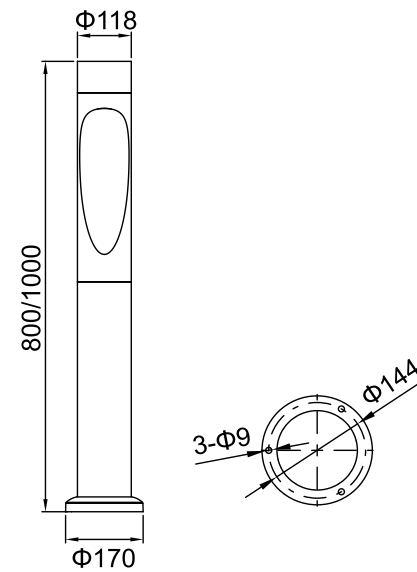
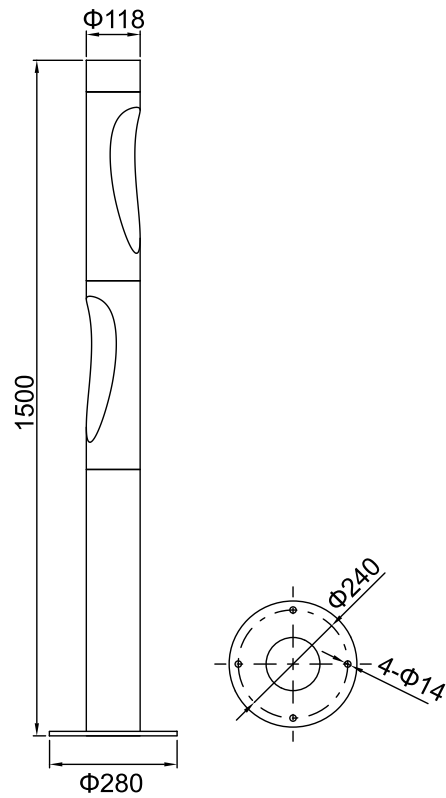
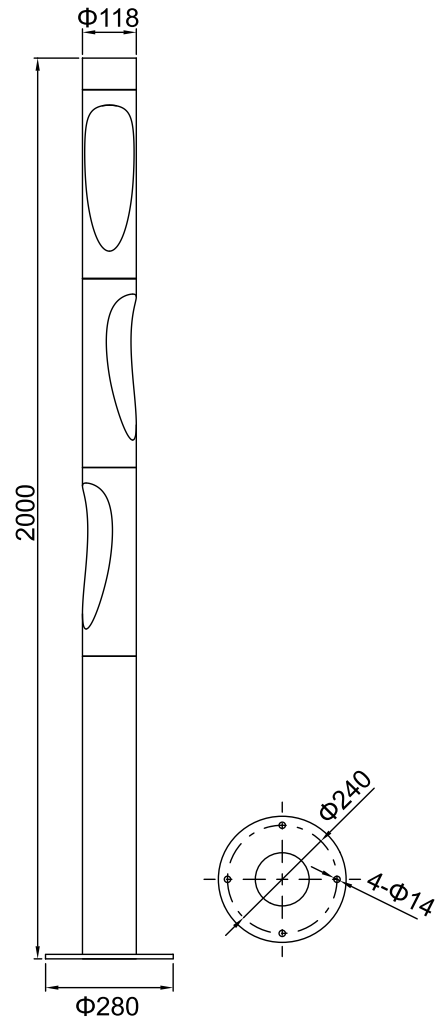
POWER CONSUMPTION	
Code	Description
15W	15W 1 set LED Modular@Dia 118x H 800mm
15W	15W 1 set LED Modular@Dia 118x H 1000mm
30W	30W 2 set LED Modular@Dia 118x H 1500mm
45W	45W 3 set LED Modular@Dia 118x H 1500mm



Beam Angle



Technical Drawing



Unit: mm