




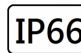



GILEAD-X

80M Max



LED GARDEN LIGHTING. Made by Aluminum Alloy with anti-aging waterproof silicone gasket, stainless steel screws and clear safety tempered glass. The asymmetrical beam light distribution is suitable especially for the streets lighting or Area Lighting according to EN 13201. Hot-dip galvanized (EN ISO 1461) Pole with Polyester powders Coating Comply EN40 European @ Basic Wind Speed: 72m/s.

Technical Data

Luminaire Type- 安裝方式 Tipo de luminaria	Dia 60mm or 76mm Top Mounted (Angle adjustable from -30° up to +90°) 直徑60mm或76mm的桿式安裝頂部 (角度可在-30° 至+ 90° 範圍內調節) Montaje en poste de 60 mm o 76 mm de diámetro (ángulo ajustable de -30° a + 90°) Wall Mounted 壁裝Montado en la pared
Dimension-尺寸-Dimensión	• L:490 x W:330 x H: 170mm refer to drawing
Input Voltage-輸入電壓-Voltaje de entrada	AC220-240V 50/60HZ
Power Consumption Max-燈具功率 Consumo de energía Max	• 20W 40W 60 W 80 W
LED Driver Type LED驅動款式 Tipo de controlador LED	Integrated-type LED Driver--Refer to LED driver specification 請參閱LED驅動器規格 Consulte la especificación de controlador de LED 1. ON/OFF Switch AC100-240V 50/60HZ 2. 0-10V Dimming Driver AC100-240V 50/60HZ 3. Dali Dimming Driver AC100-240V 50/60HZ
Power Factor / 功率因數/Factor de potencia	• PF > 0.95 @ 230VAC
Total Harmonic Distortion/總諧波失/Distorsión armónica total	THD<20%
Protection Against Surgers/防護措施/PROTECCIÓN CONTRA LAS PROMOCIONES:	• 2kV line-line • 4kV line-earth
Light Source Brand-光源品牌-Fuente de luz de marca	• LUMILEDS
LED Life-LED壽命-La vida del LED "Lumen Maintenance LM-80 Reported by TM-21" ta = 40 °C	L70> 54,000 hrs
Color Temperature -色溫 Temperatura del color	3000K / 4000K / 5000K / 5700K
Color Rendering Index-顯色指數 Índice de reproducción cromática	> 80
MacAdam Ellipses Binning 麥克亞當橢圓分級 Mac Adam binning ellipse	Standard Deviation Colour Matching < 3 SDCM 標準偏差配色< 3 SDCM Coincidencia de color estándar Desviación < 3 SDCM
Beam Angle 光束角 ángulo de haz	Symmetric: 25° / 50° / 140° Asymmetric: 1501 I Short / 3501 I Short / 3100 I Short / 3010 II Short / 3702 II Medium / 1911 III Medium / 2701 III Medium / 3910 III Medium / 5703 IV Medium
Luminaire Efficacy 燈具效率 La eficacia de la luminaria	• 100 Lm/w(3000K), • 110 Lm/w(4000K), • 120 Lm/w(5000K), • 120 Lm/w(5700K),
LED Source Luminous Efficacy LED光源光效 Fuente luminosa LED Eficacia	• 129 Lm/w(3000K), • 137 Lm/w(4000K), • 143 Lm/w(5000K), • 159 Lm/w(5700K),
Housing materials-外殼材料 Materiales de la carcasa	Aluminium alloy, aluminium reflector, Safety Tempered glass , Silicone gasket and stainless steel. 鋁合金, 鋁反射器, 安全鋼化玻璃, 矽膠墊片和不銹鋼。 Aleación de aluminio, reflector de aluminio, vidrio templado de seguridad, junta de silicona y acero inoxidable.
Housing Color 外殼顏色 color de la carcasa	Polyester powders Coating 聚酯粉末塗料Recubrimiento de poliéster en polvo • Black @ RAL 9005 • Dark Gray @ RAL 7037 • Aluminium Silver @ RAL 9006 • Graphite @ RAL 7016
Ingress Protection-防護等級 Protección de ingreso	IP66
Mech impact protection 機械衝擊保護 Protección contra impactos mecánicos	IK10
Operating Temperature Range / 工作溫度範圍 Rango de temperatura de funcionamiento	-30 °C / +50 °C
Operating Humidity -工作濕度 Humedad de funcionamiento	0~90%, non-condensing-不結霜 sin condensación
Certificate Standard Complied 符合安規標準 estándar certificado de cumplimiento	ED Luminaries: LVD: EN60598-1;IEC 60598-2-3; EMC : EN55015; EN 61547; EN 61000-3-2 ;EN 61000-3-3 LED Driver: IEC/EN 61347-1; IEC/EN 61347-2-13; IEC/EN 61000-3-2; IEC/EN 61000-3-3;IEC/EN61574;EN 55015H Hot-dip galvanised (EN ISO 1461) Pole with Polyester powders Coating Comply EN40 European @ Basic Wind Speed:80m/s
Certification-認證-Certificación	      

Project	Fixture#	Date
		Firm

Ordering Information

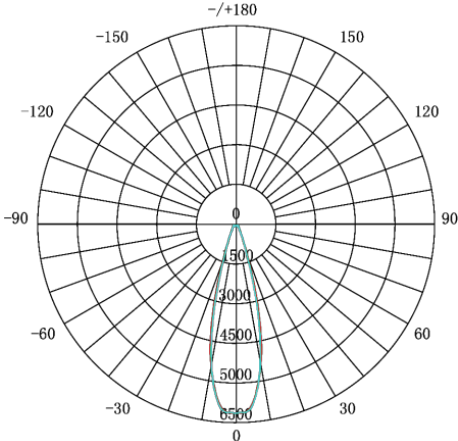
Choose the option that suits your need and write its corresponding code on the appropriate line to form the product code.

Example product code: [GATRY--20W](#)

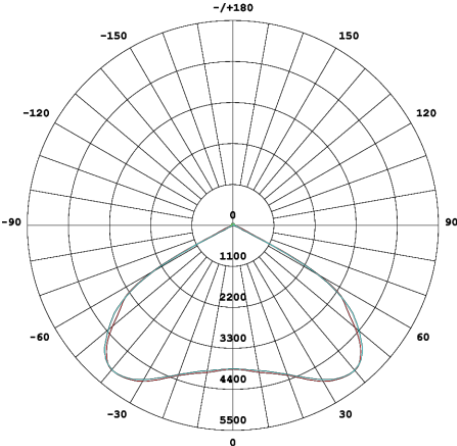
GILEAD- - _____
Power Consumption

Power Consumption	
Code	Description
20W	20W
40W	40W
60W	60W
80W	80W

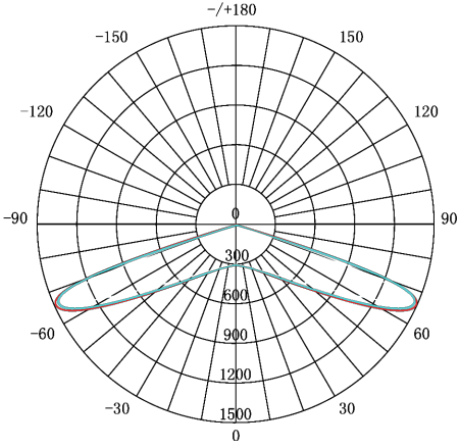
BEAM ANGLE



M: Aymmetric

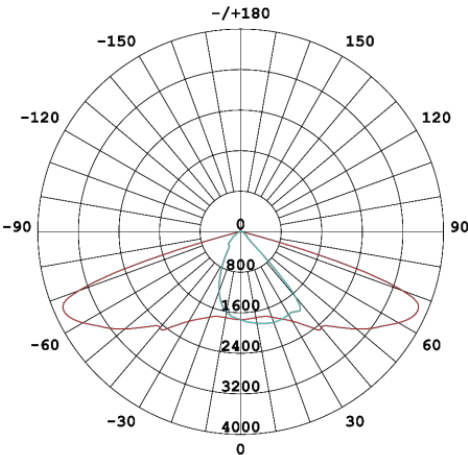


L: Aymmetric

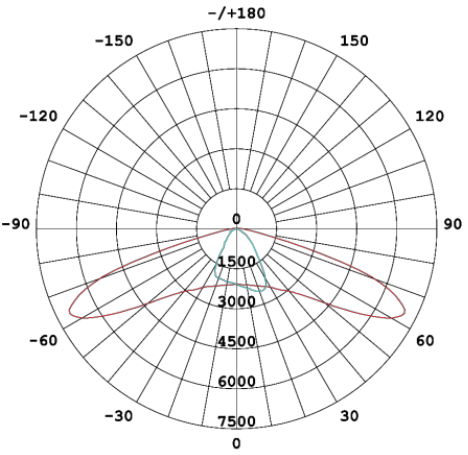


W: Aymmetric

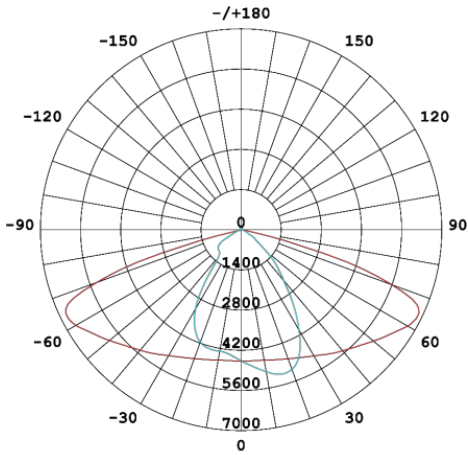
BEAM ANGLE



Asymmetric 1501 I Short

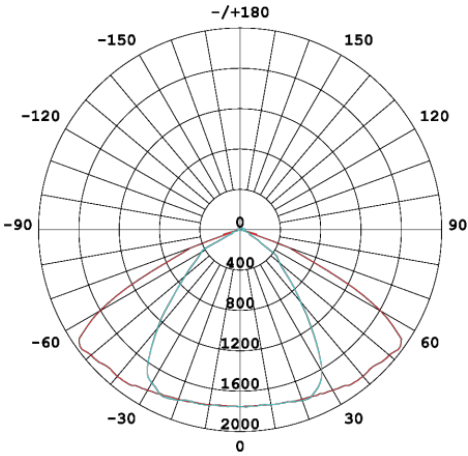


Asymmetric 3501 I Short

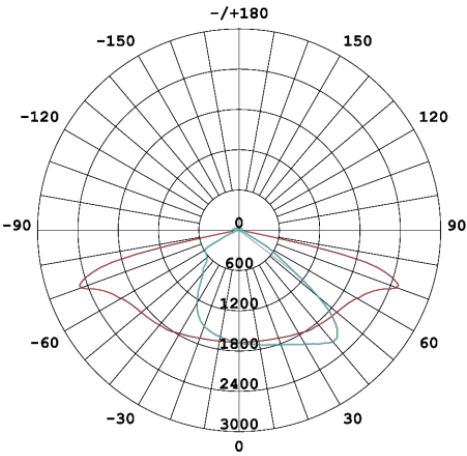


Asymmetric 3100 I Short

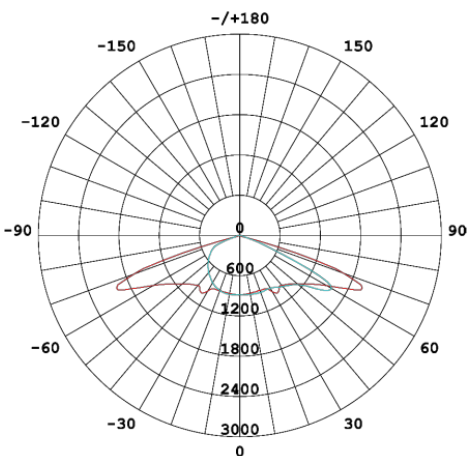
BEAM ANGLE



Asymmetric 3010 II Short

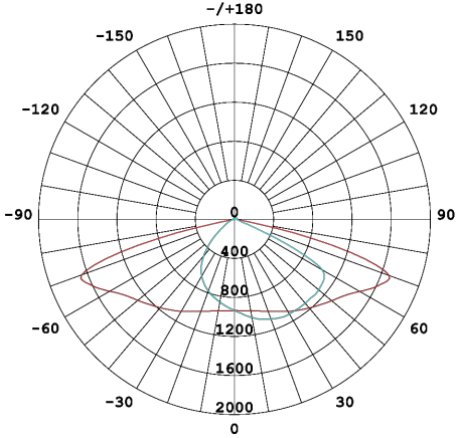


Asymmetric 3702 II Medium

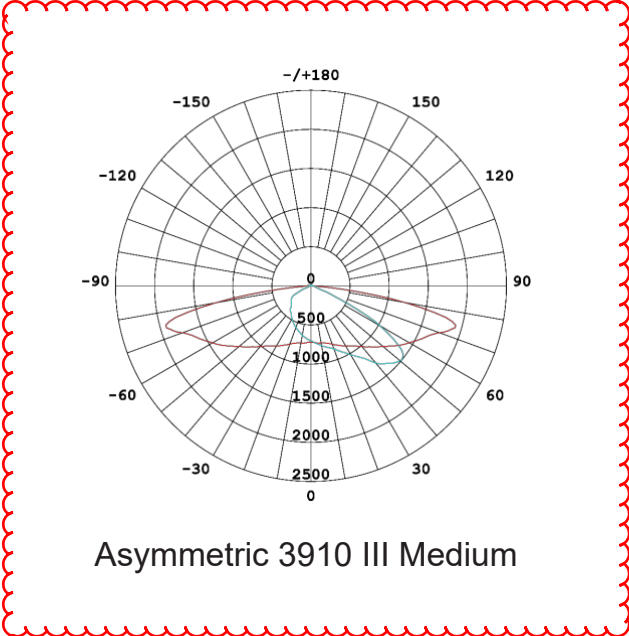


Asymmetric 1911 III Medium

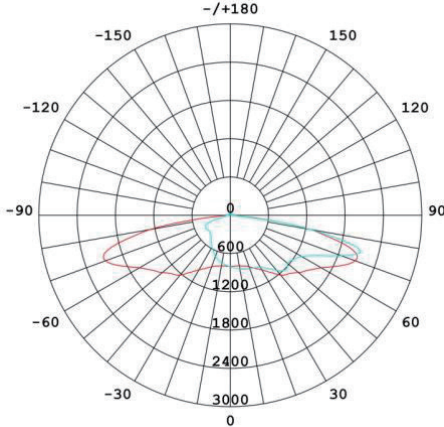
BEAM ANGLE



Asymmetric 2701 III Medium

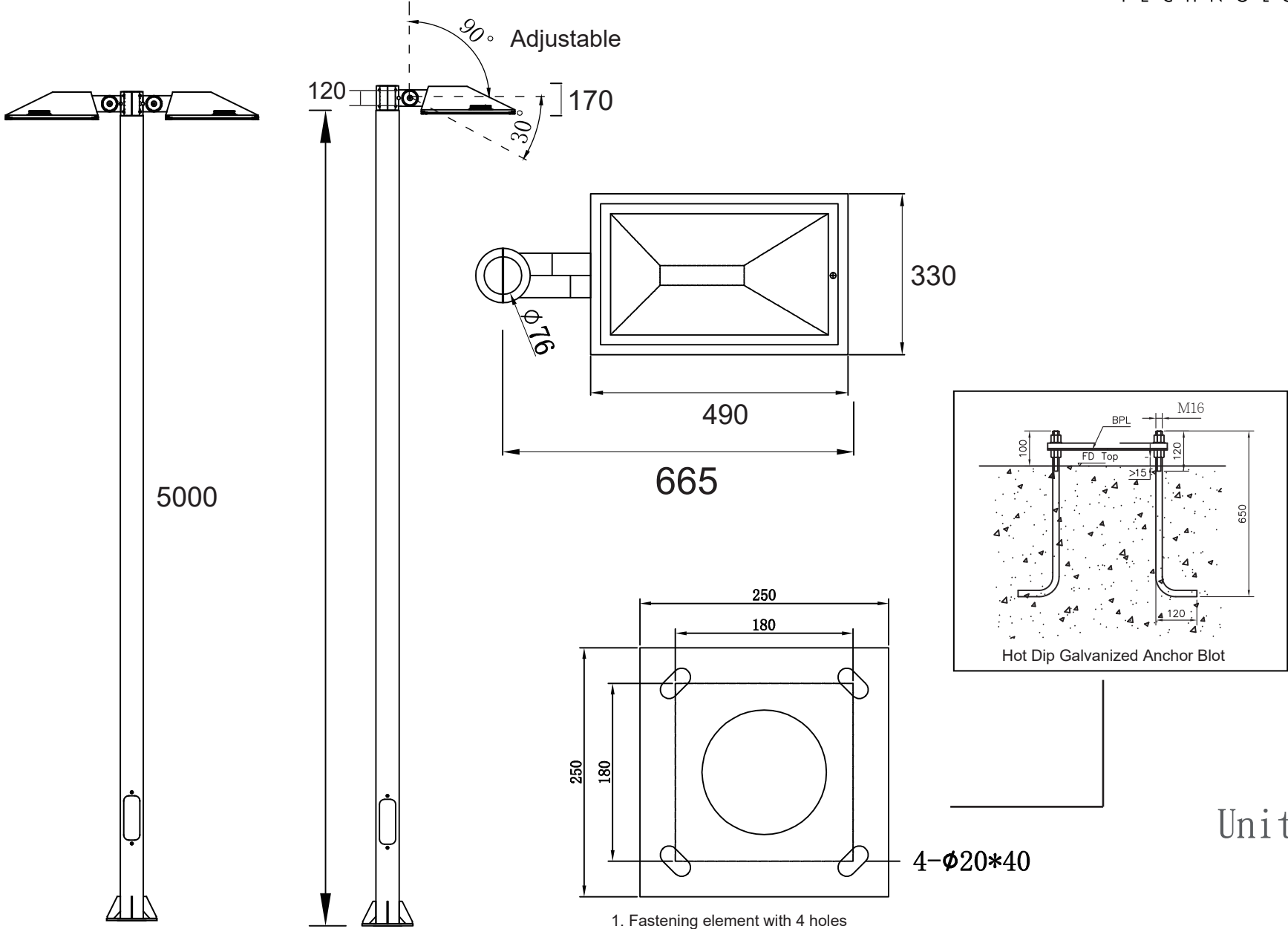


Asymmetric 3910 III Medium



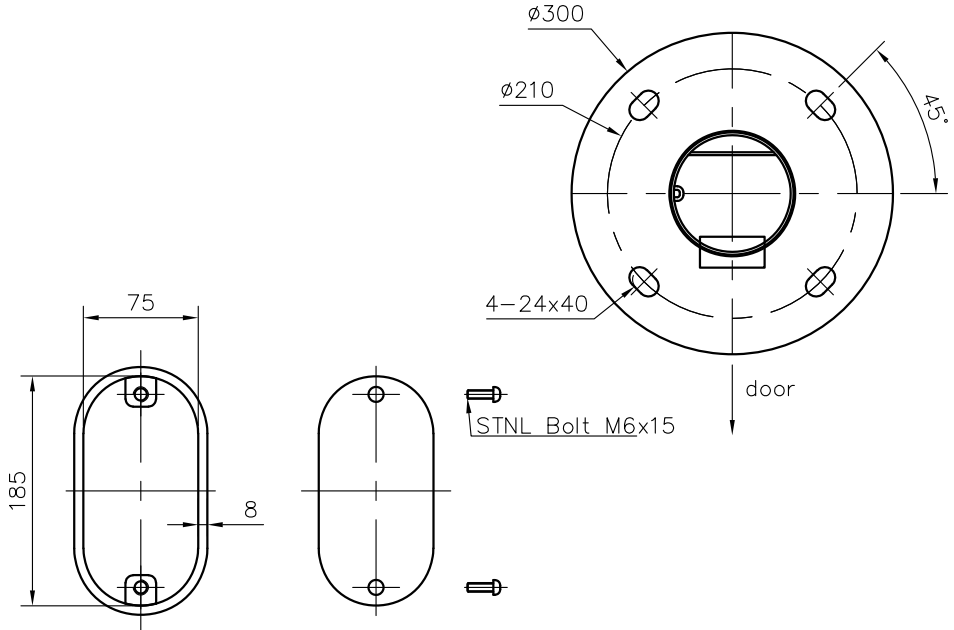
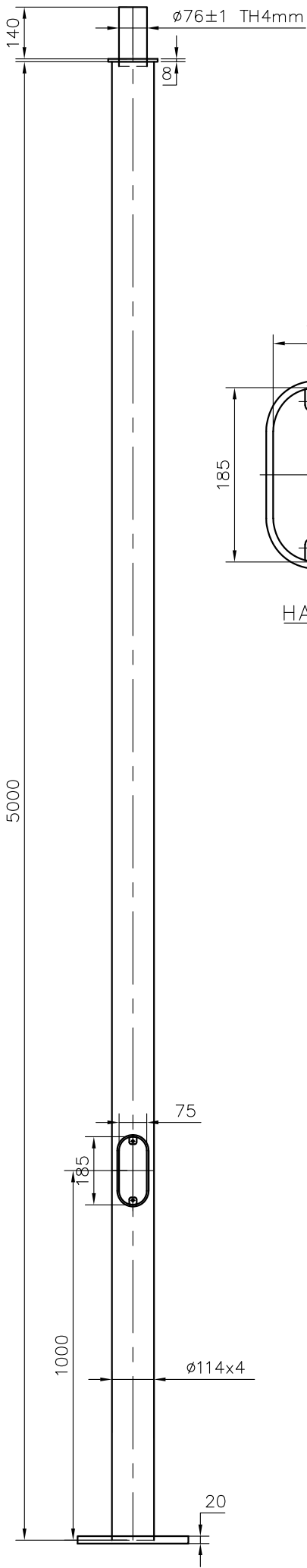
Asymmetric 5703 IV Medium

Technical Drawing

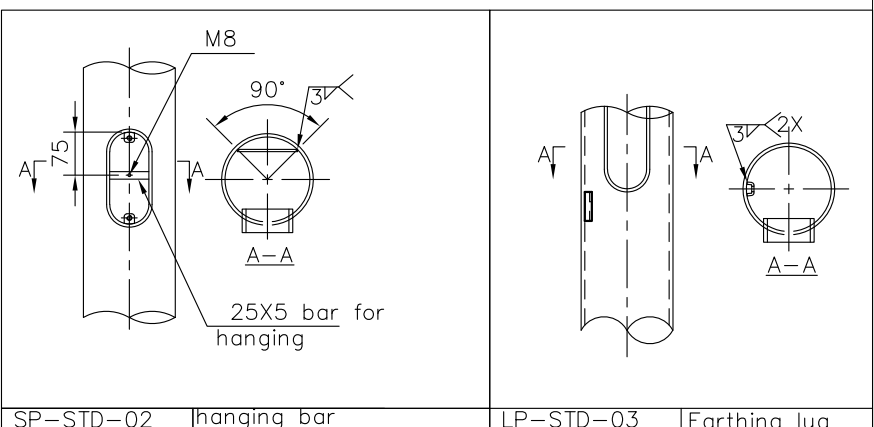


1. Fastening element with 4 holes
2. Mounting base made of hot-dip galvanised steel according to EN ISO 1461

Unit: mm



HAND HOLE-185x75



SP-STD-02 | hanging bar | LP-STD-03 | Earthing lug

DWG SIZE A4V CLASS CODE IA

CUSTOMER Macau
 DESCRIPTION LP 5m Post Top Pole

REV ID	DATE	REVISION DESCRIPTION	SPECIFICATIONS	DRAWN	sl25 2019.05.07	MATERIAL		ORDER NO	
				ENGR	SL25 2019.05.07	THK(mm)		SCALE	N
				CHECKED	SL25 2019.05.07	WT(kg)			
								P/N :	