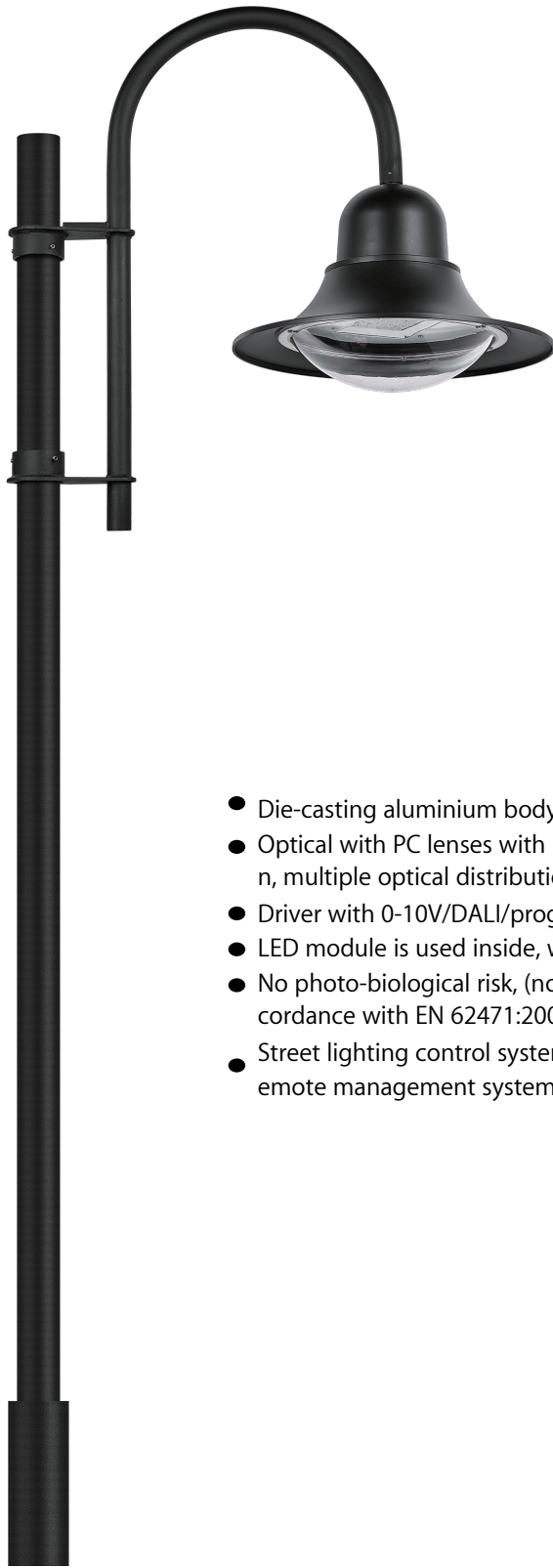
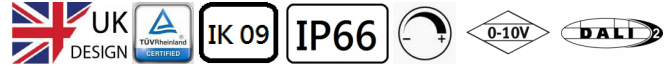


**GOCHA-U**

30W-80W



- Die-casting aluminium body, PC transparent diffuser, Chrome plastic reflector.
- Optical with PC lenses with high visual comfort and uniform lighting distribution, multiple optical distribution options.
- Driver with 0-10V/DALI/programmed options, and with surge protection up to 20KV.
- LED module is used inside, which is easy to install and replace.
- No photo-biological risk, (no risk linked to infrared, blue light and UV radiation) in accordance with EN 62471:2008.
- Street lighting control system for use with smart LEDs. It can be compatible with remote management system.

## Technical Data

Luminaire Type-安裝方式Tipo de luminaria

Pole Mounted: 3-6m燈杆安裝: 3-6m montado en poste: 3-6m

Power Consumption with LED Driver LED燈具包括LED驅動電源功率 Consumo de energía con controlador de LED	30W	40W	60W	80W
Input Voltage / 輸入電壓Voltaje de entrada	100 ~ 240VAC (50~60HZ)			
Control Protocol/控制協議 Protocolo de Control	SW: ON/OFF Switch Driver DA: Dali Dimming Driver RDM : RDM Dimming Driver MS: Motion Sensor		AN: 1-10V Dimming Driver DMX: DMX 512 Dimming Driver ZI: ZIGBEE Wireless Control DS: Daylight Sensor	
Power Factor / 功率因數/Factor de potencia	PF>0.95			
Total Harmonic Distortion/總諧波失/Distorsión armónica total	THD <20%			
Protection Against Surges/防護措施/PROTECCIÓN CONTRA LAS PROMOCIONES:	Line-Earth:6KV Line-Line:4KV			
Light Source Brand-光源品牌-Fuente de luz de marca	CREE			
"Lumen Maintenance LM-80 Reported by TM-21"	L70 > 45,000 Hours			
LED Life-LED壽命-La vida del LED	>50,000 hours			
Color Temperature 色溫 Temperatura y color	2700K / 3000K / 4000K/ 5000K/ 6500K			
Color Rendering Index-顯色指數 Índice de reproducción cromática	>80			
MacAdam Ellipses Binning 麥克亞當橢圓分級 Mac Adam binning ellipse	Standard Deviation Colour Matching 3 SCDM 標準偏差配色 3 SCDM Coincidencia de color estándar Desviación			
Beam Angle光束角 ángulo de haz	• Symmetric Optical Type : T1 • Asymmetric Optical Type : T2 T3 T4			
Luminaire Efficacy燈具效率 La eficacia de la luminaria	100m/w(2700K) 130m/w(6500K)	100m/w(3000K)	120m/w(4000K)	130m/w(5000K)
LED Source Luminous Efficacy LED光源光效 Fuente luminosa LED Eficacia	130m/w(2700K) 160m/w(6500K)	130m/w(3000K)	150m/w(4000K)	160m/w(5000K)
Housing materials 外殼材料 Materiales de la carcasa	Die-cast aluminium and Polycarbonate 壓鑄鋁和聚碳酸酯 Aluminio fundido a presión y policarbonato			
Housing Color 外殼顏色 color de la carcasa	Polyester powders Coating (Matt gray RAL 9006/ or Matt Black RAL 9005). 聚酯粉末塗料(灰色RAL 9006 或 RAL 9005黑色) Revestimiento de polvos de poliéster (Gris Mate RAL 9006/ o Negro Mate RAL 9005).			
Ingress Protection-防護等級 Protección de ingreso	IP66 - (IEC 60529)			
Mech impact protection 機械衝擊保護 Protección contra impactos mecánicos	IK09			
Operating Temperature Range / 工作溫度範圍 Rango de temperatura de funcionamiento	-30 °C / +50 °C			
Operating Humidity -工作濕度 Humedad de funcionamiento	0~90%, non-condensing-不結霜 sin condensación			
Installation Height 安裝高度Altura de montaje	3-6 M			
Dimension 尺寸 Dimensión	Dia 560 x H: 411 mm			
Net Weight /Gross Weight 淨重/毛重 Peso Neto / Peso bruto	6.8 kg / 7.2 kg			
Certificate Standard Complied 符合安規標準 estándar certificado de cumplimiento	LED Luminaries: IEC/EN 60598-1 ; IEC/EN 60598-2-3; IEC TR 62778; IEC62471;IEC/EN 62031 IEC/EN 62493 ;RoHS LED Driver: IEC/EN 61347-1; IEC/EN 61347-2-13; IEC/EN 62384; IEC/EN 61000-3-2; IEC/EN 61000-3-3;IEC/EN61574;EN 55015 ; IEC /EN 62384			

Certification-認證-Certificación



Project	Fixture#	Date
		Firm

## Ordering Information

Choose the option that suits your need and write its corresponding code on the appropriate line to form the product code.

Example product code: [GOCHA-60W](#)

GOCHA-

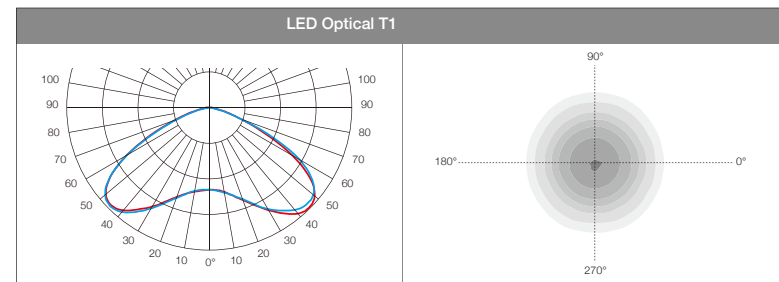
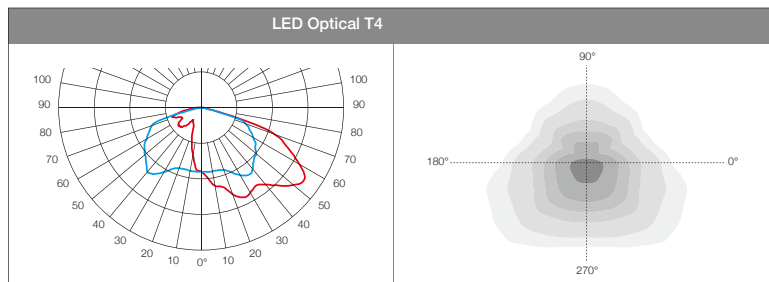
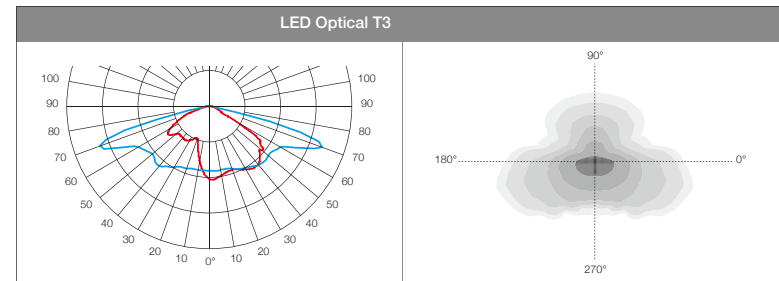
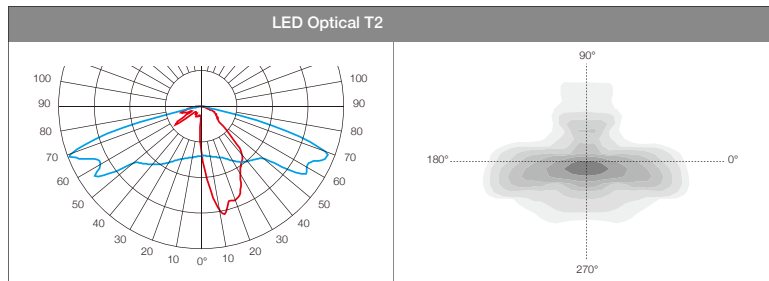
-

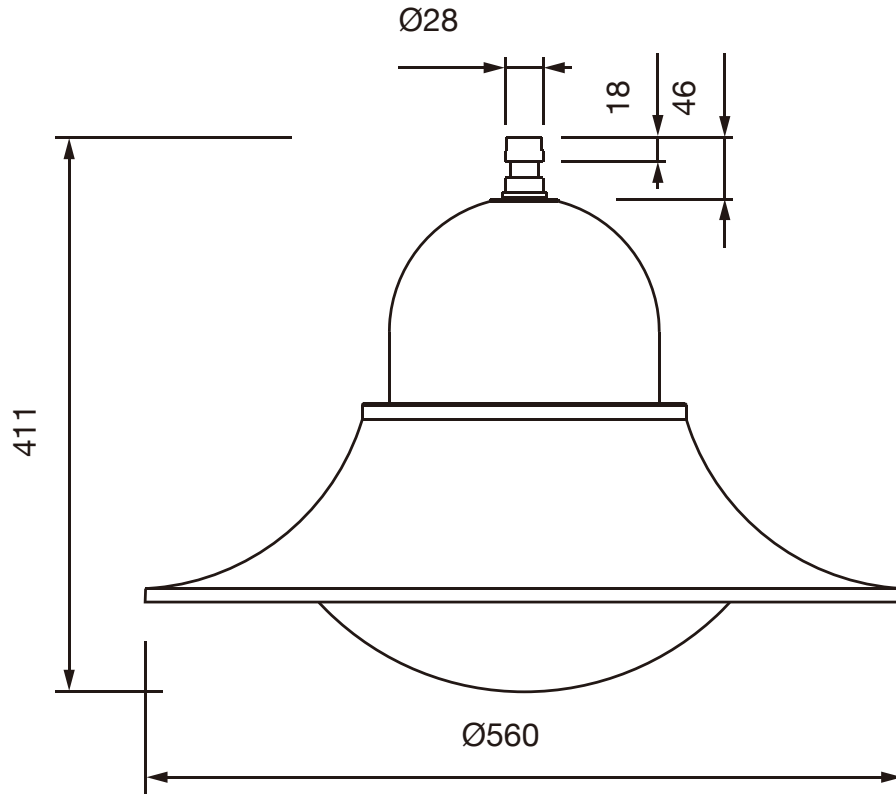
POWER  
CONSUMPTION

POWER CONSUMPTION	
Code	Description
<a href="#">30W</a>	30W
<a href="#">40W</a>	40W
<a href="#">60W</a>	60W
<a href="#">80W</a>	80W





# BEAM ANGLE

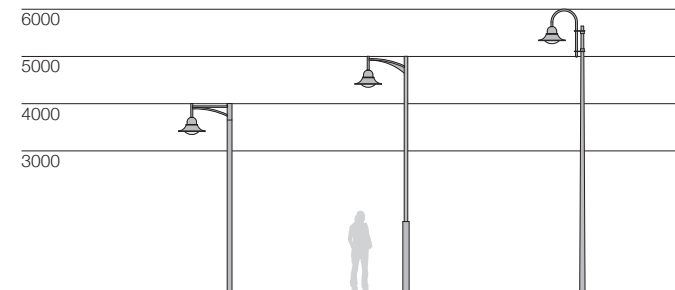




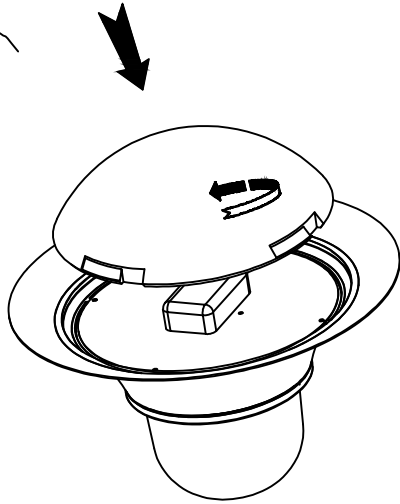
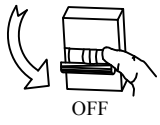
Unit: mm

**Accessories**

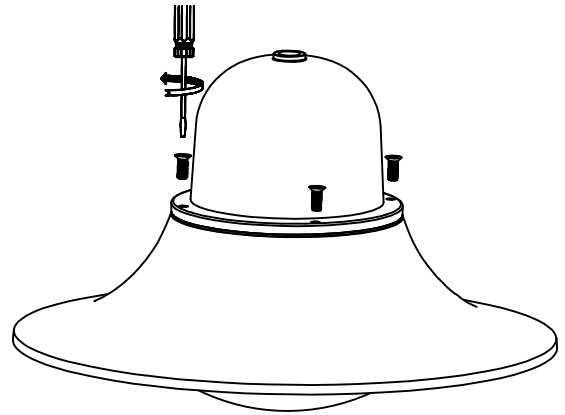
	Code
 IP68 Connector	32000047
 Lifting Joint	250000101



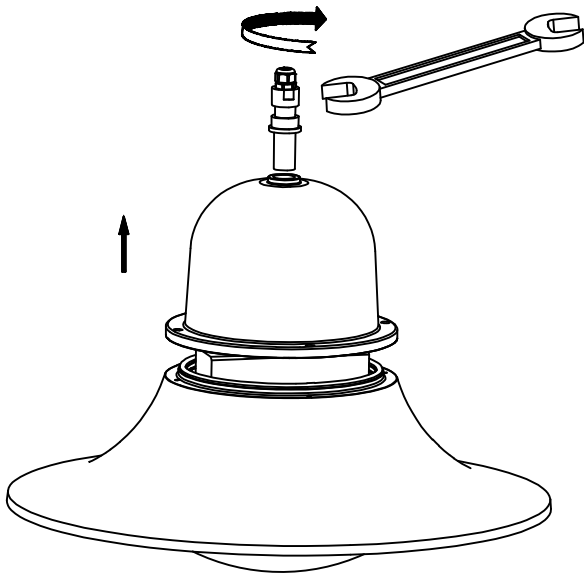
①



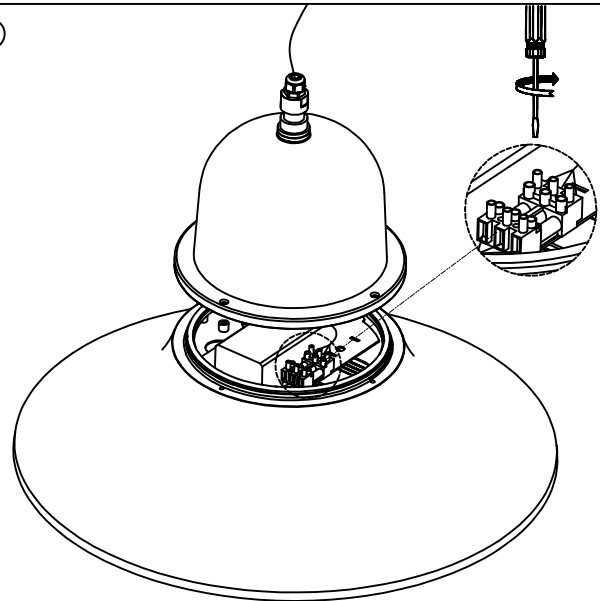
②



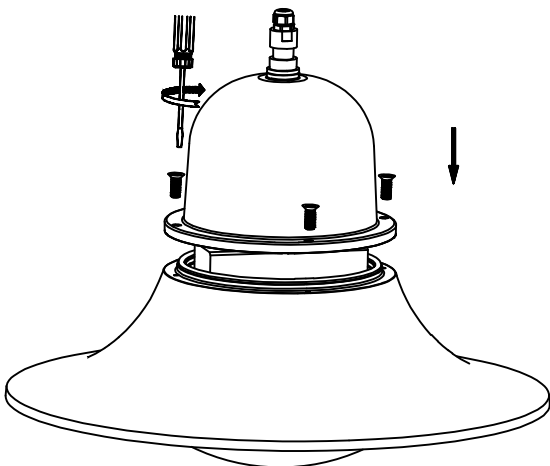
③



④



⑤



⑥

