



## GOLLOP



40W-100W IP66



The aesthetics of the city is inseparable from lighting, Lotus satisfied the trend of urban differentiation with smooth curvature, which effectively prevents the accumulation of dust and leaves, not only creates a neat atmosphere, but also provides excellent heat dissipation. In general, the traditional industrial lighting design is not obvious enough, in contrast, the design of lotus is inspired by the Pine Greeting Guests, and through continuous optimization, the overall display is more modern.

- Professional optic provide an excellent effect, managing glare while providing high Levels of visibility.
- IK08, IP66 Rated
- $\phi 60\text{mm}$  &  $\phi 76\text{mm}$  mount available
- Area, site and pedestrian scale applications

# GOLLOP-T

40W-100W IP66

**DIMON**  
TECHNOLOGY

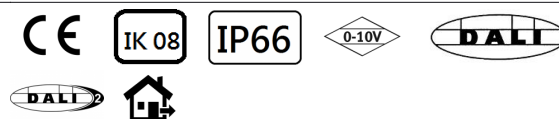
## Technical Data

Luminaire Type- 安裝方式 Tipo de luminaria

Post top  $\phi 60\text{mm}$  &  $\phi 76\text{mm}$   
杆安裝  $\phi 60\text{mm}$  &  $\phi 76\text{mm}$   
Poste superior  $\phi 60\text{mm}$  y  $\phi 76\text{mm}$

Power Consumption with LED Driver LED燈具包括LED驅動電源功率 Consumo de energía con controlador de LED	40W 60W 75W 100W
Input Voltage / 輸入電壓 Voltaje de entrada	220 ~ 240VAC (50~60HZ)
Control Protocol/控制協議 Protocolo de Control	SW: ON/OFF Switch Driver      AN: 1-10V Dimming Driver      DA: Dali Dimming
Power Factor / 功率因數/Factor de potencia	PF>0.95
Total Harmonic Distortion/總諧波失/Distorsión armónica total	THD<18%
Protection Against Surges/防護措施/PROTECCIÓN CONTRA LAS PROMOCIONES:	• Line-Earth:10KV • Line-Line:6KV
Light Source Brand-光源品牌-Fuente de luz de marca	CREE
"Lumen Maintenance LM-80 Reported by TM-21"	L70 > 54,000 Hours
LED Life-LED壽命-La vida del LED	>100,000 hours
Color Temperature 色溫 Temperatura y color	3000K 4000K 5000K
Color Rendering Index-顯色指數 Índice de reproducción cromática	• >70 • >80
MacAdam Ellipses Binning 麥克亞當橢圓分級 Mac Adam binning elipse	Standard Deviation Colour Matching < 3 SDCM 標準偏差配色< 3 SDCM Coincidencia de color estándar Desviación < 3 SDCM
Beam Angle 光束角 ángulo de haz	A1 A2 A3
Luminaire Efficacy燈具效率 La eficacia de la luminaria	• 130 Lm/w(3000K) @CRI >70 ; 130 Lm/w(4000K) @CRI >70 135 Lm/w(5000K) @CRI >70 • 115 Lm/w(3000K) @CRI >80 ; 115 Lm/w(4000K) @CRI >80 120 Lm/w(5000K) @CRI >80
LED Source Luminous Efficacy LED光源光效 Fuente luminosa LED Eficacia	• 160 Lm/w(3000K) @CRI >70 ; 160 Lm/w(4000K) @CRI >70; 170 Lm/w(5000K) @CRI >70 ; • 145 Lm/w(3000K) @CRI >80 ; 145 Lm/w(4000K) @CRI >80 ; 155 Lm/w(5000K) @CRI >80
Housing materials 外殼材料 Materiales de la carcasa	Die-cast aluminium and Tempered glass 壓鑄鋁和鋼化玻璃 Aluminio fundido a presión y Vidrio templado
Housing Color 外殼顏色 color de la carcasa	Polyester powders Coating (RAL 9005 Black) 聚酯粉末塗料(RAL 9005 啞光黑色) Recubrimiento de polvos de poliéster (RAL 9005 negro)
Ingress Protection-防護等級 Protección de ingreso	IP66
Mech impact protection 機械衝擊保護 Protección contra impactos mecánicos	IK08
Operating Temperature Range / 工作溫度範圍 Rango de temperatura de funcionamiento	-30 °C / +50 °C
Operating Humidity -工作濕度 Humedad de funcionamiento	0~90%, non-condensing-不結霜 sin condensación
Dimension 尺寸 Dimensión	450x450x526mm
Net Weight /Gross Weight 淨重/毛重 Peso Neto / Peso bruto	• 7.58±0.2kg & 9.14±0.2kg @ 40W      7.88±0.2kg & 9.44±0.2kg @ 60W • 7.94±0.2kg & 9.50±0.2kg @ 75W      7.97±0.2kg & 9.53±0.2kg @ 100W
Certificate Standard Complied 符合安規標準 estándar certificado de cumplimiento	LED Luminaries: IEC/EN 60598-1 ; IEC/EN 60598-2-3; IEC TR 62778; IEC 62031 LED Driver: IEC 61347-1; IEC 61347-2-13; EN 55015; IEC 61000-3-2; IEC 61000-3-3; IEC 61547; EN 62384

Certification-認證-Certificación



Project	Fixture#	Date
		Firm

## Ordering Information

Choose the option that suits your need and write its corresponding code on the appropriate line to form the product code.

Example product code: [GOLLOP-100W](#)

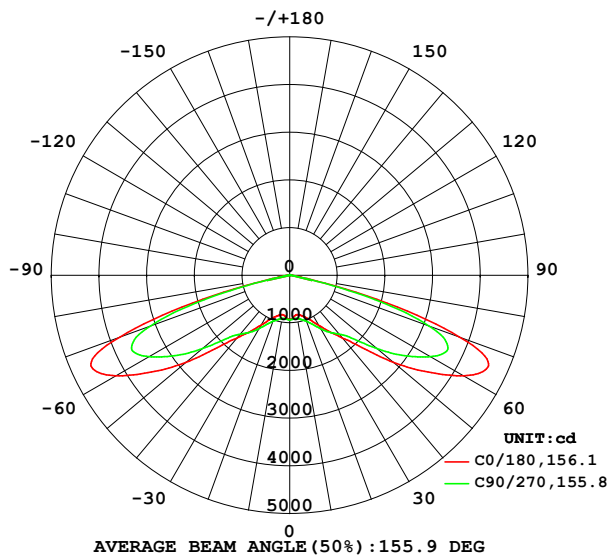
GOLLOP - -

POWER  
CONSUMPTION

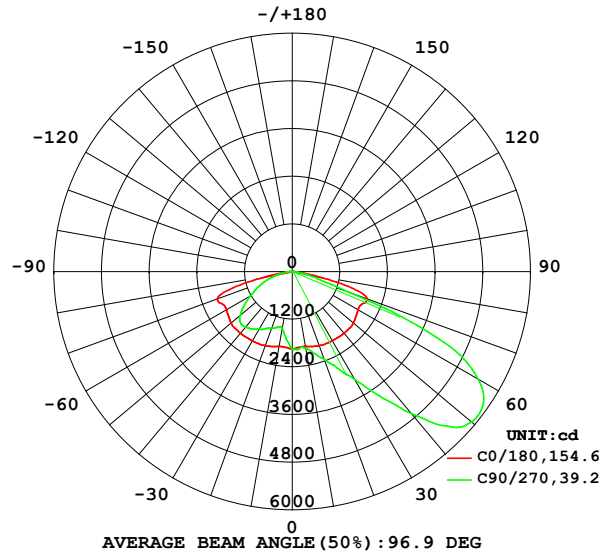
POWER CONSUMPTION	
Code	Description
40W	40W
60W	60W
75W	75W
100W	100W



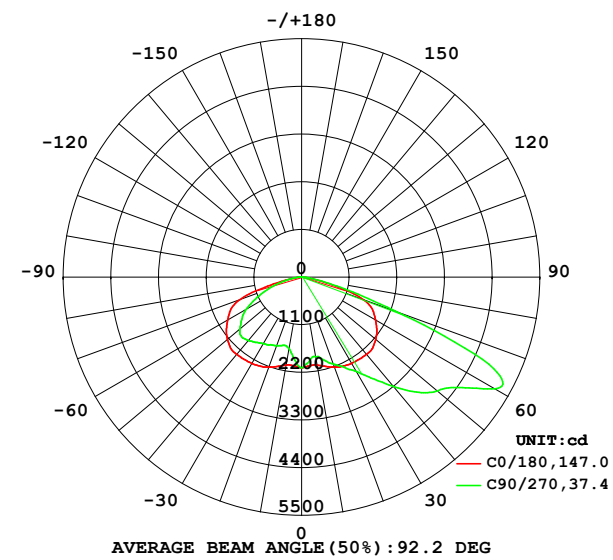
# Beam Angle



A1



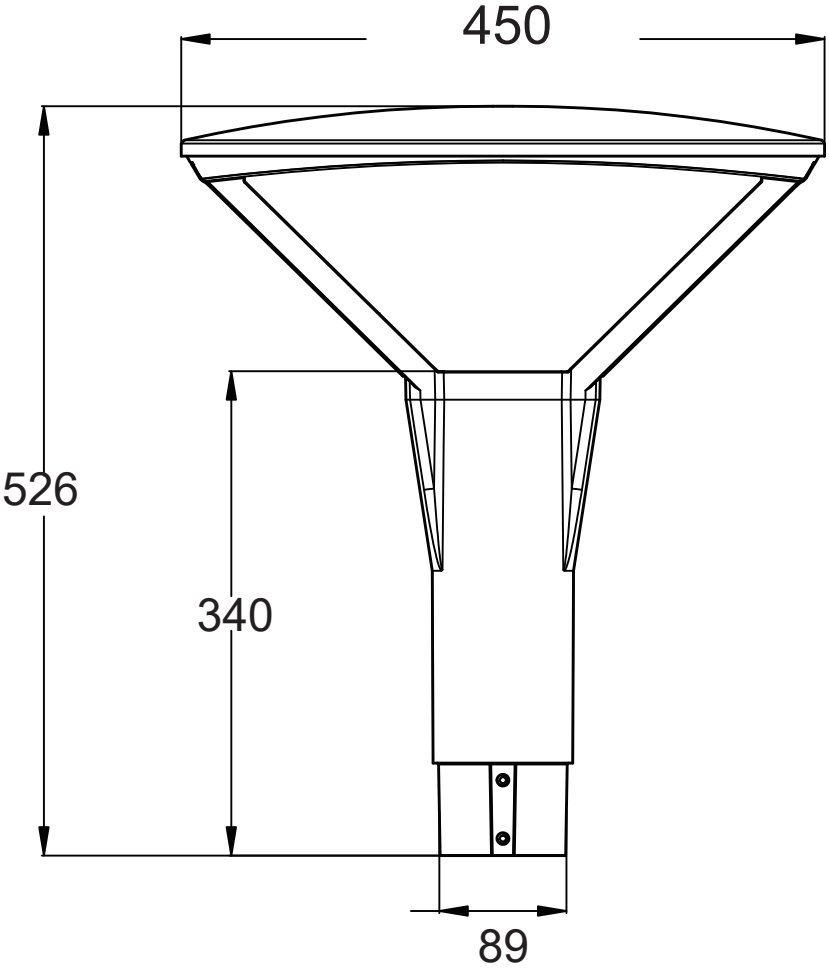
A2



A3

Unit: mm

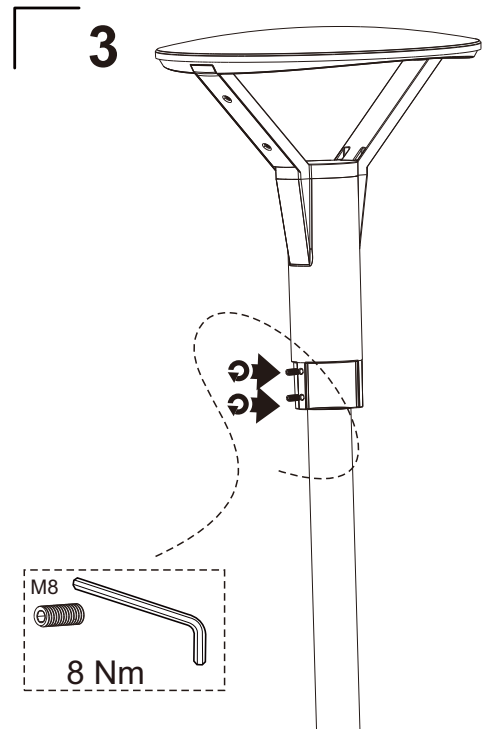
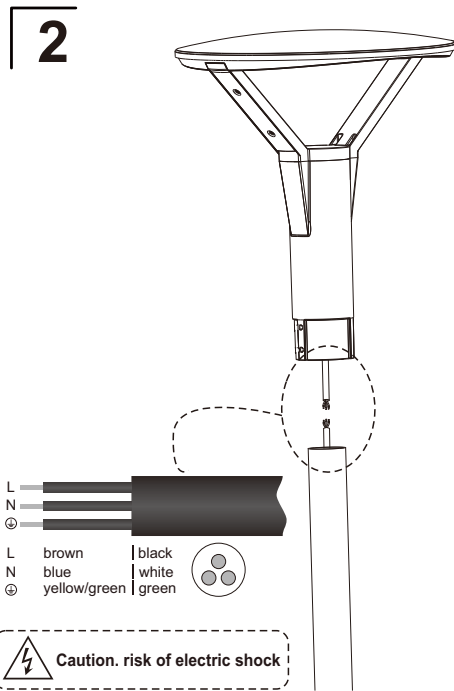
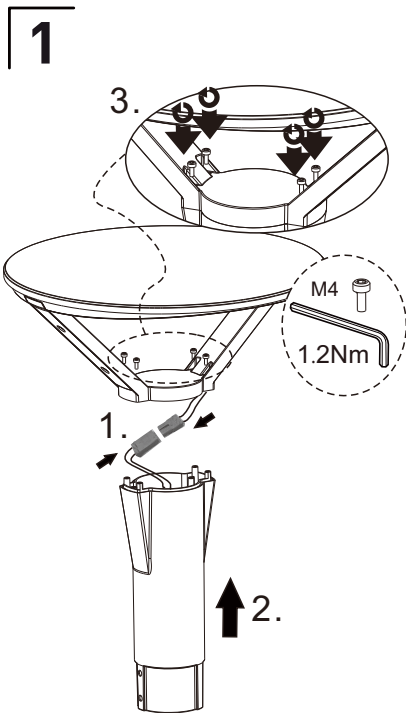
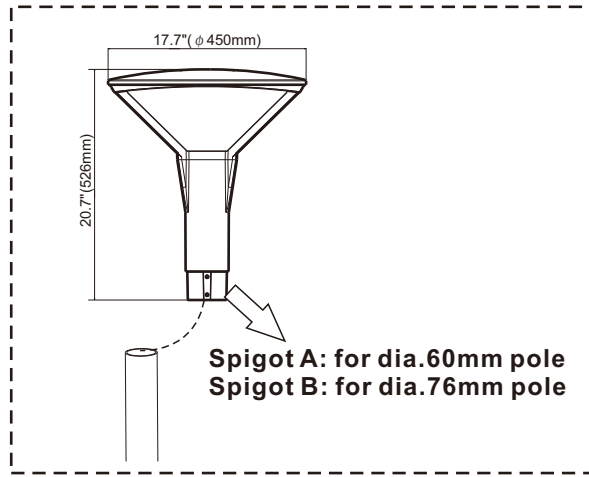
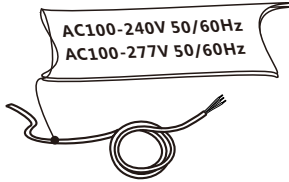
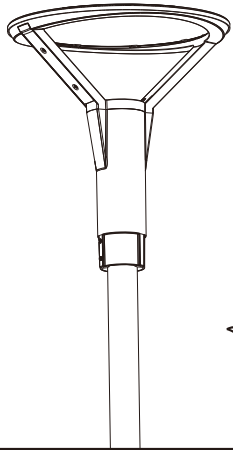
Technical Drawing



Unit: mm

# LED Post Top

## Instruction Manual



Product Specifications	40W	60W	75W	100W
Size (L x W x H)	17.71" x 17.71" x 20.71"(450 x 450 x 526mm)			
Net Weight (Driver included)	15.54±0.44Lbs (7.05±0.2kg)	15.69±0.44Lbs (7.12±0.2kg)	15.91±0.44Lbs (7.22±0.2kg)	16.4±0.44Lbs (7.42±0.2kg)
Input Voltage	100-240VAC 50/60Hz / 100-277VAC 50/60Hz			
Working Temperature	-22°F to +122°F (-30°C to +50°C)			
Storing Temperature	-40°C to +70°C (-40°F to +158°F)			

•if the external flexible cable or cord of this luminaire is damaged, it shall be exclusively replaced by the manufacturer or his service agent or a similar qualified person in order to avoid a hazard.