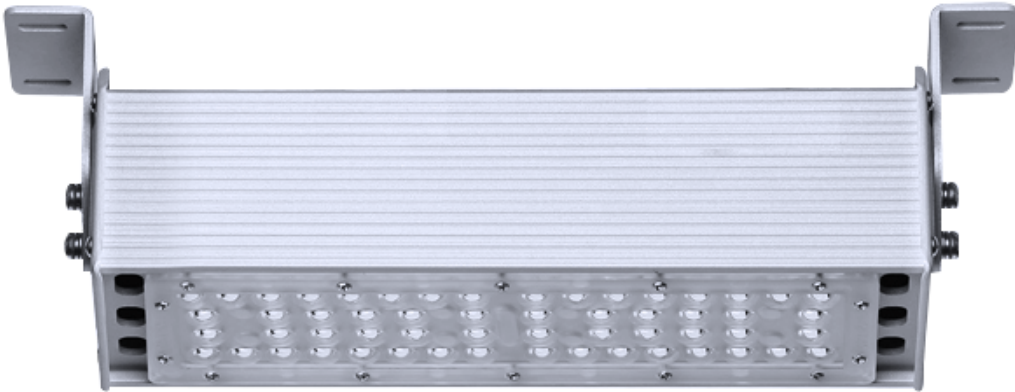


HABEE-X

240W Max IP65



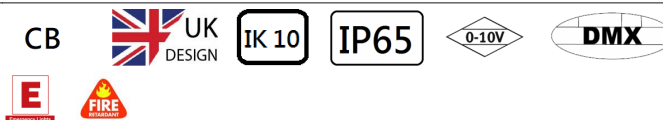
LED linear high bay is perfect lighting for aisles in warehouse. Symmetric optic lens adapts to narrow aisle very well between high shelves. The rectangular light pattern perfectly matches with aisles, which can effectively reduce light loss. And it also can provide intelligent lighting solutions by adding DALI, Zigbee, and emergency etc.

- Modular design and excellent performance
- IP65, IK10.
- Long and narrow pattern not only contribute to lighting lux level but also the best uniformity.
- Sizes of beam angle, meet most of the project requirement.
- Lens can be replaced easily, better for stock.

Technical Data

Luminaire Type-安裝方式/Tipo de luminaria	Wire Suspension, Ceiling Mounting , 懸掛, 吊頂安裝 Suspensión de alambre, montaje en techo
Power Consumption with LED Driver LED燈具包括LED驅動電源功率 Consumo de energía con controlador de LED	30W, 50W, 80W, 100W, 120W, 150W, 180W, 200W, 240W
Input Voltage / 輸入電壓 Voltaje de entrada	• 220-240VAC/50-60HZ
Control Protocol/控制協議/Protocolo de Control	Integrated-type LED Driver--Refer to LED driver specification 請參閱LED驅動器規格 Consulte la especificación de controlador de LED 1. ON/OFF Switch 220-240VAC/50-60HZ 3. 0 -10V Dimming Driver 220-240VAC/50-60HZ 4. Dali Dimming Driver (0-100%)220-240VAC/50-60HZ 5. DMX Driver (0-100%)220-240VAC/50-60HZ 6. Remote Type Emergency Battery Kit with battery Back up 2 hours or 3hours
Power Factor / 功率因數/Factor de potencia	PF>0.90 or PF:0.95 Refer to LED Driver data sheet
Total Harmonic Distortion/總諧波失/Distorsión armónica total	THD<20% Refer to LED Driver data sheet
Protection Against Surgers/防護措施/PROTECCIÓN CONTRA LAS PROMOCIONES:	2kV line-line, 4kV line-earth
Light Source Brand-光源品牌-Fuente de luz de marca	LUMILEDS LED
"Lumen Maintenance LM-80 Reported by TM-21"	L70 > 55,000 Hours
LED Life-LED壽命-La vida del LED	>50,000 hours
Color Temperature 色溫 Temperatura y color	3000K 4000K 5000K
Color Rendering Index-顯色指數 Índice de reproducción cromática	• CRI>70 • CRI>80
MacAdam Ellipses Binning 麥克亞當橢圓分級 Mac Adam binning elipse	Standard Deviation Colour Matching < 3 SDCM 標準偏差配色< 3 SDCM Coincidencia de color estándar Desviación < 3 SDCM
Beam Angle光束角ángulo de haz	Symetric Beam Angle : 60° 90° 60° x 90°
Luminaire Efficacy燈具效率 La eficacia de la luminaria	• CRI: 70 140Lm/w(3000K) 150 Lm/w(4000K) 165 Lm/w(5000K) • CRI: 80 130Lm/w(3000K) 140 Lm/w(4000K) 155 Lm/w(5000K)
LED Source Luminous Efficacy LED光源光效 Fuente luminosa LED Eficacia	160 Lm/w(3000K) 170 Lm/w(4000K) 180 Lm/w(5000K)
Housing materials外殼材料 Materiales de la carcasa	Aluminum Alloy and Polycarbonate Optical Lens 鋁合金和PC光學鏡片 Lente óptica de aleación de aluminio y policarbonato
Housing Color外殼顏色/color de la carcasa	Sliver Grey 銀灰色 Gris plateado
Ingress Protection-防護等級 Protección de ingreso	IP65
Mech impact protection機械衝擊保護 Protección contra impactos mecánico	IK10
Operating Temperature Range / 工作溫度範圍 Rango de temperatura de funcionamiento	-30 °C / +50 °C
Storage Temperature/儲藏溫度 Temperatura de almacenamiento	-40 °C / +70 °C
Operating Humidity -工作濕度/Humedad de funcionamiento	0~90%, non-condensing-不結霜sin condensación
Dimension/尺寸/Dimensión	Refer to Drawing
Net Weight 淨重/Peso Neto	1.9 kg @ 30W & 50W 3.3 kg @ 80W & 100W & 20W 4.5KG @ 150w 5.5KG @ 180W& 200W 6.9KG @ 240W
Certificate Standard Complied 符合安規標準 estándar certificado de cumplimiento	LED Luminaries: IEC 60598-1:2017 ; IEC 60598-2-1:1987; IEC TR 62778:2014 (RG1); IEC 62031:2014(LED Modul); IEC 61058-2000 (Sensor); ROHS LED Driver: IEC/EN 61347-1; IEC/EN 61347-2-13; IEC/EN 61347-2-13; EN 55015; EN 61000-3-2;EN 61000-3-3; EN 61547;EN 62384

Certification-認證-Certificación



Project	Fixture#	Date
		Firm



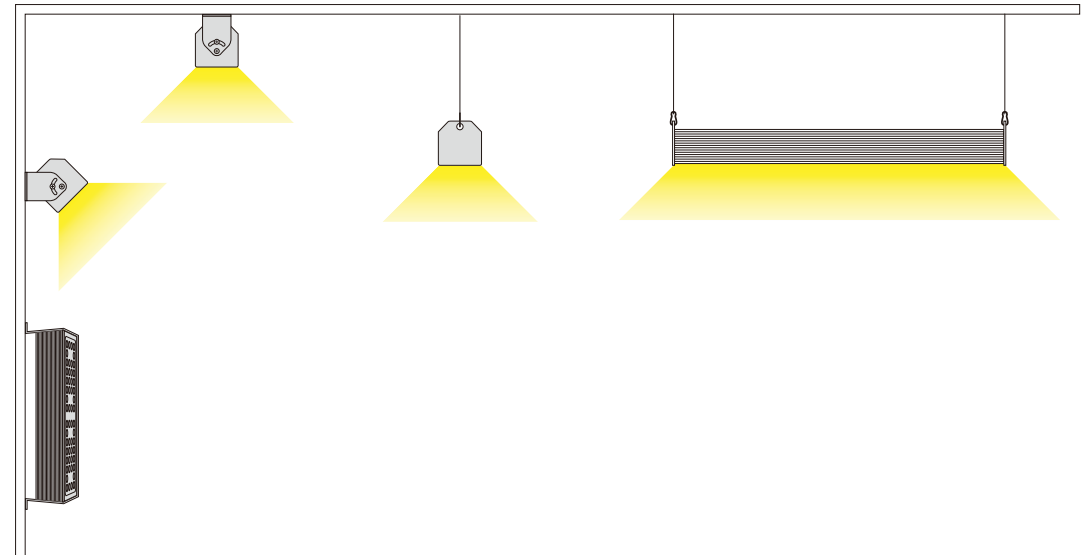
Ordering Information

Choose the option that suits your need and write its corresponding code on the appropriate line to form the product code.

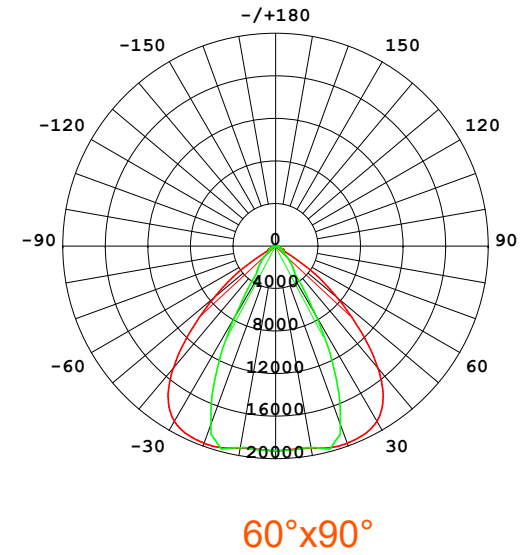
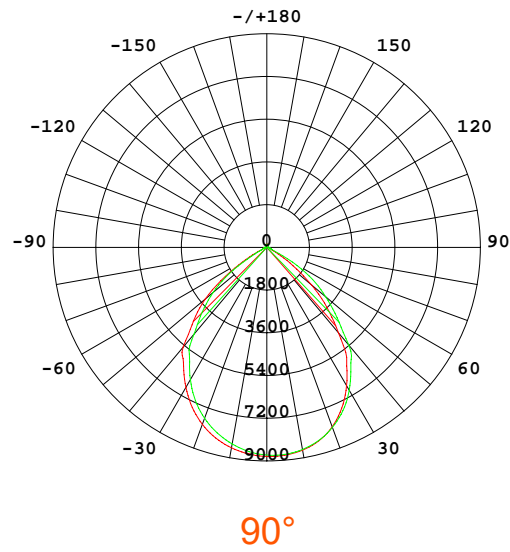
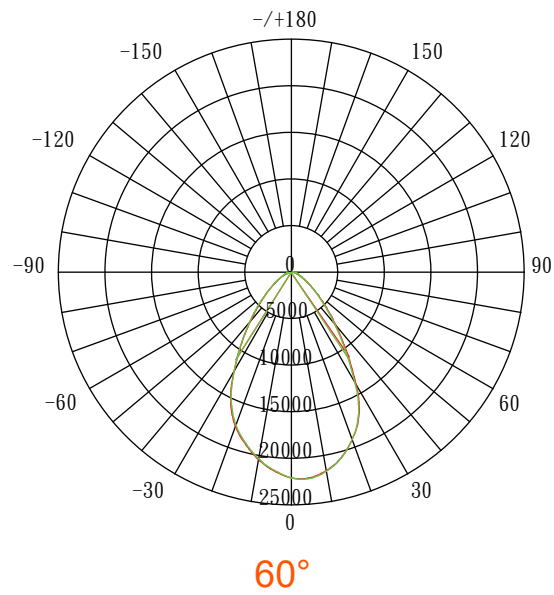
Example product code: [HABEE-150W](#)

HABEE- - _____
 POWER
 CONSUMPTION

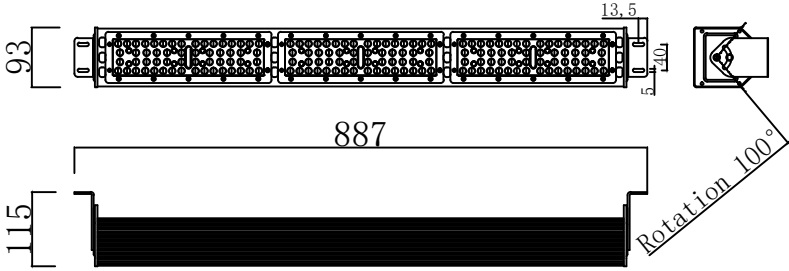
POWER CONSUMPTION	
Code	Description
30W	30W
50W	50W
80W	80W
100W	100W
120W	120W
150W	150W
180W	180W
200W	200W
240W	240W



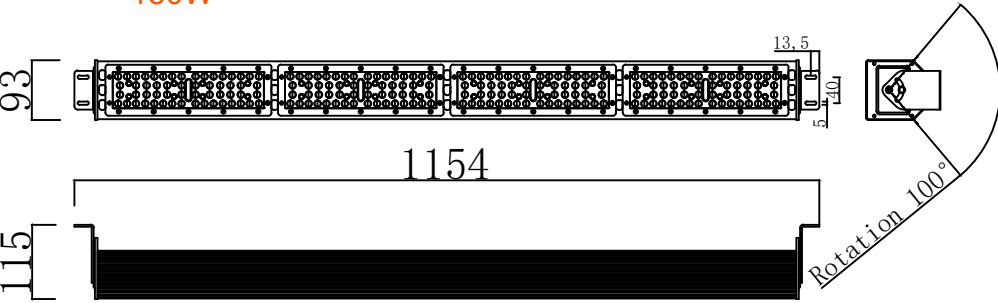
Beam Angle



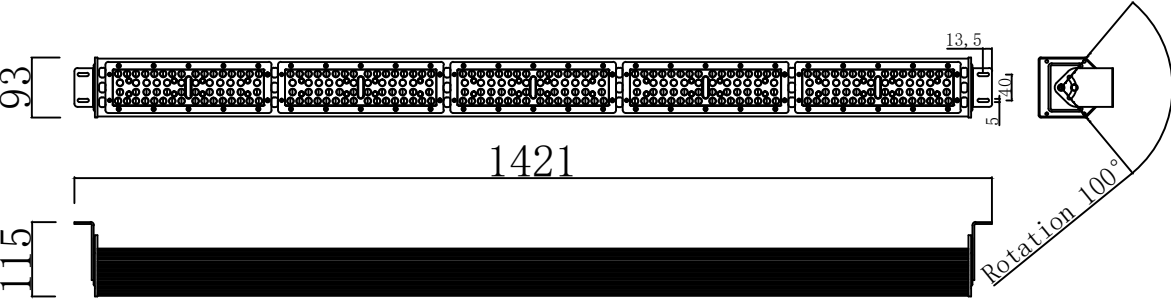
Technical Drawing



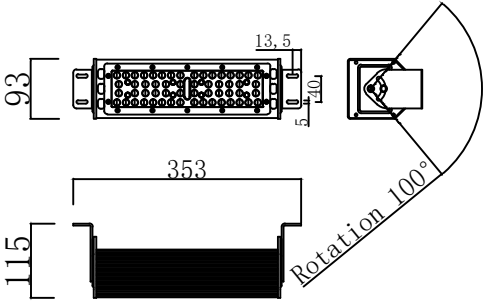
150W



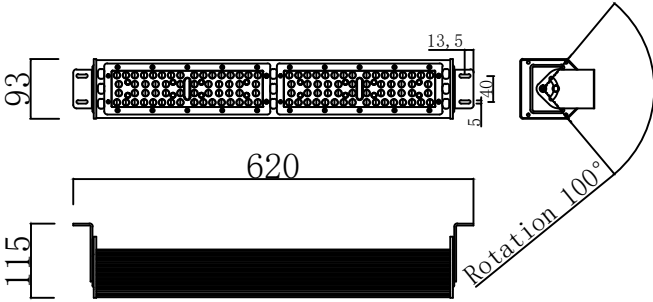
180W / 200W



240W



30W / 50W



80W / 100W / 120W

Unit: mm