

HANNAH@HANDRAIL 48



Stairs Application with Tempered Glass



- Stairs Application
- The metal guardrail welded on the ground is made of 316 stainless steel
- 316 stainless steel (round hollow section) hollow handrail with a diameter of Dia 38x2
- mm 8mm Clear Laminated Tempered Glass
- stainless steel column base, Dia 90x3 mm stainless steel plate base,
- fixed on the concrete with M6 HILTI Anchor Bolt

HANNAH@HANDRAIL 48

Stairs Application with Tempered Glass

Technical Data

Major Material:

- Stainless Steel Grade S316L with ASTM A511 and Plate with ASTM A240
- 8mm THK Tempered Glass
- Welding comply BS EN 1011-1; BS EN 1011-2; BS EN ISO 15614
- Stainless Steel Fasteners A4-70 comply with BS EN ISO 3506-1.
- M6.S.S A4-70 Bolt & Nut

Tempered Glass color

- Clear
- Dark Grey,
- Euro grey;
- Ocean blue,
- Ford blue,
- Dark blue

Finishes

Hairline Finish

Certification



Project	Fixture#	Date
		Firm

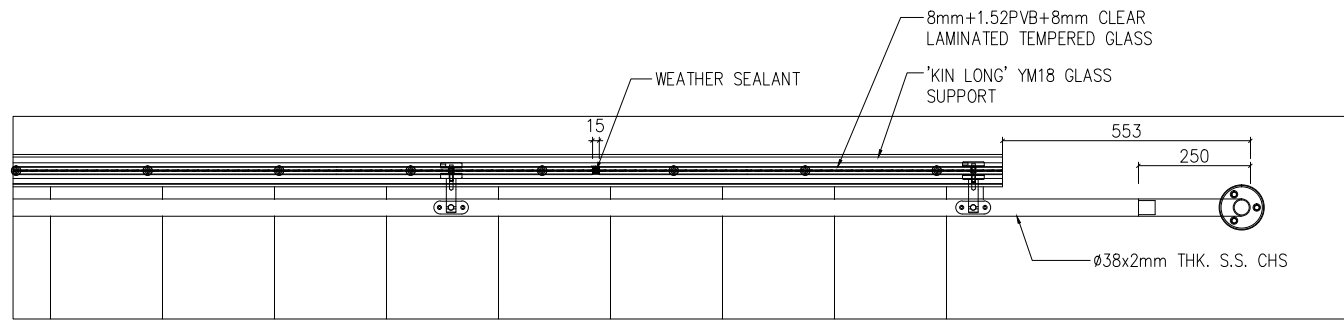


Ordering Information

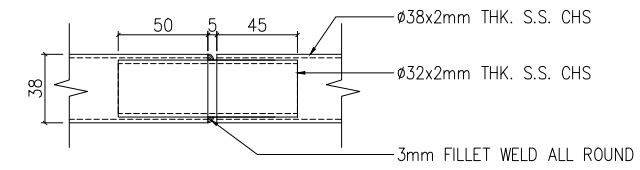
Choose the option that suits your need and write its corresponding code on the appropriate line to form the product code.

Example product code:

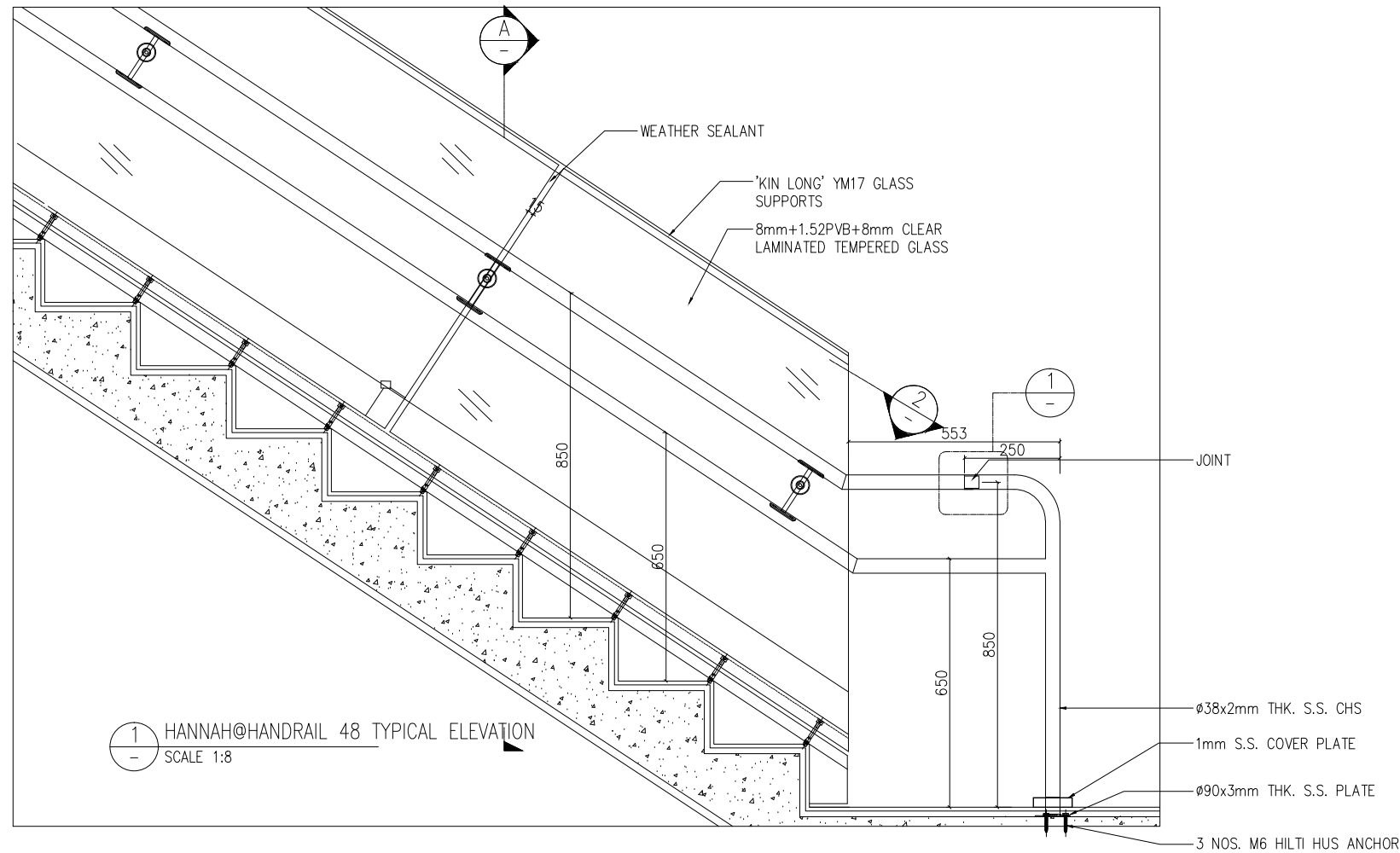
HANNAH@HANDRAIL-48 -



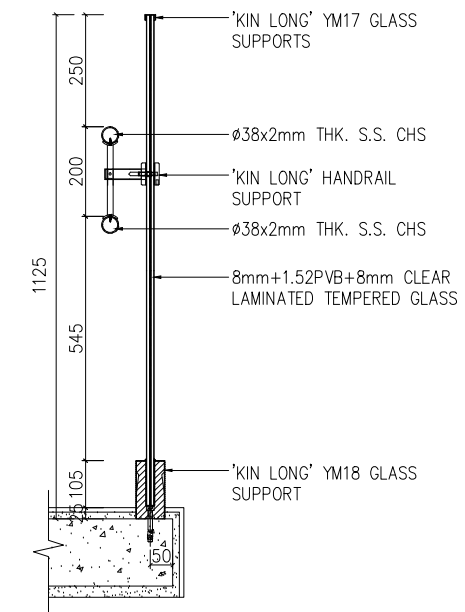
2 HANNAH@HANDRAIL 48 TYPICAL PLAN
SCALE 1:8



1 DETAIL
SCALE 1:2



1 HANNAH@HANDRAIL 48 TYPICAL ELEVATION
SCALE 1:8



A SECTION
SCALE 1:8

Drawing Status :

Ref NO.:

Client

Management :

Supplier :

DIMON
Technology

DIMON Technology Ltd.

Tel: 00852-3916 5876
Fax: 00852-21203398
Http://www.dimontechnology.com
E-mail:gary@dimontechnology.com

Project:

Job Title:
HANNAH@HANDRAIL 48

Drawing Name:
RAILING
ELEVATION, PLAN AND DETAILS

Drawing NO.: RL-004

Drawing Scale: AS SHOW

Drawing Date: 2021/01/31

Drawing: Cai

Collate: Joyi

Auditing: Gray Hui

Drawing Version: 1