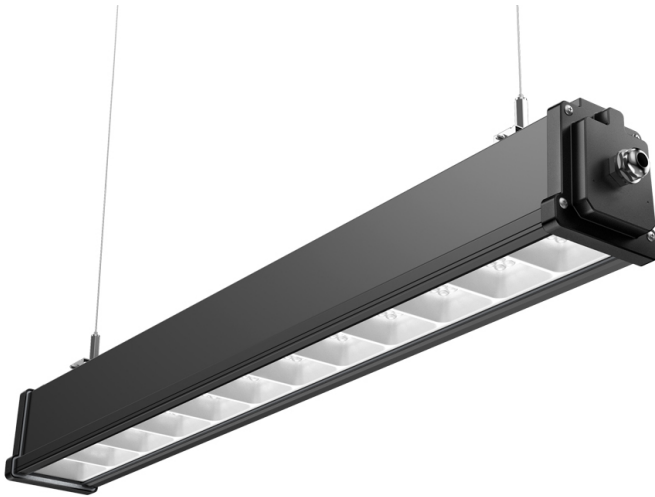


HATRY



200W Max IP66



LED Linear High Bay.

Laurel looks simple and elegant. Its housing is made of a combination of high thermal conductivity aluminum extruded radiator and die-cast aluminum endcover that feels somehow metallic. Module lens, universal and interchangeable. It can realize the interchangeability of light distribution from different anglesband meet the needs of various applications.

- Low UGR with soft vision environment
- Four sizes
- High efficacy
- Various intelligent controls
- Multiple mounting options

Technical Data

Luminaire Type-安裝方式/Tipo de luminaria	Wire Suspension, Ceiling Mounting, 懸掛, 吊頂安裝 Suspensión de alambre, montaje en techo
Power Consumption with LED Driver LED燈具包括LED驅動電源功率 Consumo de energía con controlador de LED	50W 100W 150W 200W
Input Voltage / 輸入電壓 Voltaje de entrada	220-240VAC/50-60HZ
Control Protocol/控制協議/Protocolo de Control	Integrated-type LED Driver--Refer to LED driver specification 請參閱LED驅動器規格 Consulte la especificación de controlador de LED 1. ON/OFF Switch AC100-240V 50/60HZ 2. 0-10V Dimming Driver AC220-240V 50/60HZ 3. Dali Dimming Driver AC220-240V 50/60HZ 4. Remote Type Emergency Battery Kit with battery Back up 2 hours or 3hours 5. Motion Sensor 6. PIR Sensor
Power Factor / 功率因數/Factor de potencia	PF>0.90
Total Harmonic Distortion/總諧波失/Distorsión armónica total	THD<18%
Protection Against Surges/防護措施 PROTECCIÓN CONTRA LAS PROMOCIONES:	4kV line-line, 6kV line-earth for 50W 5kV line-line, 10kV line-earth for 100W-200W
Light Source Brand-光源品牌-Fuente de luz de marca	LUMILEDS LED
"Lumen Maintenance LM-80 Reported by TM-21"	L70 > 54,000 Hours
LED Life-LED壽命-La vida del LED	>100,000 hours
Color Temperature 色溫 Temperatura y color	3000K) 4000K 5000K
Color Rendering Index-顯色指數 Índice de reproducción cromática	• CRI>70 • CRI>80
MacAdam Ellipses Binning 麥克亞當橢圓分級 Mac Adam binning elipse	Standard Deviation Colour Matching < 3 SDCM 標準偏差配色< 3 SDCM Coincidencia de color estándar Desviación < 3 SDCM
Beam Angle光束角ángulo de haz	Symmetric Angle: SA03 SA04 SA05 SA06 SA10 Aymmetric Angle: AA10
Luminaire Efficacy燈具效率(±10%) La eficacia de la luminaria	• CRI: 70 140Lm/w(3000K) 150 Lm/w(4000K) 165 Lm/w(5000K) • CRI: 80 130Lm/w(3000K) 140 Lm/w(4000K) 155 Lm/w(5000K)
LED Source Luminous Efficacy LED光源光效 Fuente luminosa LED Eficacia Efficacy (±10%)	160 Lm/w(3000K) 170 Lm/w(4000K) 170 Lm/w(5000K)
Housing materials外殼材料 Materiales de la carcasa	Aluminum Alloy and Polycarbonate Optical Lens and Tempered Glass Cover 鋁合金和PC光學鏡片和鋼化玻璃燈罩 Lentes ópticas de aleación de aluminio y policarbonato y tapas de vidrio templado
Housing Color外殼顏色/color de la carcasa	Matte Black 啞光黑色 Negro mate
Ingress Protection-防護等級 Protección de ingreso	IP66
Mech impact protection機械衝擊保護 Protección contra impactos mecánico	IK08
Operating Temperature Range / 工作溫度範圍 Rango de temperatura de funcionamiento	-30 °C / +50 °C
Operating Humidity -工作濕度/Humedad de funcionamiento	0~100%, non-condensing-不結霜sin condensación
Dimension/尺寸/Dimensión	Refer to Drawing
Net Weight 淨重 Peso Neto	2.3±0.3kg @ 50W 4.1±0.3kg @ 100W; 5.8±0.3kg @ 150W; 6.4±0.3kg @ 200W
Certificate Standard Complied 符合安規標準 estándar certificado de cumplimiento	LED Luminaries: IEC 60598-1:2017 ; IEC 60598-2-1:1987; IEC TR 62778:2014 (RG1); IEC 62031:2014(LED Modul); IEC 61058-2000 (Sensor); ROHS LED Driver: IEC/EN 61347-1; IEC/EN 61347-2-13; IEC/EN 61347-2-13; EN 55015; EN 61000-3-2;EN 61000-3-3; EN 61547;EN 62384
Certification-認證-Certificación	       

Project	Fixture#	Date
		Firm

Ordering Information

Choose the option that suits your need and write its corresponding code on the appropriate line to form the product code.

Example product code: [HATRY-100W](#)

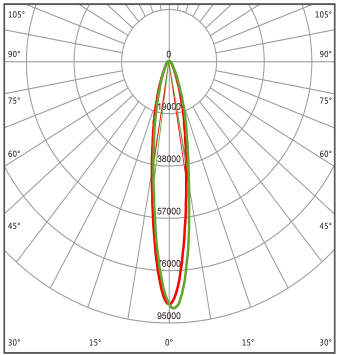
HATRY - -

POWER
CONSUMPTION

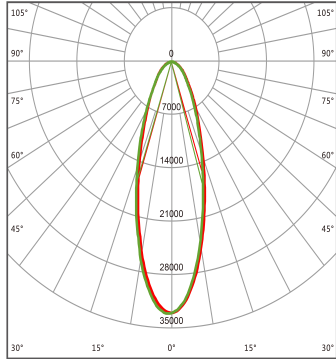
POWER CONSUMPTION	
Code	Description
50W	50W
100W	100W
150W	150W
200W	200W



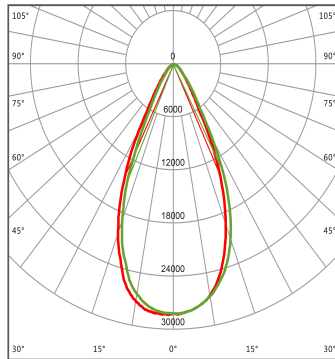
BEAM ANGLE



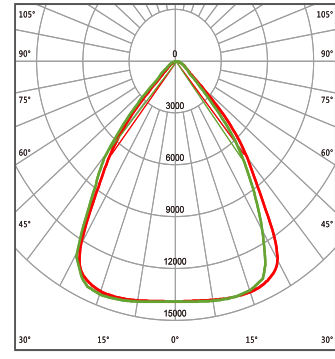
SA03



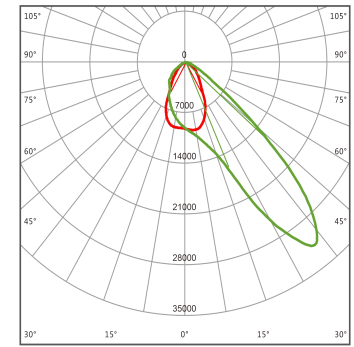
SA04



SA05



SA06



AA10

Mounting Options



Suspension Mounting



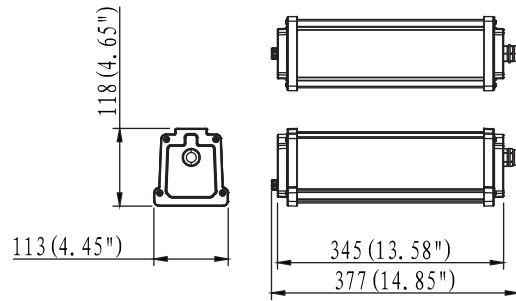
Ceiling Mounting



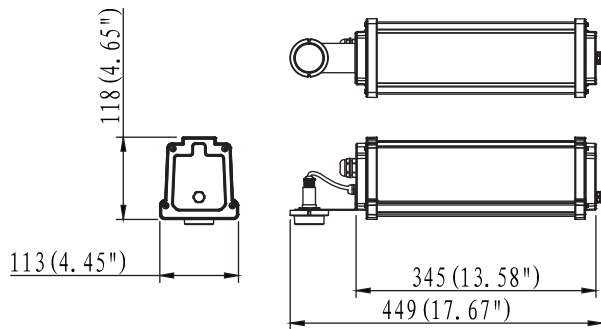
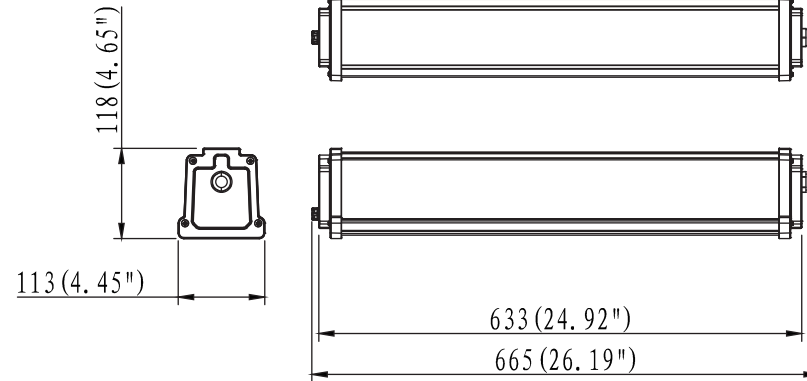
Adjustable Angle Mounting

Technical Drawing

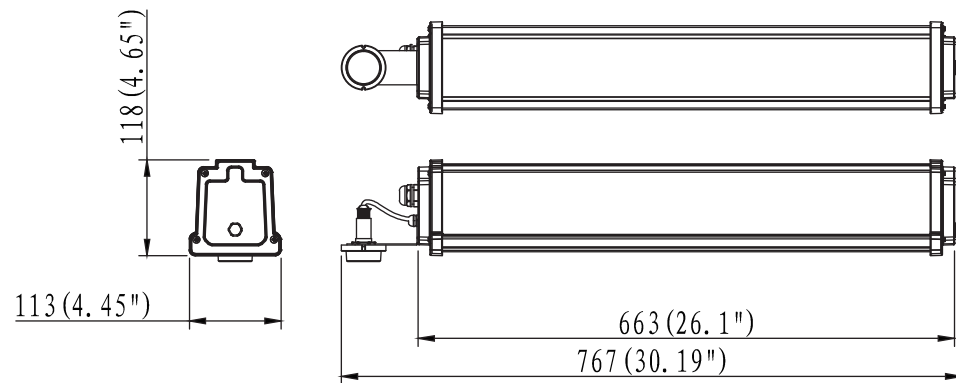
50W



100W



Motion Sensor Type



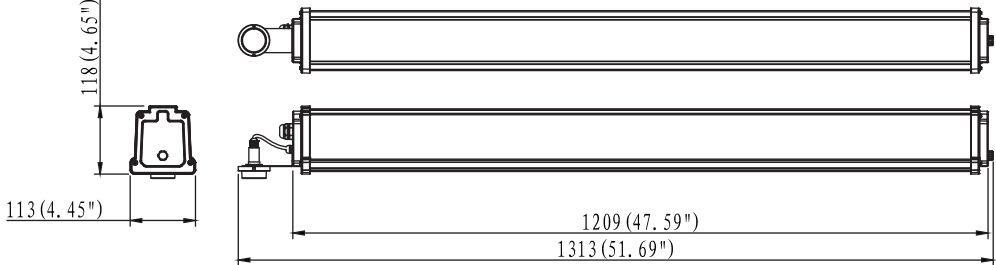
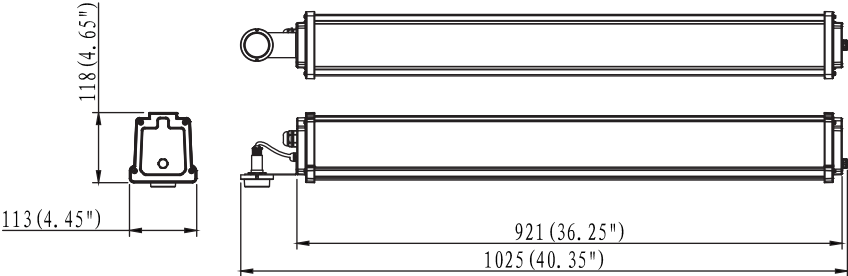
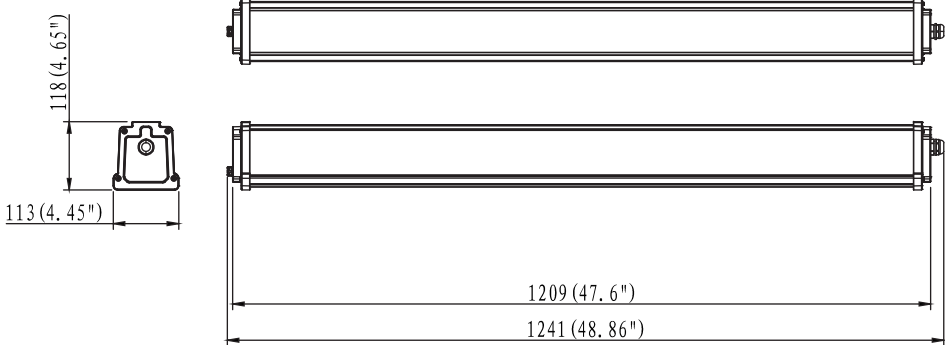
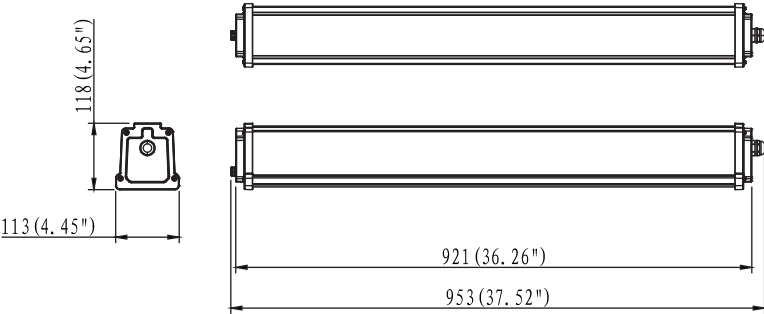
Motion Sensor Type

Unit: mm

Technical Drawing

150W

200W



Motion Sensor Type

Motion Sensor Type

Unit: mm

Accessories



Suspension safety Rope
Dia 1.5mm, 2M length Safety Rope
for the suspension mounting.

Code: HY-L11-01



Ceiling Mount Bracket
SUS 304 stainless steel

Code: HY-L11-01



Plug and Play Motion Sensor
IP65 Rating 12VDC Input Sensor.

Code: HYANT-5-3 (Microwave Sensor)
Code: HYANT-6-3 (PIR Sensor)

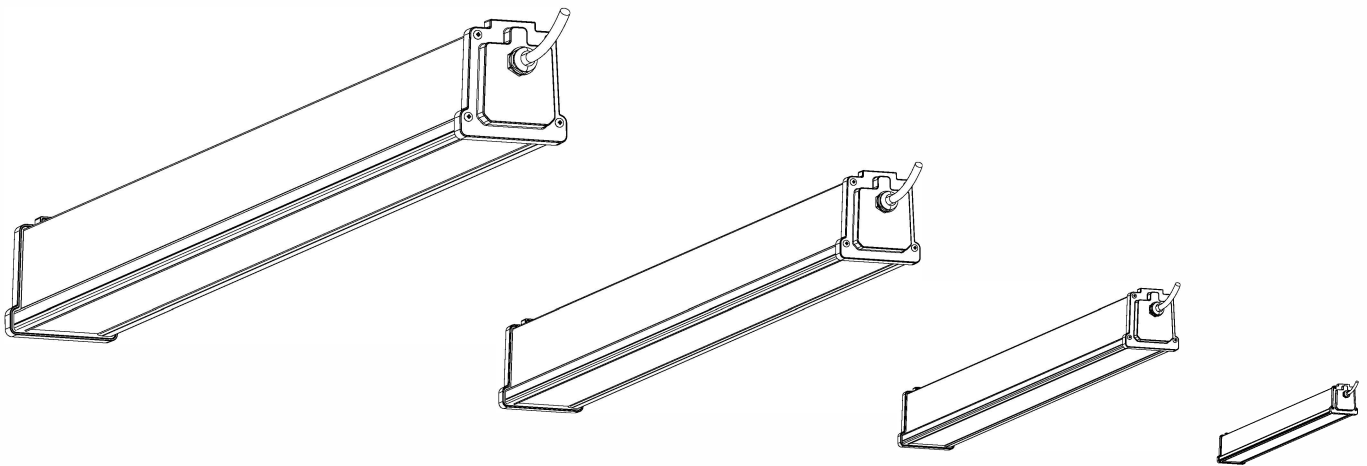


Ceiling Mount Bracket
SPCC stainless steel

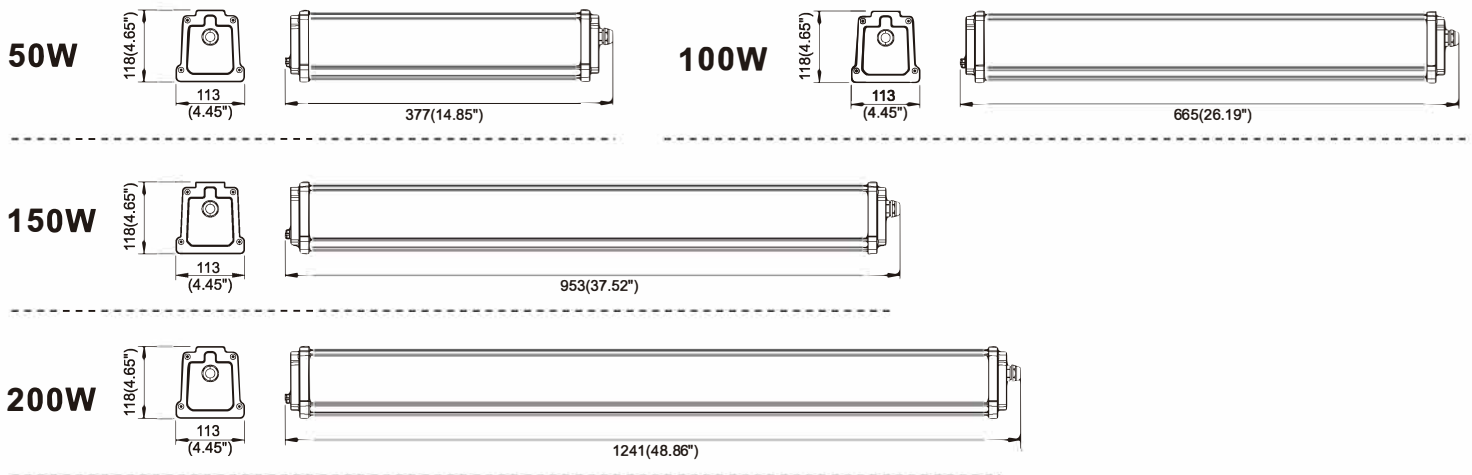
Code: HY-L16-01

LED Linear High Bay

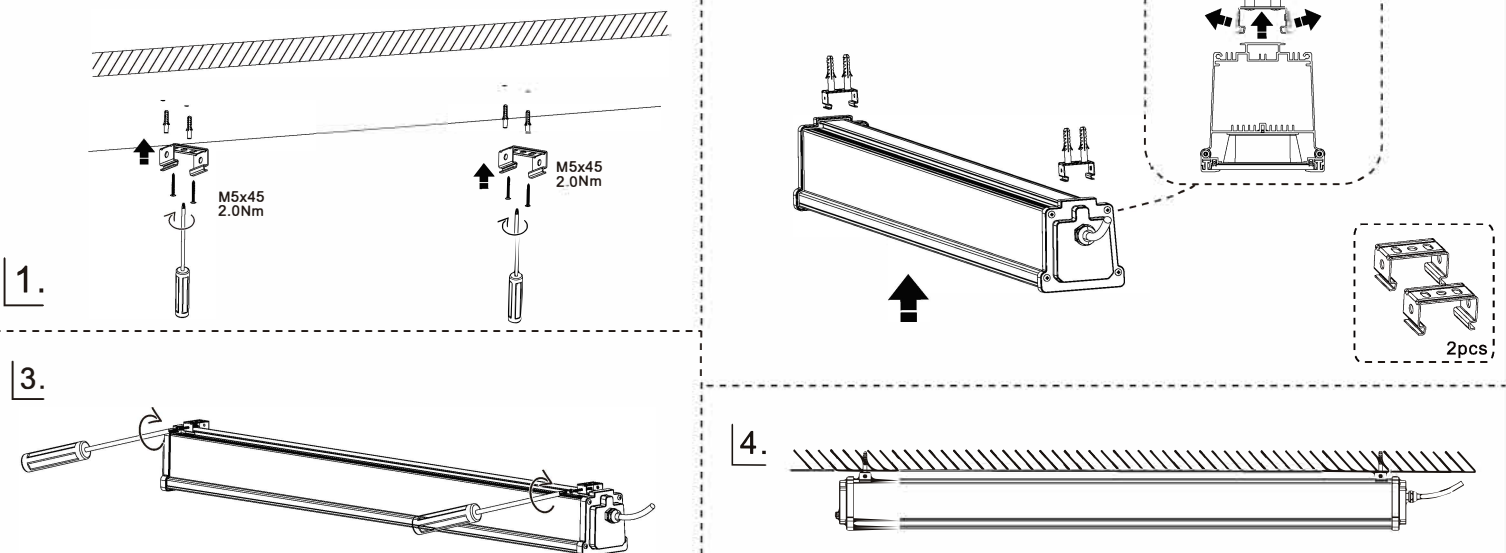
Instruction Manual



Physical Dimensions(mm/inch)

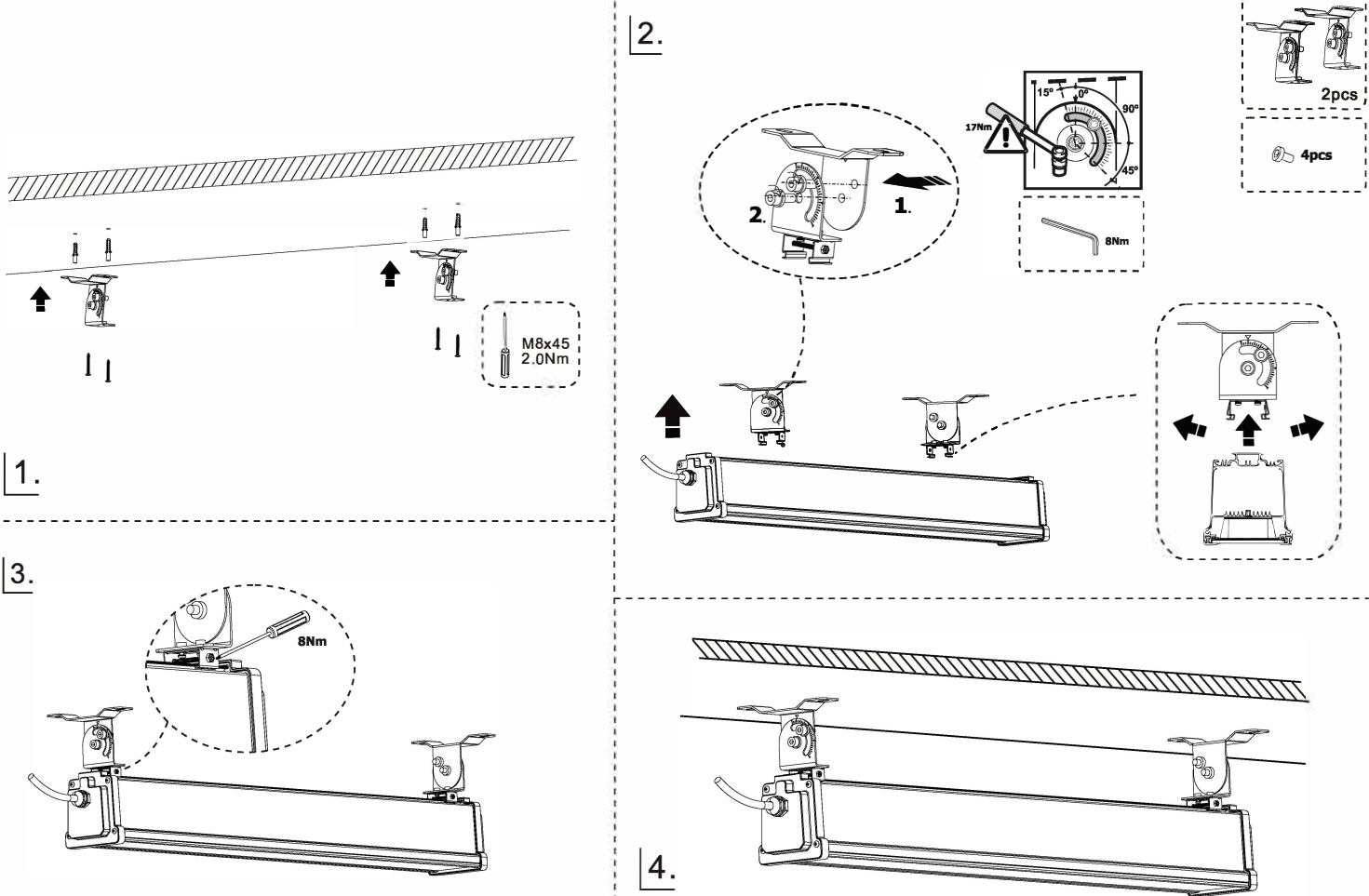


A.Ceiling mounting

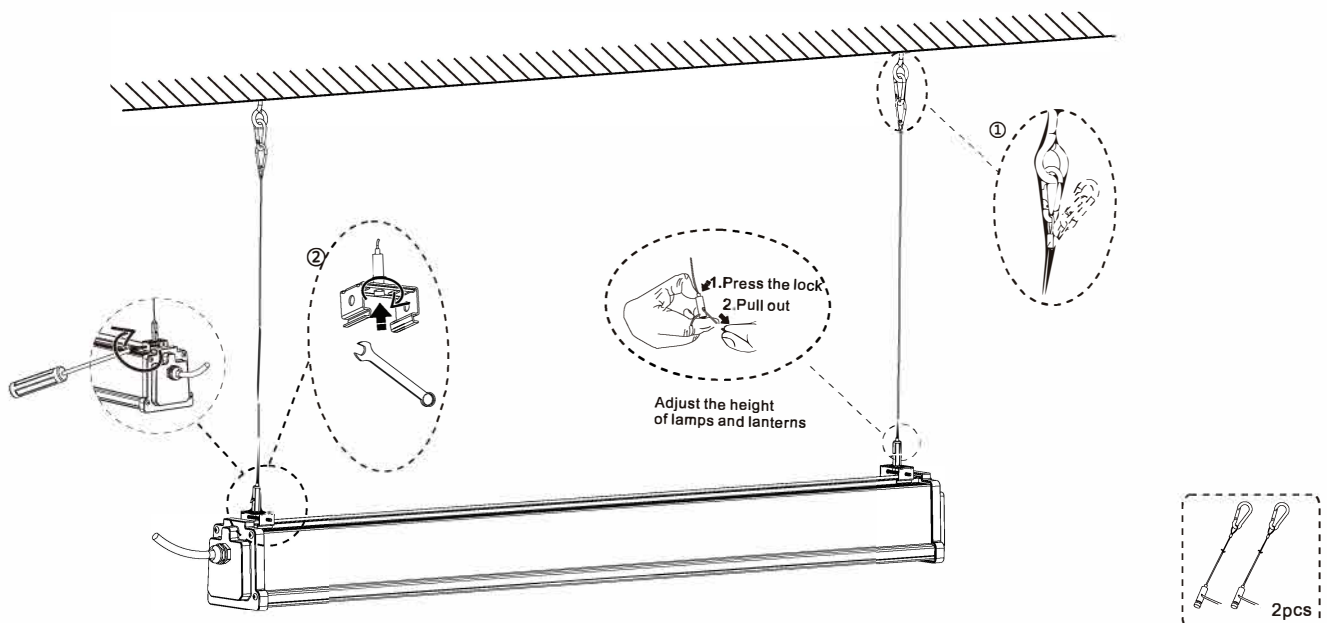


LED Linear High Bay

B. Adjustable angle mounting



C. Suspension mounting



• if the external flexible cable or cord of this luminaire is damaged, it shall be exclusively replaced by the manufacturer or his service agent or a similar qualified person in order to avoid a hazard.