

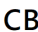

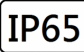




**HAWEY**

100W-240W Max IP65



- Power Selectable Function
- IP65 & IK08 dual protection, corrosion resistance
- 160lm/W or 200Lm/W different efficiency for optional for meet different budget.

## Technical Data

Luminaire Type-安裝方式/Tipo de luminaria	Mouting by Bracket or Hanging. 安裝支架固定或者吊裝 Soporte de montaje fijo o elevación
Power Consumption with LED Driver LED燈具包括LED驅動電源功率 Consumo de energía con controlador de LED	<ul style="list-style-type: none"> <li>• 100W (100/80/60W Power Selectable Function)</li> <li>• 150W (150/120/90W Power Selectable Function)</li> <li>• 200W (200/160/120W Power Selectable Function)</li> <li>• 240W (240/190/145W Power Selectable Function)</li> </ul>
Input Voltage / 輸入電壓 Voltaje de entrada	220-240VAC/50-60HZ
LED Driver Type LED驅動款式 Tipo de controlador LED	Integrated-type LED Driver--Refer to LED driver specification 請參閱LED驅動器規格 Consulte la especificación de controlador de LED 1. ON/OFF Switch AC220-240V 50/60HZ 2. 0/1 -10V Dimming Driver AC220-240V 50/60HZ 3. DALI Dimming Driver AC220-240V 50/60H 4. Microwave motion sensor 5. PIR sensor
Power Factor / 功率因數/Factor de potencia	PF>0.92
Total Harmonic Distortion/總諧波失/Distorsión armónica total	THD< 20%
Protection Against Surgers/防護措施/PROTECCIÓN CONTRA LAS PROMOCIONES:	6kV line-line, 6kV line-earth
Light Source Brand-光源品牌-Fuente de luz de marca	LUMILEDS LED
"Lumen Maintenance LM-80 Reported by TM-21"	L70 > 60,000 Hours
LED Life-LED壽命-La vida del LED	>50,000 hours
Color Temperature 色溫 Temperatura y color	3000K 4000K 5000K 6000K
Color Rendering Index-顯色指數 Índice de reproducción cromática	CRI>70 CRI>80
MacAdam Ellipses Binning 麥克亞當橢圓分級 Mac Adam binning elipse	Standard Deviation Colour Matching < 3 SDCM 標準偏差配色< 3 SDCM Coincidencia de color estándar Desviación < 3 SDCM
Beam Angle光束角ángulo de haz	60° 90° 120°
Luminaire Efficacy燈具效率 La eficacia de la luminaria	<ul style="list-style-type: none"> <li>• CRI &gt;80</li> <li>130 Lm/w(3000K) 140 Lm/w(4000K) 150 Lm/w(5000K) 160 Lm/w(6000K)</li> <li>• CRI &gt;70</li> <li>160 Lm/w(3000K) 180 Lm/w(4000K) 200 Lm/w(5000K) 200 Lm/w(6000K)</li> </ul>
Housing materials外殼材料 Materiales de la carcasa	Die-cast aluminium and Polycarbonate Lens 壓鑄鋁和PC 透鏡 Aluminio fundido a presión y policarbonato
Housing Color外殼顏色/color de la carcasa	Matte Black (RAL9017) 啞光黑色(RAL9017) Negro mate(RAL9017)
Ingress Protection-防護等級 Protección de ingreso	IP65
Mech impact protection機械衝擊保護 Protección contra impactos mecánico	IK08
Operating Temperature Range / 工作溫度範圍 Rango de temperatura de funcionamiento	-30 °C / +50 °C
Operating Humidity -工作濕度 Humedad de funcionamiento	0~100%, non-condensing-不結霜 sin condensación
Dimension/尺寸/Dimensión	Refer to Technical Drawing 請參閱技術圖紙/Consulte Dibujo técnico
Net Weight 淨重/Peso Neto	1.8 kg @ 100W 2.0 kg @ 150W 2.3kg @ 200W 2.6 kg @ 240W
Certificate Standard Complied 符合安規標準 estándar certificado de cumplimiento	LED Luminaries: IEC 60598-1:2017 ; IEC 60598-2-1:1987; IEC TR 62778:2014 (RG1); IEC 62031:2014(LED Modul); IEC 61058-2000 (Sensor); ROHS LED Driver: IEC/EN 61347-1; IEC/EN 61347-2-13; IEC/EN 61347-2-13; EN 55015; EN 61000-3-2;EN 61000-3-3; EN 61547;EN 62384
Certification-認證-Certificación	      

Project	Fixture#	Date
		Firm

## Ordering Information

Choose the option that suits your need and write its corresponding code on the appropriate line to form the product code.

Example product code: [HAWEY-100W](#)

HAWEY - -

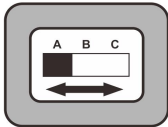
POWER  
CONSUMPTION

POWER CONSUMPTION	
Code	Description
<a href="#">100W</a>	100W (100/80/60W Power Selectable Function)
<a href="#">150W</a>	150W (150/120/90W Power Selectable Function)
<a href="#">200W</a>	200W ( 200/160/120W Power Selectable Function)
<a href="#">240W</a>	240W ( 240/190/145W Power Selectable Function)

### Power Selectable Function

**New Features**

Power Selectable



A: 100% B: 80% C: 60% \* The tolerance for power is ±10%

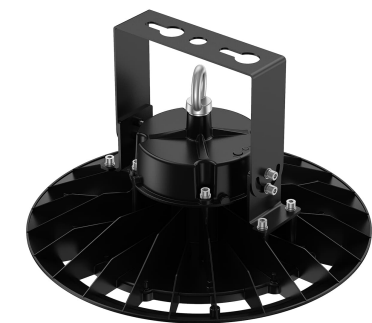
Power Percentage	240W	200W	150W	100W
100%	240W	200W	150W	100W
80%	190W	160W	120W	80W
60%	145W	120W	90W	60W

*\* Please consult us for details.*

## Mounting Options



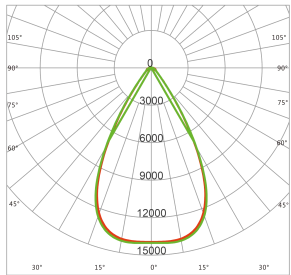
Loop Hanging



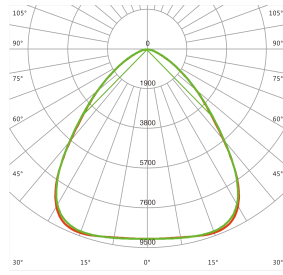
Ceiling Mounting

# BEAM ANGLE

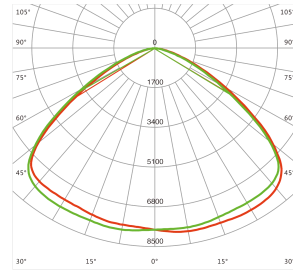
## 100W beam angle



(60°)

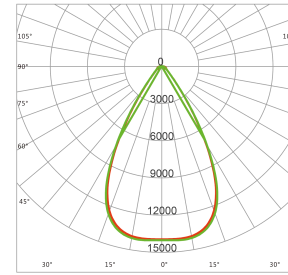


(90°)

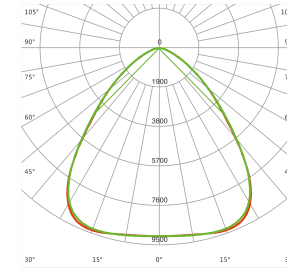


(120°)

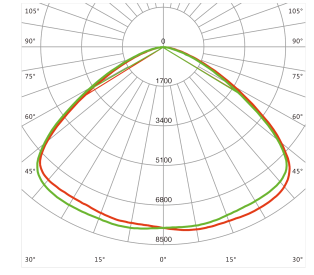
## 150W beam angle



(60°)

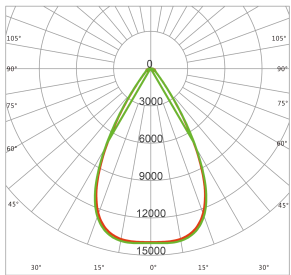


(90°)

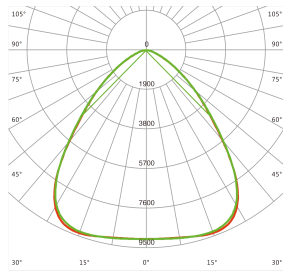


(120°)

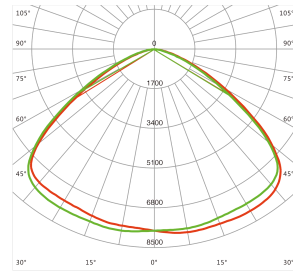
## 200W-240 beam angle



(60°)



(90°)



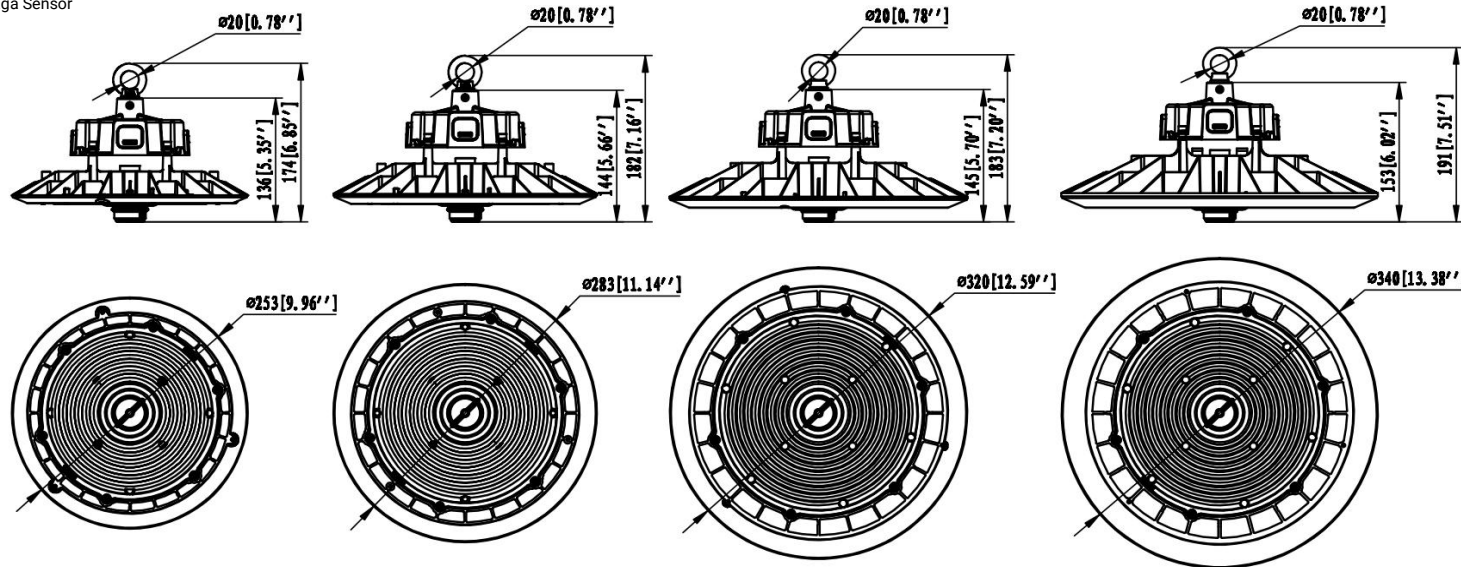
(120°)



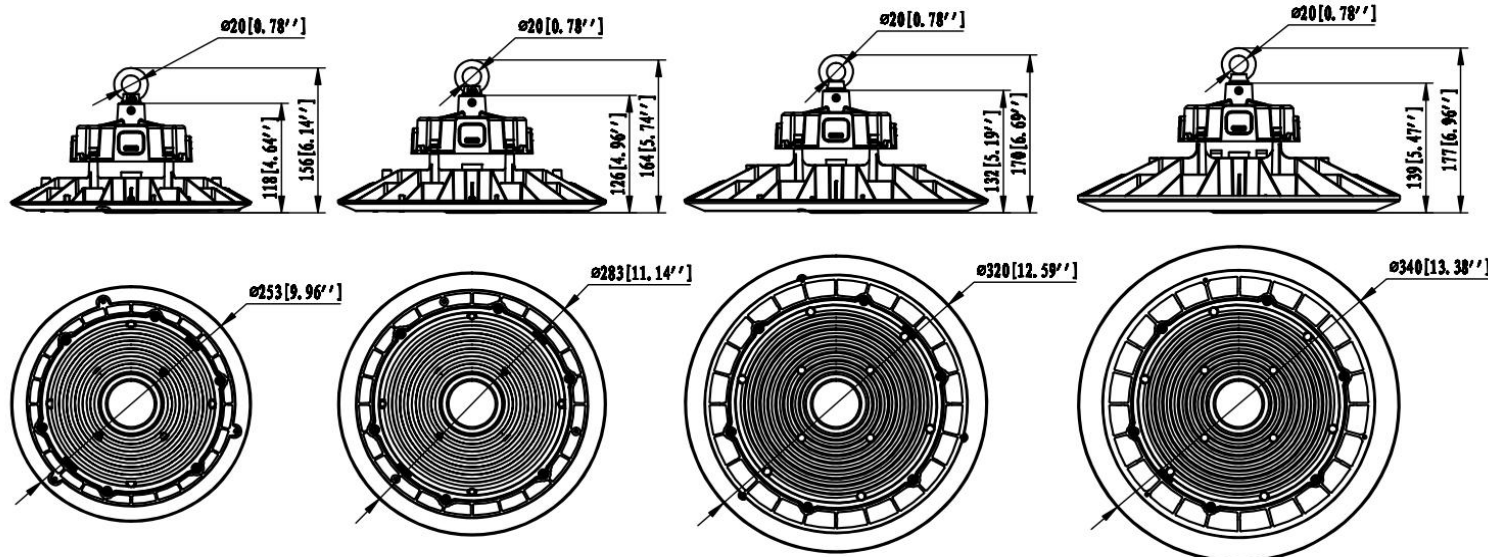
# Technical Drawing

Unit:mm/inch

Zhaga Sensor



1pin/ No Sensor



100W

150W

200W

240W

# Accessories



**PC reflectors**  
90° PC reflector with lid Code:  
00C73A+00C01B  
  
(100W-150W)  
Code: 00C01A+00C01B  
(200W-240W)



**Aluminum Reflector**  
90° AL reflector  
  
Code: 00D05-01 (100W-150W)  
Code: 00D02 (200W-240W)



**Safety chain**  
201 stainless steel, available  
for 0.5m long.  
  
Code: C-H54-01



**Zhaga Microwave  
Motion Sensor**  
  
zhaga



**Zhaga PIR Sensor**  
  
zhaga



**CASAMBI ready wireless  
module**  
  
zhaga



**Microwave motion sensor**  
12Vdc input, IP65 rating,  
max detect height is 15m.  
  
1pin  
Code: NT-5-4T



**PIR sensor**  
12Vdc input, IP65 rating, max  
detect height is 15m.  
  
1pin  
Code: NT-6-4T



**Remote controller**  
For  
NT-5-4T  
NT-6-4T  
  
Code: C-100



**±30° adjustable bracket** SPCC  
materials with outdoor powder coating.  
  
Code: BC-01



**±45deg adjustable  
bracket**  
SPCC materials with outdoor powder  
coating.  
  
Code: BC-02



**Remote controller**  
For  
HD06VCRH 7B/HD06VCRH 7C  
  
Code: D05R