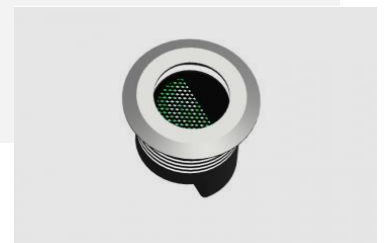
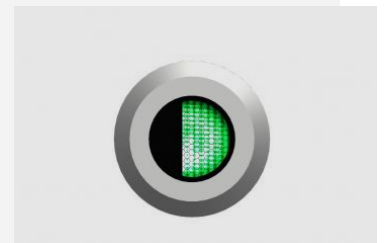
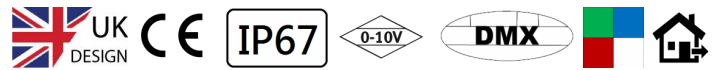


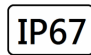

IAR

Dia 80 xH 70mm Max 13W



LED in-ground luminaires with small dimensions for flush-mounting installation. The luminaire housing made of die-cast aluminium and AISI 316 stainless steel. Cover with tempered glass, 1.2 m PVC cable conduit. Optics with PMMA lens. Outer casing made of plasticpropylene material to be ordered separately. It is available in monocolour and RGBW color. It is able to be controlled by DMX and RDM. It's as well a great alternative to urban furniture due to its IP67 protection rating. Static load resistance 2000 kg

Technical Data

Luminaire Type/ 安裝方式 Tipo de luminaria	Recessed In-Ground Type or Recessed Ceiling Mounted / 內嵌式地埋安裝或天花暗裝 Tipo empotrado en el suelo o empotrado en el techo	
Power Consumption Max 燈具功率 Consumo de energía Max	6W 13W	
Input Voltage / 輸入電壓 Voltaje de entrada	<ul style="list-style-type: none"> • DC24V • Remoted Type Driver : ON/ OFF AC100-240V 50/60HZ • Remoted Type Driver: ELV Leading Ledge Dimming AC100-240V 50/60HZ • Remoted Type Driver :1-10V Dimming AC100-240V 50/60HZ • Remoted Type Driver: Dali Diming AC100-240V 50/60HZ • Remoted Type Driver : DMX Dimming AC100-240V 50/60HZ • Remoted Type Driver: RDM Dimming AC100-240V 50/60HZ 	
DMX Channel Per Luminaire 燈具DMX Canal de DMX por luminaria-DMX	<ul style="list-style-type: none"> • 1 DMX Channel for Mono Color • 單色燈為1個DMX地址 • 1 canal DMX para Mono color • 4 DMX Channel for RGBW Color • RGBW燈為4個DMX地址 • 4 canales DMX de color RGBW 	
Control Protocol/控制協議 Protocolo de Control	1-10V / Dali/ DMX 512 / RDM	
Beam Angle/光束角 ángulo de haz	• 10° Narrow Angle , 20° Spot Angle, 30° Spot Angle , 60° Wide Angle	
Light Source Brand/光源品牌 Fuente de luz de marca	CREE	
"Lumen Maintenance LM-80 Reported by TM-21"	L90(10k) = 50,700 hrs / L80(10k) > 63,500 hrs / L70(10k) > 63,500 hrs	
LED Life/LED壽命 La vida del LED	>60,000 hours	
Color Temperature / Color 色溫/顏色 Temperatura de color / Color	<ul style="list-style-type: none"> • Mono : 2700K / 3000K / 4000K/ 5000K/ 6500K • Single Color: RED (620-630nm) , Green(520-530nm), Blue (450-460nm) • Mix Color : RGBN(4000K) / RGBD(5000K) 	
Color Rendering Index/顯色指數 Índice de reproducción cromática	>90 @ White Mono	
MacAdam Ellipses Binning 麥克亞當橢圓分級 Mac Adam binning elipse	Standard Deviation Colour Matching < 2 SCDM 標準偏差配色 < 2 SCDM Coincidencia de color estándar Desviación	
Luminaire Efficacy 燈具效率 La eficacia de la luminaria	<ul style="list-style-type: none"> • 70lm/w(2700K) 70lm/w (3000K) 80lm/w (4000K) 80lm/w(5000K) 80lm/W (6500K) • 60lm/w RED 70lm/w Green 20lm/w Blue • 35lm/w RGBN(4000K)@Full Load 40lm/w RGBN(4000K)@Full Load 	
LED Source Luminous Efficacy LED光源光效 Fuente luminosa LED Eficacia	<ul style="list-style-type: none"> • 100lm/w(2700K) 100lm/w (3000K) 110lm/w (4000K) 110lm/w(5000K) 110lm/W (6500K) • 90lm/w RED 100lm/w Green 50lm/w Blue • 65lm/w RGBN(4000K)@Full Load 70lm/w RGBN(4000K)@Full Load 	
Housing materials/外殼材料 Materiales de la carcasa	Die cast aluminium , 4mm thick tempered glass 壓鑄鋁和4mm mm 厚鋼化玻璃 Aluminio fundido a presión, vidrio templado de 4 mm de espesor	
Trim Color with Coating 框邊噴塗顏色 Recorte de color con revestimiento	<ul style="list-style-type: none"> • Matte Silver 啞光銀 plata mate • Matte White 啞光白 Blanco mate • Matte Black 啞光黑 Negro mate 	
Ingress Protection/ 防護等級 Protección de ingreso	IP67	
Operating Temperature Range / 工作溫度範圍 Rango de temperatura de funcion amiento	-20 °C / +60 °C / -4 °F / +124 °F	
Operating Humidity -工作濕度 Humedad de funcionamiento	0~90%, non-condensing-不結霜 sin condensación	
Dimension/尺寸 Dimensión	<ul style="list-style-type: none"> • Light Fixture Dia 80 x H: 66mm • Cut off for Recessed Ceiling : Dia 64mm 	<ul style="list-style-type: none"> Outer casing: DIA 71 x H: 70mm Cut off for Recessed In Ground Mounted : Dia 72mm
Environment/ 使用環境 Medio ambiente	Outdoor / 戶外/al aire libre	
Country of Design 設計國家	United Kingdom 英國	
Comply Testing Standard 符合測試標準 Cumplir el estándar de prueba	LED Luminaires CE LVD: EN60598-1 / EN 60598-2-2 / EN 62471 / EN62031 LED Luminaires CE EMC: EN55015 / EN 61547 / EN61000-3-2 / EN 61000-3-3	
Certification-認證-Certificación	      	

Project	Fixture#	Date
		Firm

Ordering Information

Choose the option that suits your need and write its corresponding code on the appropriate line to form the product code.

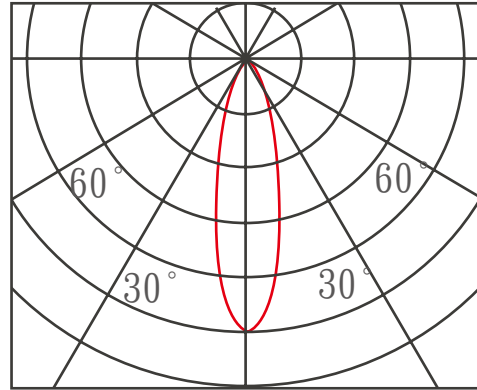
Example product code: [IRE-6W-30-CV-W](#)

IAR - - _____ - _____ - _____ - _____
Power Consumption
LED Driver Type
Color Temperature
Beam Angle

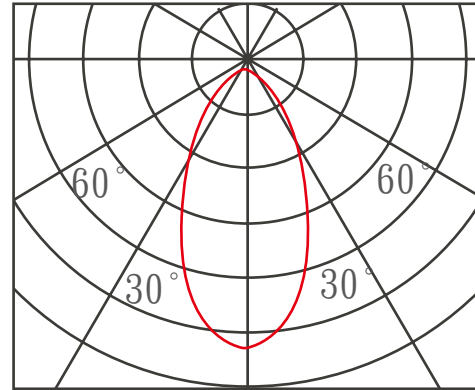
Power Consumption		LED Driver Type		Color Temperature		Beam Angle	
Code	Description	Code	Description	Code	Description	Code	Description
6W	6W	CV	DC24V	27	2700K	S	10° Narrow-Angle
13W	13W	SW	ON/OFF Switch- Remoted LED Driver	30	3000K	M	20° Small- Angle
		ELV	ELV Leading Ledge Control-Remoted LED Driver	40	4000K	L	30° Middle- Angle
		DA	Dali Dimming- Remoted LED Driver	50	5000K	W	60° Wide- Angle
		AN	Analog 1-10V dimming- Remoted LED Driver	65	6500K		
		DMX	DMX dimming +DC24V Integrated	FN	RGBN (4000K) color		
		RDM	RDM dimming +DC24V Integrated	FD	RGBD (5000K) color		
				R	RED		
				G	Green		
		B	Blue				

BEAM ANGLE

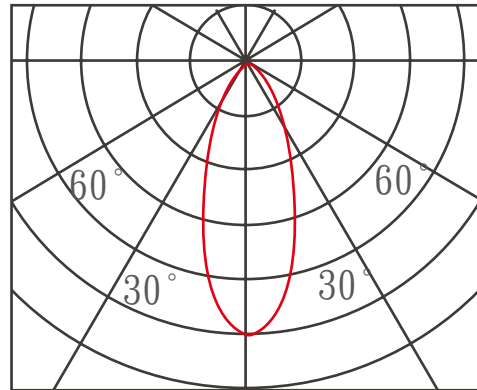
10°



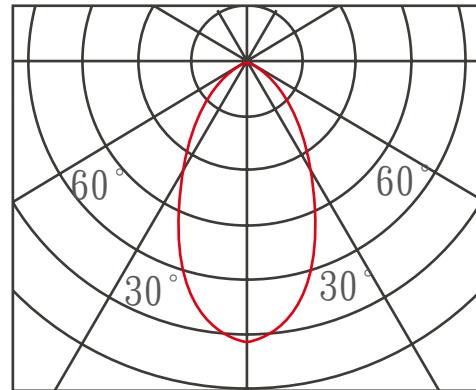
30°



20°

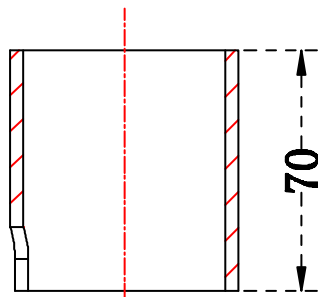
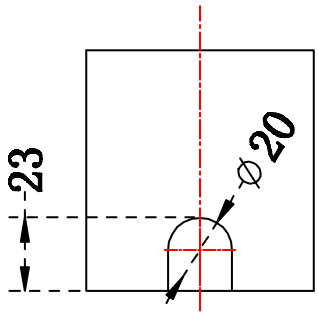
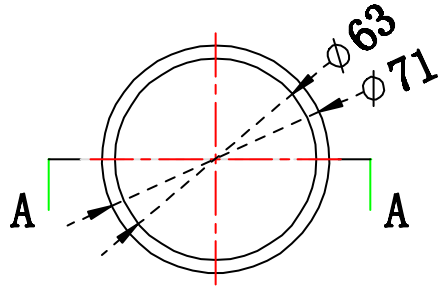


60°

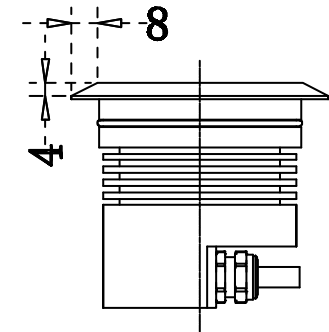
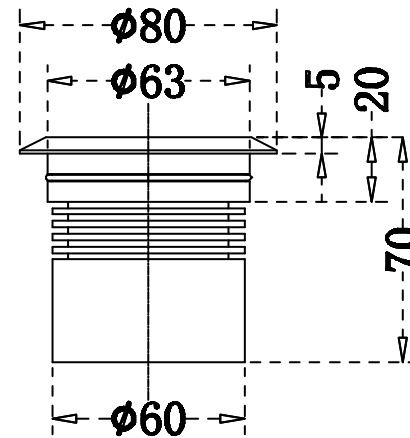


Technical Drawing

Outer Casing



Cut off : Dia 72mm x H:71mm
In-Ground Light



Cut off : Dia 64mm
Recessed Ceiling Mount

Unit: mm