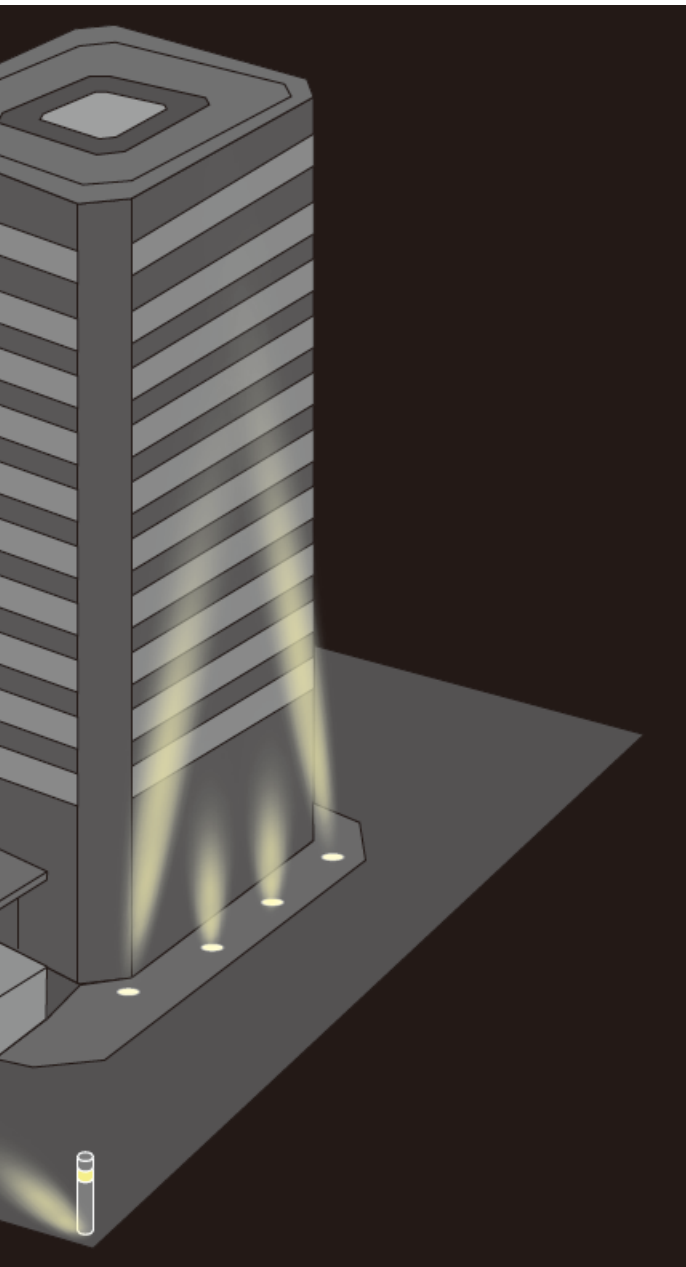


INCHERY



LED in-ground luminaires. The luminaire housing made of die-cast aluminium and AISI 316 stainless steel. Cover with tempered glass. It's as well a great alternative to urban furniture due to its IP68 protection rating.

Technical Data

| | |
|--|---|
| Luminaire Type/ 安裝方式Tipo de luminaria | Recessed In-Ground Type / 內嵌式地理燈Empotrada en el suelo del Tipo |
| Power Consumption Max 燈具功率 Consumo de energía Max | 5W 8W |
| Input Voltage / 輸入電壓Voltaje de entrada | AC220-240V 50/60HZ |
| LED Driver Type LED 驅動款式 Tipo de controlador LED | Integrated-type LED Driver--Refer to LED driver specification 請參閱LED驅動器規格 Consulte la especificación de controlador de LED 1. ON/OFF Switch AC220-240V 50/60HZ 2. 1-10V Dimming Driver AC220-240V 50/60HZ 2. Dali Dimming 1-100% Driver AC220-240V 50/60HZ 5. Remoted DMX Dimming 1-100% Driver AC20-240V 50/60HZ |
| LED Driver Features 驅動特性 Funciones del controlador de LED | POWER FACTOR : PF>0.90 or PF:>0.95 TOTAL HARMONIC DISTORTION: THD< 20% LIFE:>50000hours Refer to LED Driver data sheet |
| Control Protocol/控制協議 Protocolo de Control | 1-10V / Dali/ DMX 512 |
| Beam Angle/光束角ángulo de haz | 8° 17° 38° 56° |
| Light Source Brand/光源品牌 Fuente de luz de marca | CREE |
| Lumen Maintenance LM-80 Reported by TM-21@ 25 °C | > 65000 hours |
| LED Life/LED 壽命 La vida del LED | Ambient temperature ta = 25 °C > 150,000 h: L 80 B 50 Ambient temperature ta = 50 °C > 130,000 h: L 80 B 50 |
| Color Temperature / 色溫 Temperatura del color | 2700K / 3000K / 4000K / 5000K / 6500K |
| Color Rendering Index/顯色指數 Índice de reproducción cromática | >80 |
| MacAdam Ellipses Binning 麥克亞當橢圓分級 Mac Adam binning elipse | Standard Deviation Colour Matching < 3 SDCM標準偏差配色< 3 SDCM Coincidencia de color estándar Desviación < 3 SDCM |
| Luminaire Efficacy 燈具效率 La eficacia de la luminaria | • 80 Lm/w(2700K), 90 Lm/w(3000K), 100 Lm/w(4000K), • 110 Lm/w(5000K), 110 Lm/w(6500K), |
| LED Source Luminous Efficacy LED光源光效 Fuente luminosa LED Eficacia | • 120 Lm/w(2700K), 130 Lm/w(3000K), 140 Lm/w(4000K), • 150 Lm/w(5000K), 150 Lm/w(6500K), |
| Housing materials/外殼材料 Materiales de la carcasa | Die cast aluminium , thick tempered glass wiht #316 Stainless Steel Cover 壓鑄鋁, 鋼化玻璃和#316不銹鋼面蓋 Aluminio fundido, vidrio templado de espesor con # 316 de la cubierta de acero inoxidable |
| Housing Color/ 外殼顏色 Color de la carcasa | #316 Stainless Steel Cover #316 不銹鋼面蓋 # 316 de la cubierta de acero inoxidable |
| Materials of Embedded Parts and Color 嵌入式零件和顏色材料 Materiales de Piezas y Color Embebidos | Die cast aluminium / Black壓鑄鋁/ 黑色 Aluminio fundido / Negro |
| Operating Temperature Range / 工作溫度範圍 Rango de temperatura de funcionamiento | -20 °C / +60 °C / -4 °F / +124 °F |
| Operating Humidity -工作濕度 Humedad de funcionamiento | 0~90%, non-condensing-不結霜 sin condensación |
| Ingress Protection/ 防護等級 Protección de ingreso | IP68 |
| Pressure load 壓力負荷 Carga de presión | 2,000 kg (~20 kN) |
| Mech impact protection 機械衝擊保護 Protección contra impactos mecánicos | IK10 |
| Dimension/尺寸/Dimensión | Dia 115 x H: 140 mm |
| Comply Testing Standard 符合測試標準 Cumplir el estándar de prueba | LED Luminaries: LVD: IEC 60598-1; IEC 60598-2-1; IEC62471; IEC 62031; IEC62471, ROHS TM21-L70 LED Driver: IEC/EN 61347-1; IEC/EN 61347-2-13; IEC/EN 62384; IEC/EN 61000-3-2; IEC/EN 61000-3-3; IEC/EN61574; EN 55015 ; IEC /EN 62384 |
| Certification-認證-Certificación |         |

| | | |
|---------|----------|------|
| Project | Fixture# | Date |
| | | Firm |

Ordering Information

Choose the option that suits your need and write its corresponding code on the appropriate line to form the product code.

Example product code:

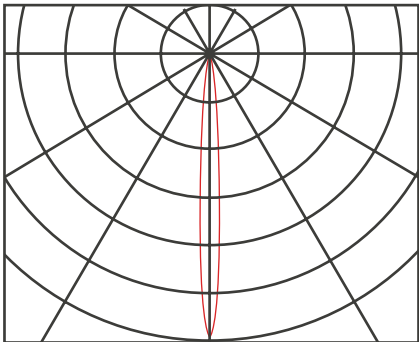
INCHERY - _____
Power Consumption

| Power Consumption | |
|-------------------|-------------|
| Code | Description |
| 5W | 5W |
| 8W | 8W |

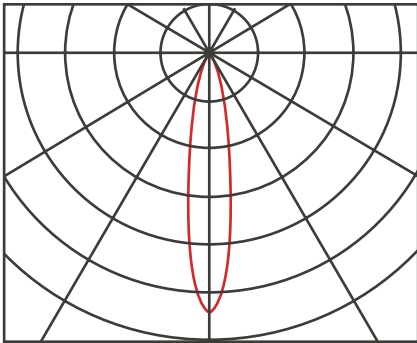


BEAM ANGLE

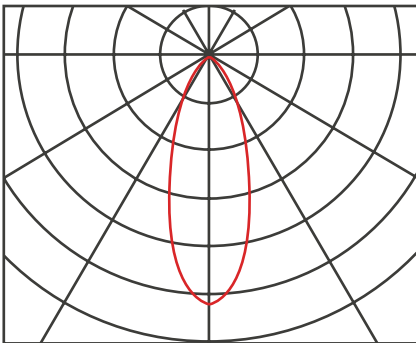
8°



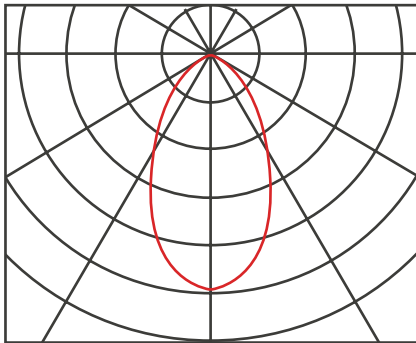
17°



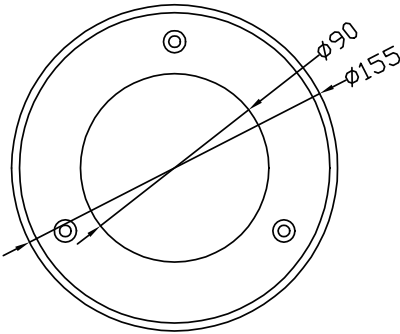
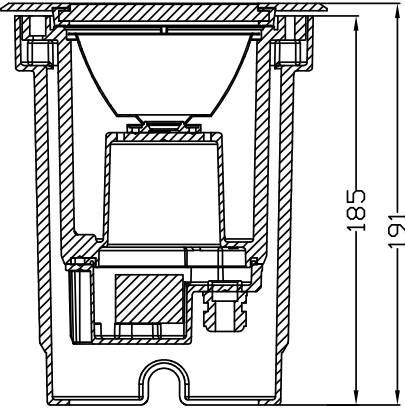
38°



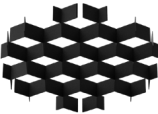
56°



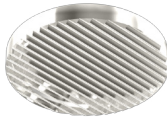
Technical Drawing



Accessory



Honey comb



Striped Glass

Unit: mm