

INOVA



Solar Sensor wall Light




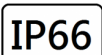



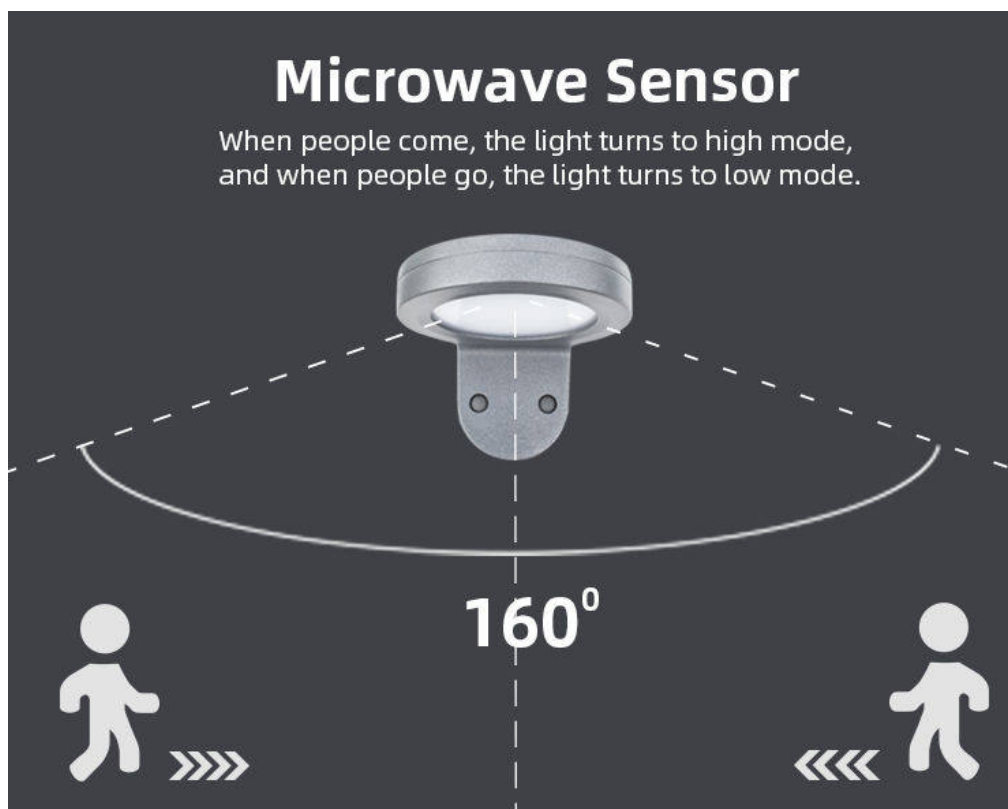
Type A

Type B

- Solar panel: high efficiency monocrystalline silicon with 25 years lifetime
- LED lamp: Bridgelux from USA, good quality for 50000h lifes
- Power Lithium Battery: high capacity lithium battery, intelligent charging to prolong battery's service life
- MPPT Controller: Independently developed intelligent MPPT controller with 95% charging efficiency
- Exclusive private mold, Self-designed and Independent research and development
- Die-cast aluminum framework and elegant look
- Compact and portable, easy to install
- Light control, time control and the microwave sensor function

Technical Data

Power Consumption	<ul style="list-style-type: none"> • 5W Type A • 2W Type B
Solar Panel Power	<ul style="list-style-type: none"> • Type A: 5.5V / 4.7W Mono-Crystalline Silicon Solar Panel Up to 21% Photoelectric Conversion Efficiency • Type B: 5.5V / 1W Mono-Crystalline Silicon Solar Panel Up to 21% Photoelectric Conversion Efficiency
Battery Capacity	<ul style="list-style-type: none"> • Type A: 5.2AH Long Service Life and High Security Powerful Lithium Battery • Type B: 2.6AH Long Service Life and High Security Powerful Lithium Battery
Light Source Brand	U.S.A Bridgelux
Color Temperature	3000K / 4000K / 5000K / 5700K
Color Rendering Index	> 80
Luminaire Efficacy	<ul style="list-style-type: none"> • 90 Lm/w(3000K), • 100 Lm/w(4000K), • 110 Lm/w(5000K), • 110 Lm/w(5700K),
MICROWAVE SENSOR	Radiation frequency: 5.8GHz±100MHz Microwave Sensor Detection Angle: 160° Maximum Detection Distance : Up to 10 meter Brightness on Standby: 20% Brightness
Discharging Time	> 36 Hours
Housing materials	Die-Cast Aluminum and Opal Polycarbonate
Housing Color	Dark Grey
Ingress Protection	IP66
Operating Temperature Range	-30 °C / +50 °C
Dimension	Type A: 265 x 195 x 155mm Type B: 152 x 134 x 100mm
Certification	    



Project	Fixture#	Date
		Firm

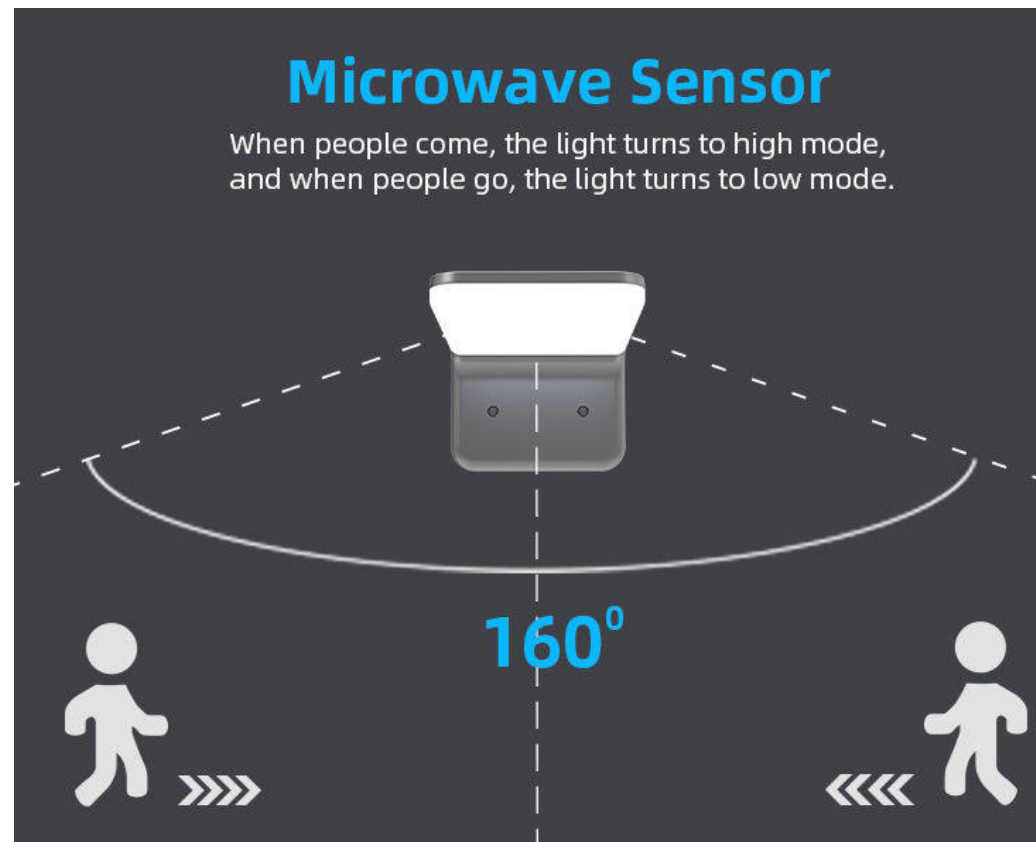
Ordering Information

Choose the option that suits your need and write its corresponding code on the appropriate line to form the product code.

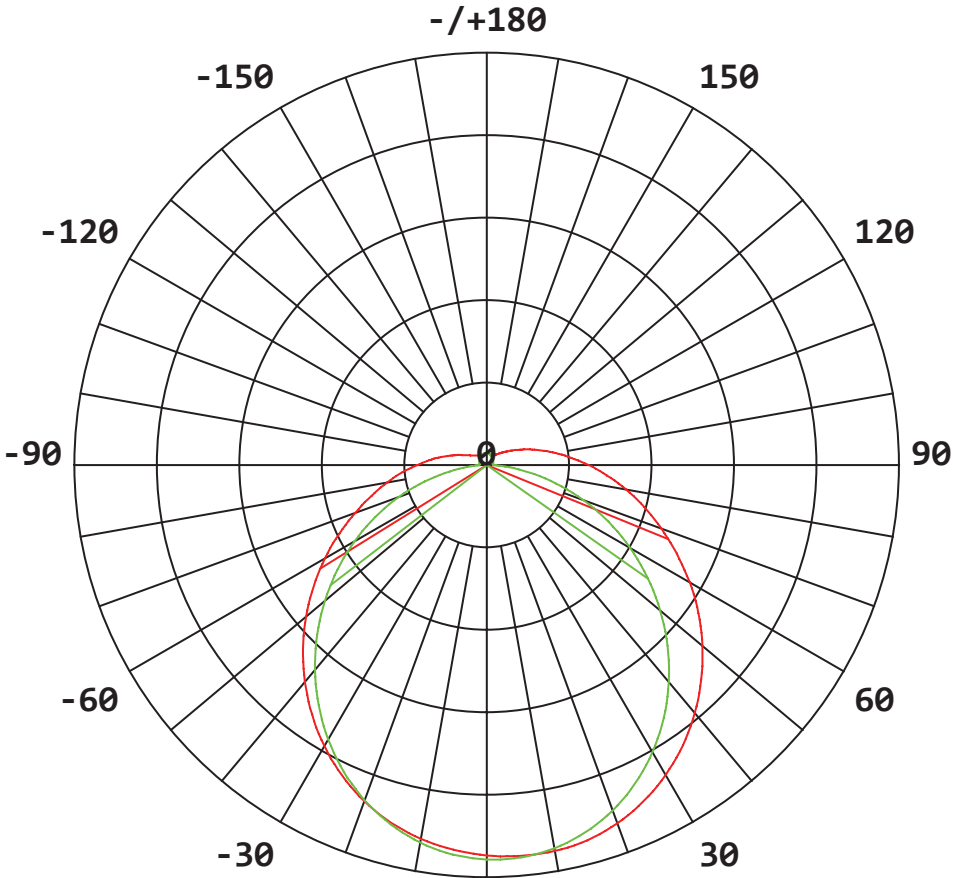
Example product code: [INOVA-5W](#)

INOVA - - _____
Power

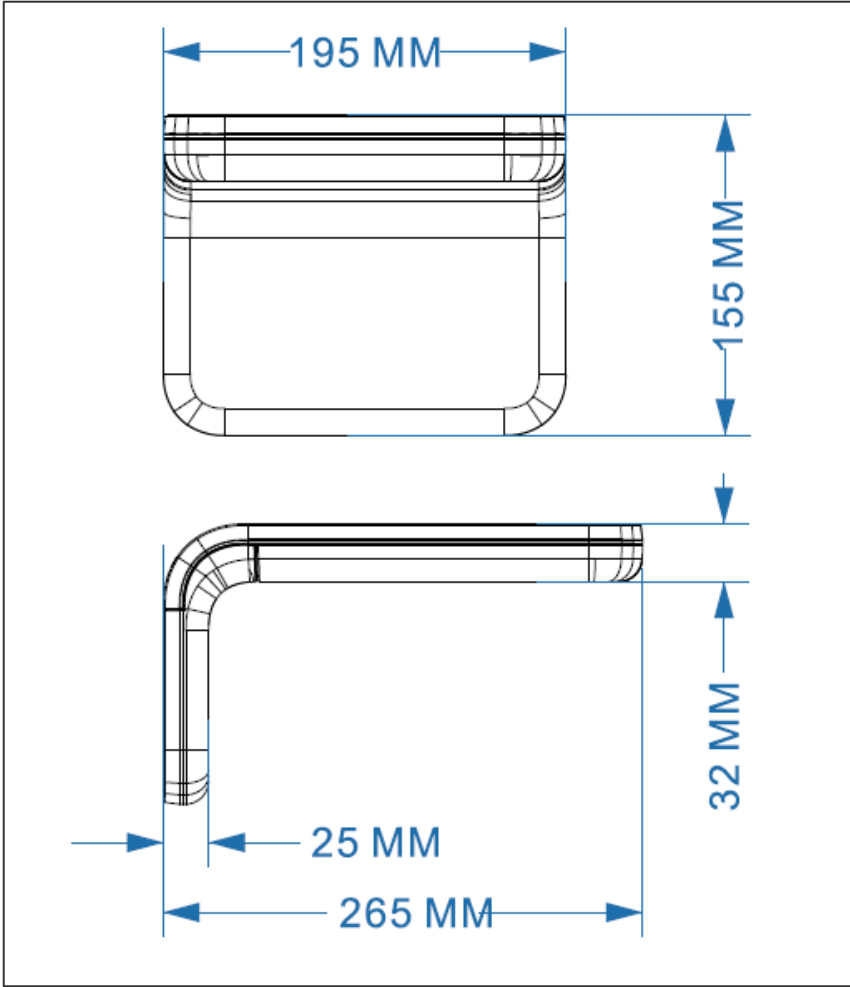
Power	
Code	Description
5W	5W Type A
2W	2W Type B



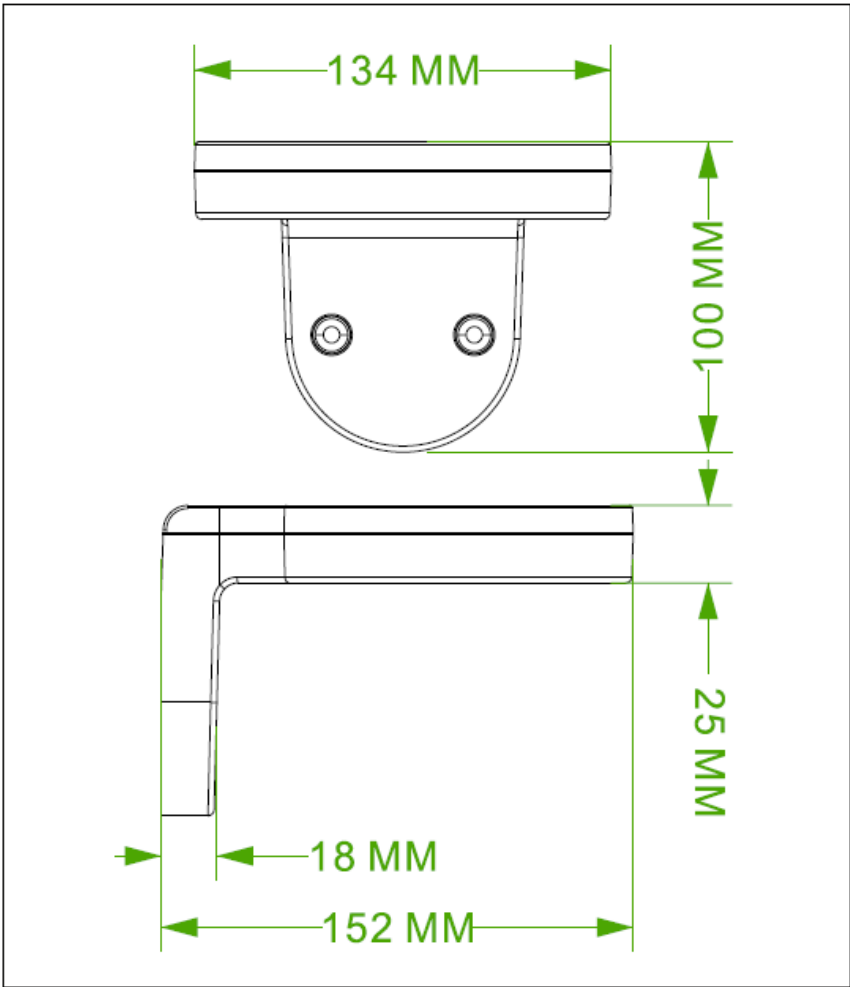
BEAM ANGLE



Technical Drawing



Type A



Type B