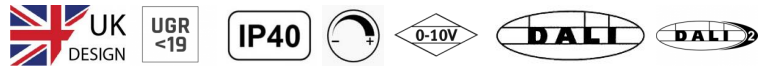


## LABITY-MOON

W:310xH:45mm UGR19



- Suspended /Ceiling surface mounted luminaire with aluminum alloy structure integrated with advance side light transmittance technology, direct and indirect light illuminating, high transmitting optical light guide PMMA plate create shadow free and uniform light output without any glare.
- Advanced thermal management technology to ensure consistency of LED life span, color temperature and maximize output lumens.
- Applications: Offices, schools, hospitals, hotels, shopping malls, public buildings, airport halls etc

## Technical Data

Luminaire Type-安裝方式 Tipo de luminaria

- Suspended Mounted-吊裝-Suspendido montado Suspension Wire--Length: 1000mm
- Ceiling surface mounted -吸頂安裝 Montado en la superficie del techo

Dimension-尺寸-Dimensión  
LxWxH

- 1200\*320\*45
- 1760\*320\*45

Power Consumption with LED Driver  
LED燈具包括LED驅動電源功率

- 30W @ L: 1200mm
- 48W @ L: 1760mm
- 36W @ L: 1200mm
- 54W @ L: 1760mm

Consumo de energía con controlador de LED

LED Driver Type

LED驅動款式

Tipo de controlador LED

Integrated -type LED Driver--Constant Current LED Driver

Refer to LED driver specification 請參閱LED驅動器規格

Consulte la especificación de controlador de LED

- ON/OFF Switch AC220-240V 50/60HZ
- 1-10V Dimming Driver AC100-240V 50/60HZ
- Dali Dimming Driver (1-100% )AC100-240V 50/60HZ

LED Driver Features Constant Current LED Driver:

驅動特性-恆流LED驅動器

Funciones del controlador de LED

POWER FACTOR : PF>0.90 @ Full Load

TOTAL HARMONIC DISTORTION: THD< 20%

Control Protocol/控制協議/Protocolo de Control

1-10V or Dali

Light Source Brand-光源品牌-Fuente de luz de marca

OSRAM

"Lumen Maintenance LM-80 Reported by TM-21"

L70 > 60,000 hrs

LED Life-LED壽命-La vida del LED

>60,000 hours

Color Temperature -色溫

Temperatura del color

2700K / 3000K / 4000K / 5000K / 6000K / 6500K

Color Rendering Index-顯色指數

Índice de reproducción cromática

>85

Photobiological safety-EN 62471 / of Luminaire

光生物安全檢驗(EN 62471) 結果:

Seguridad fotobiológica-EN 62471

Exempt

豁免(無危險)

Eximir

MacAdam Ellipses Binning

麥克亞當橢圓分級

Mac Adam binning ellipse

Standard Deviation Colour Matching < 3 SDCM

標準偏差配色 < 3 SDCM

Coincidencia de color estándar Desviación < 3 SDCM

Beam Angle 光束角 ángulo de haz

Up and Down Light 120°

UGR : 19

Luminaire Efficacy燈具效率

La eficacia de la luminaria

80 Lm/w(2700K) 80Lm/w(3000K) 90 Lm/w(4000K)

100 Lm/w(5000K) 100 Lm/w(6500K)

LED Source Luminous Efficacy

LED光源光效Fuente luminosa LED Eficacia

130 Lm/w(2700K) 130Lm/w(3000K) 140 Lm/w(4000K)

150 Lm/w(5000K) 150 Lm/w(6500K)

Housing materials-外殼材料

Materiales de la carcasa

High-quality Aluminum alloy with PMMA Diffuser 鋁合金和PMMA 擴散器

Aleación de aluminio de alta calidad con difusor de PMMA

Housing Color外殼顏色 color de la carcasa

Electrostatic thermo-painting Silver 電熱塗銀

Termopintura electrostática Plata

Ingress Protection-防護等級

Protección de ingreso

IP40

Operating Temperature Range / 工作溫度範圍

Rango de temperatura de funcion ambiente

-30 °C / +50 °C

Comply Testing Standard

符合測試標準

Cumplir el estándar de prueba

LED Luminaries: LVD: IEC/EN 60598-1;EN / IEC/EN 60598-2-1;IEC62471;IEC/EN 62031;

IEC/EN 62493 ; IEC/EN 62471

LED Driver: IEC 61347-1; IEC 61347-2-13; IEC 62384; IEC 61000-3-2;

IEC 61000-3-3;IEC61574;EN 55015 ; IEC 62384

Certification-認證-Certificación



Project	Fixture#	Date
		Firm

## Ordering Information

Choose the option that suits your need and write its corresponding code on the appropriate line to form the product code.

Example product code: [LABITY-36W](#)

LABITY - \_\_\_\_\_  
POWER CONSUMPTION

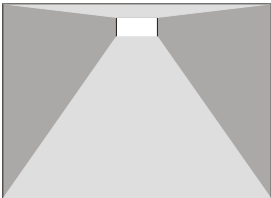
POWER CONSUMPTION

Code	Description
<a href="#">30W</a>	30W @ L: 1200mm
<a href="#">36W</a>	36W @ L: 1200mm
<a href="#">48W</a>	48W @ L: 1760mm
<a href="#">54W</a>	54W @ L: 1760mm

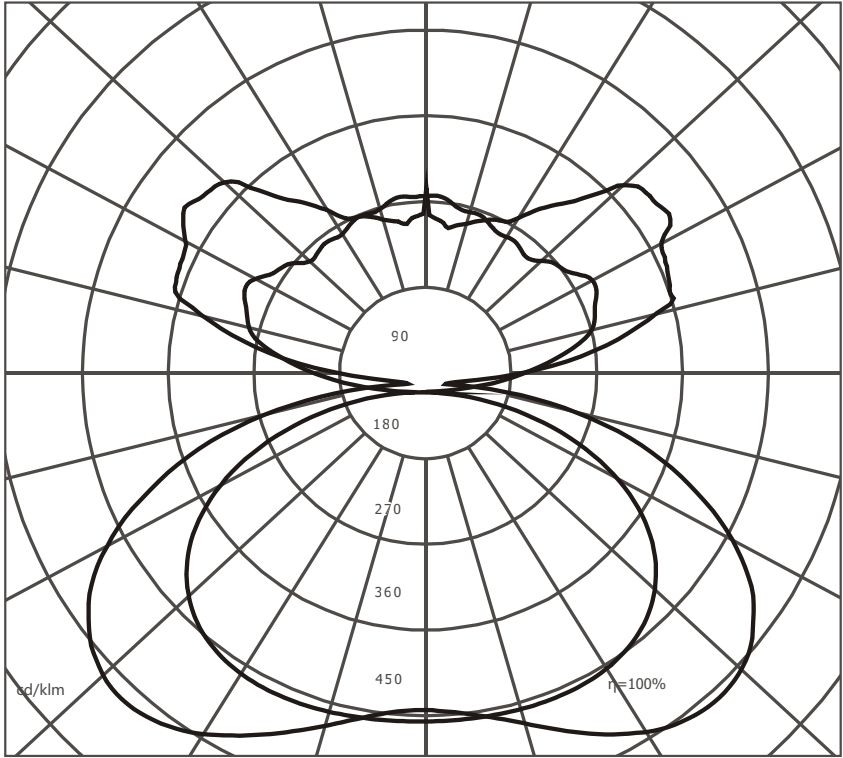
**Details**



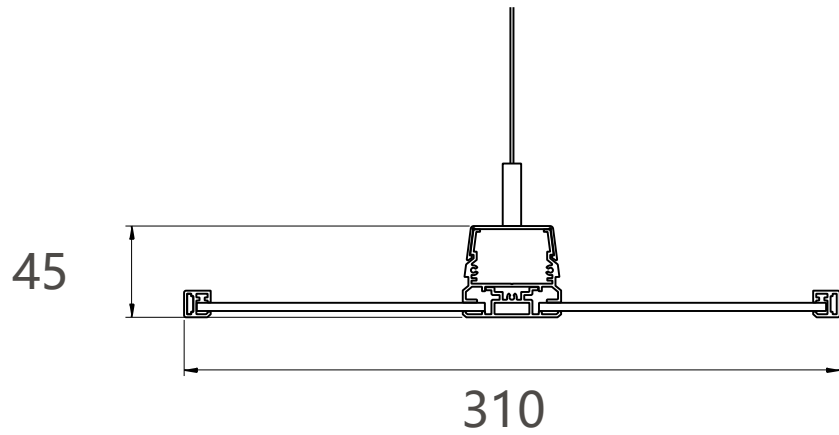
# BEAM ANGLE



Up&down light  
UGR: 19



# Technical Drawing



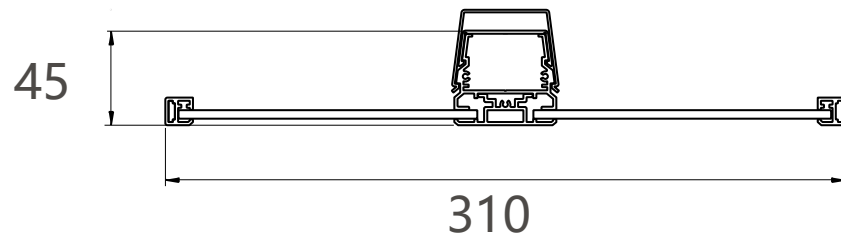
Installation: Suspended



Size  
(L\*W\*H)

1200\*310\*45

1760\*310\*45



Installation: Ceiling Mounted

