

LACARY PRO -ADJUSTABLE

Tilt- Angle+/- 25°



Ø135



Ø160



Ø182



Ø208



Ø248

BEAM DIRECTION ADJUSTABLE ON SIDE IN-GROUND LIGHT (Tilt- Angle+/- 25°)

- The luminaire housing made of die-cast aluminium and AISI 316 stainless steel Cover with tempered glass.
- 25 degree adjustable in clockwise or anti-clockwise direction, 0/10/20/25D graduations for beam direction acustality.
- It's as well a great alternative to urban furniture due to its IP67 and IK10 protection rating.

LACARY PRO -ADJUSTABLE

Tilt- Angle+/- 25°

DIMON
TECHNOLOGY

Technical Data

Luminaire Type 安裝方式 Tipo de luminaria	Recessed In-Ground Type 內嵌式埋地燈 Tipo empotrado en el suelo y ángulo de
LED Light Source Type LED光源類型	• SMD Type or COB Type • Tunble white (2700K-6500K) or RGBW (4 In 1) (3000K 4000K 5000K)
Power Consumption Max 燈具功率 Consumo de energía Max	• Dia 135mm : 6W 8W 10W • Dia 160mm : 15W 18W • Dia 182mm : 20W 25W 30W • Dia 208mm : 36W 40W • Dia 248mm : 45W 50W
Input Voltage 輸入電壓 Voltaje de entrada	• AC220-240V 50/60Hz • DC24V or DC24V +DMX512
LED Driver Type LED驅動款式 Tipo de controlador LED	Integrated-type LED Driver--Refer to LED driver specification 請參閱LED驅動器規格 Consulte la especificación de controlador de LED 1. ON/OFF Switch AC220-240V 50/60HZ 2. 0-10V Dimming Driver AC220-240V 50/60HZ 3. Dali Dimming Driver AC220-240V 50/60HZ 4. DC24V +DMX512
Control Protocol 控制協議 Protocolo de Control	0/1-10V / Dali / DMX512
Beam Angle 光束角 ángulo de haz	COB Type: 15° 24° 30° 36° 60° 130° SMD Type: 5° 8° 10° 20° 26° 30° 40° 60° Wallwasher: 15° x 55° 20° x 60° Tunable white and RGBW: 26° 40° 60°
Light Source Brand/光源品牌 Fuente de luz de marca	CREE
"Lumen Maintenance LM-80 Reported by TM-21"	L70(10k) > 60,000 hrs
LED Life/LED壽命 La vida del LED	>60,000 hours
Color Temperature / 色溫 / Temperatura del color	• 2700K / 3000K / 4000K / 5000K / 6500K • Tunble White 2700K-6500K • RGBW (3000K 4000K 5000K)
Color Rendering Index/顯色指數 Índice de reproducción cromática	>85
MacAdam Ellipses Binning 麥克亞當橢圓分級 Mac Adam binning elipse	Standard Deviation Colour Matching < 3 SDCM 標準偏差配色 < 3 SDCM Coincidencia de color estándar Desviación < 3 SDCM
Luminaire Efficacy 燈具效率 La eficacia de la luminaria	Clear Glass: 85Lm/w(2700K), 90 Lm/w(3000K), 100 Lm/w(4000K), 110 Lm/w(5000K), 110 Lm/w(6500K), 85 Lm/w (Tunable White) 40Lm Lm/w RGBW Flsted Glass: 45 Lm/w(2700K), 45 Lm/w(3000K), 50 Lm/w(4000K), 55 Lm/w(5000K), 55 Lm/w(6500K), 45 Lm/w (Tunable White) 20Lm Lm/w RGBW
LED Source Luminous Efficacy LED光源光效 Fuente luminosa LED Eficacia	120 Lm/w(2700K), 120 Lm/w(3000K), 130 Lm/w(4000K), 130Lm/w(5000K), 130 Lm/w(6500K), 100 Lm/w (Tunable White) 90 Lm Lm/w RGBW
Housing materials/外殼材料 Materiales de la carcasa	Die cast aluminium , tempered glass wiht #316 Stainless Steel Cover 壓鑄鋁, 鋼化玻璃和#316不銹鋼面蓋 Aluminio fundido, vidrio templado de espesor con # 316 de la cubierta de acero inoxidable
Housing Color/ 外殼顏色 Color de la carcasa	#316 Stainless Steel Cover #316不銹鋼面蓋 # 316 de la cubierta de acero inoxidable
Operating Temperature Range / 工作溫度範圍 Rango de temperatura de funcion amiento	-30 °C / +50 °C
Operating Humidity -工作濕度 Humedad de funcionamiento	0~100%, non-condensing-不結霜 sin condensación
Ingress Protection/ 防護等級 Protección de ingreso	IP67
Mech impact protection 機械衝擊保護 Protección contra impactos mecánicos	IK10
Dimension/尺寸 Dimensión	Refer to the Drawing 請參考圖紙 Consulte el dibujo
Pressure load 壓力負荷 Carga de presión	4,200 kg (~42 kN)
Comply Testing Standard 符合測試標準 Cumplir el estándar de prueba	LED Luminaires: IEC 60598-1 / IEC 60598-2-13 / IEC62471; IEC/EN 62031; IEC/EN 62493; IEC/EN 62471 (Risk Group 1); RoHS TM21 LED Driver: IEC/EN 61347-1; IEC/EN 61347-2-13; IEC/EN 62384; IEC/EN 61000-3-2; IEC/EN 61000-3-3; IEC/EN61574; EN 55015 ; IEC /EN 62384
Certification-認證-Certificación	       

Project	Fixture#	Date
		Firm

Ordering Information

Choose the option that suits your need and write its corresponding code on the appropriate line to form the product code.

Example product code: [LACARY-20W](#)

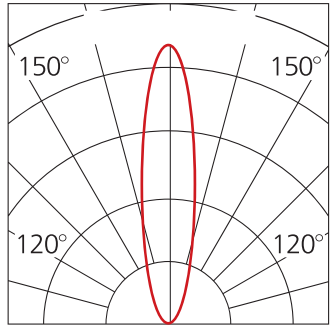
LACARY

- _____
Power Consumption

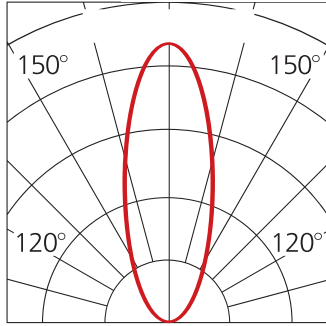
Power Consumption	
Code	Description
6W	6W @Dia 135mm
8W	8W @Dia 135mm
10W	10W @Dia 135mm
15W	15W @Dia 160mm
18W	18W @Dia 160mm
20W	20W @Dia 182mm
25W	25W @Dia 182mm
30W	30W @Dia 182mm
36W	36W @Dia 208mm
40W	40W @Dia 208mm
45W	45W @Dia 248mm
50W	50W @Dia 248mm



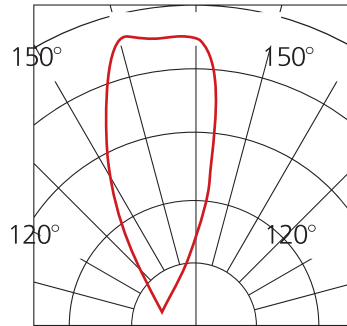
BEAM ANGLE COB LED



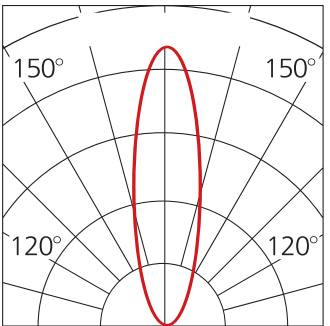
15°



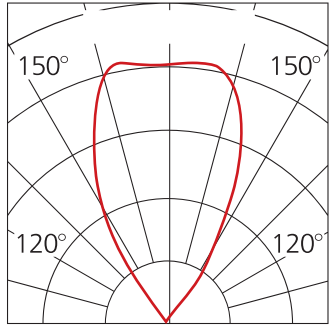
30°



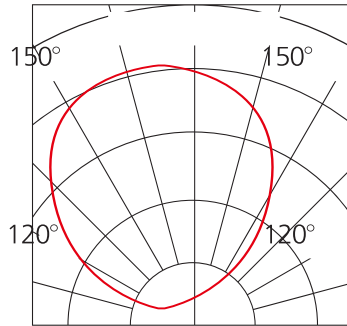
36°



24°

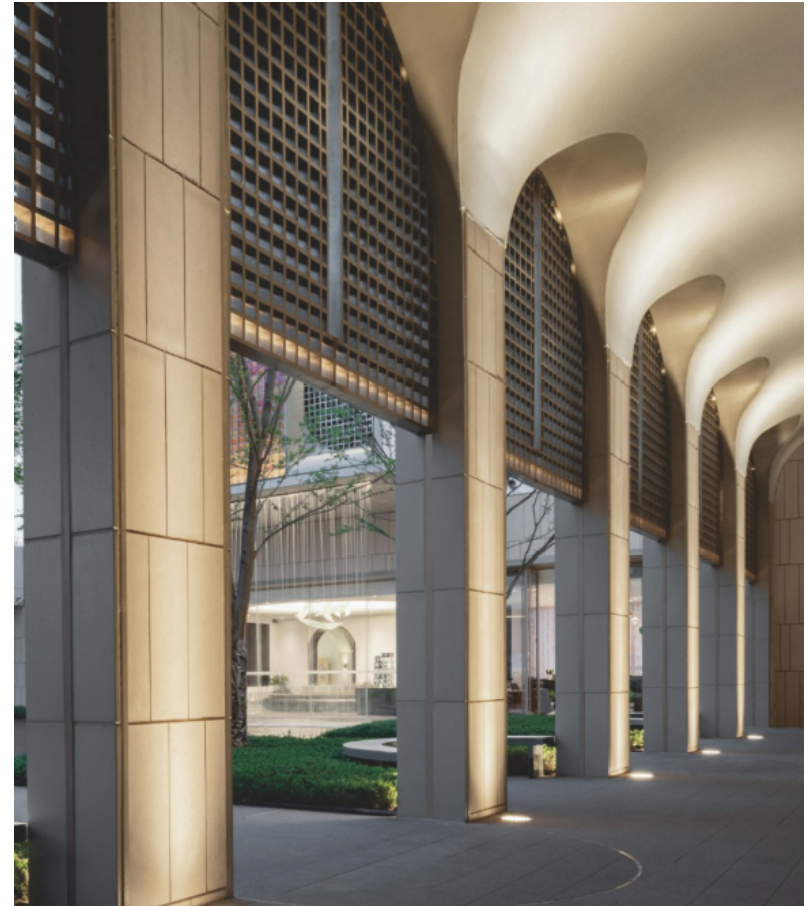


60°



130°

Filter



	Directional luminaire		Uplights		Lens wallwasher
	Narrow spot		Narrow spot		Wallwash
	Spot		Spot		
	Flood		Flood		
	Oval flood		Oval flood		

Directional luminaires for accentuating objects, plants or building details.

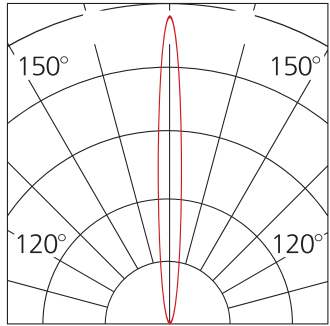
Uplights for precise grazing light on facades or objects.

Lens wallwashers for an exceptionally uniform brightness distribution on vertical surfaces.

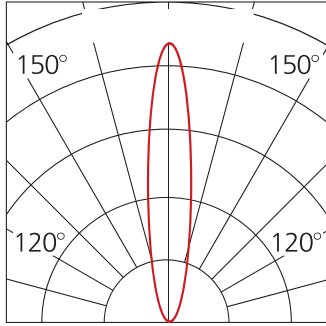
BEAM ANGLE SMD LED



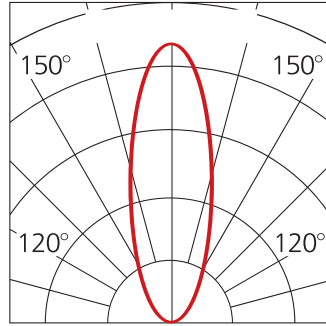
DIMON
TECHNOLOGY



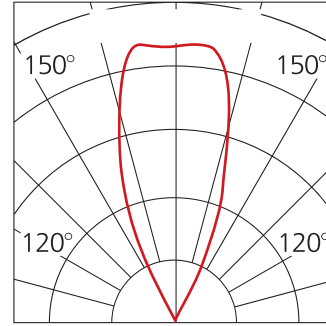
5°



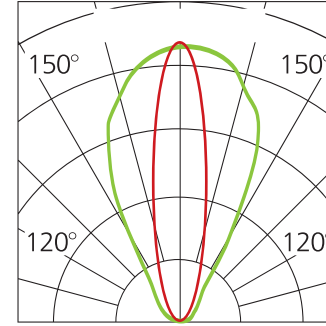
10°



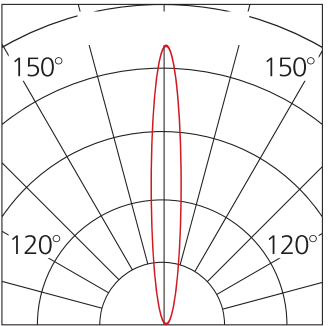
26°



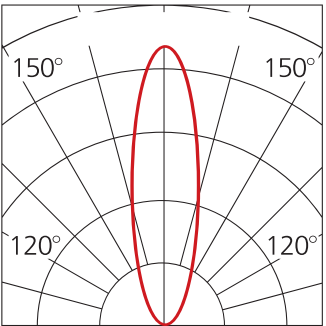
40°



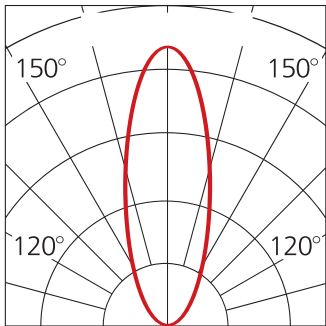
15° x 55°



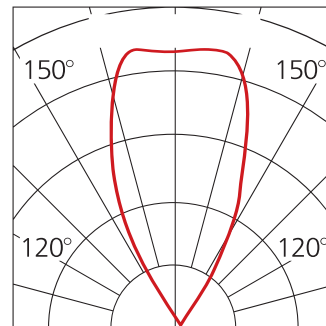
8°



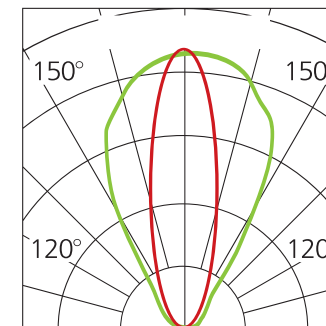
20°



30°



60°

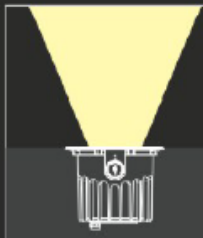


20° x 60°



Directional luminaire
Narrow spot
Spot
Flood
Oval flood

Directional luminaires for accentuating objects, plants or building details.



Uplights
Narrow spot
Spot
Flood
Oval flood

Uplights for precise grazing light on facades or objects.



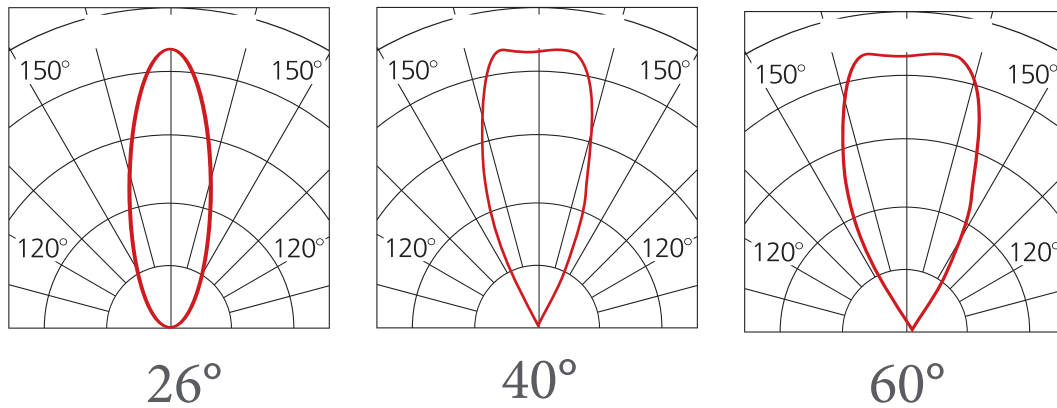
Lens wallwasher
Wallwash

Lens wallwashers for an exceptionally uniform brightness distribution on vertical surfaces.



BEAM ANGLE SMD LED

-Tunable White and RGBW (4in1)



	Directional luminaire		Uplights		Lens wallwasher
	Narrow spot		Narrow spot		Wallwash
	Spot		Spot		
	Flood		Flood		
	Oval flood				
<p>Directional luminaires for accentuating objects, plants or building details.</p>		<p>Uplights for precise grazing light on facades or objects.</p>		<p>Lens wallwashers for an exceptionally uniform brightness distribution on vertical surfaces.</p>	

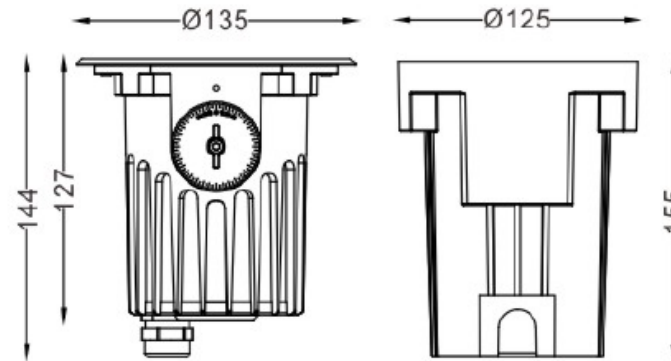


Technical Drawing-Depth Version
BEAM DIRECTION ADJUSTABLE ON SIDE IN-GROUND LIGHT
(Tilt- Angle+/- 25°)



COB LED
Weight : 3.2 Kg

SMD LED



Mounting Sleeve Material: ABS Plastic
Length: 2000mm Cable

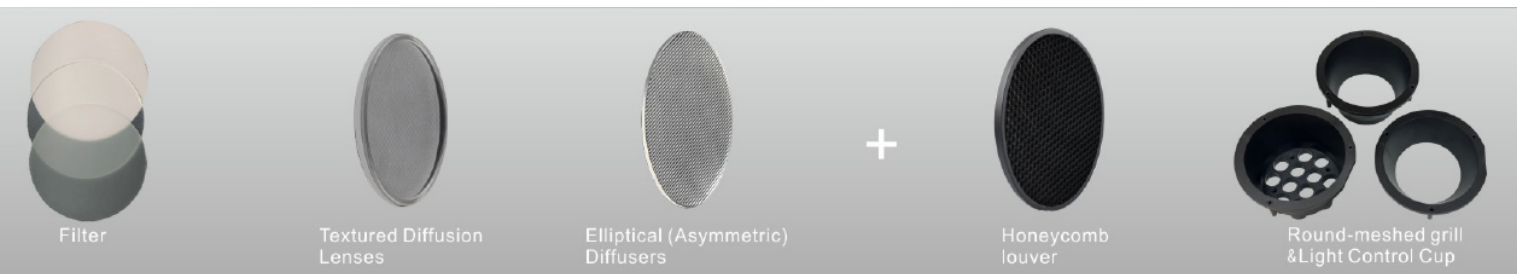
Unit: mm



Optical Accessories

**SS316 Square
Frame Cover**

IP68 Cable Plug



Transmittance rate:
50%

50%

70%

40%

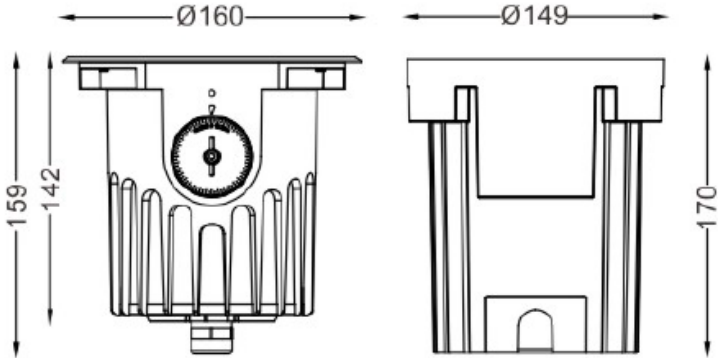
Technical Drawing-Depth Version
BEAM DIRECTION ADJUSTABLE ON SIDE IN-GROUND LIGHT
(Tilt- Angle+/- 25°)



COB LED
Weight : 3.9 Kg



SMD LED

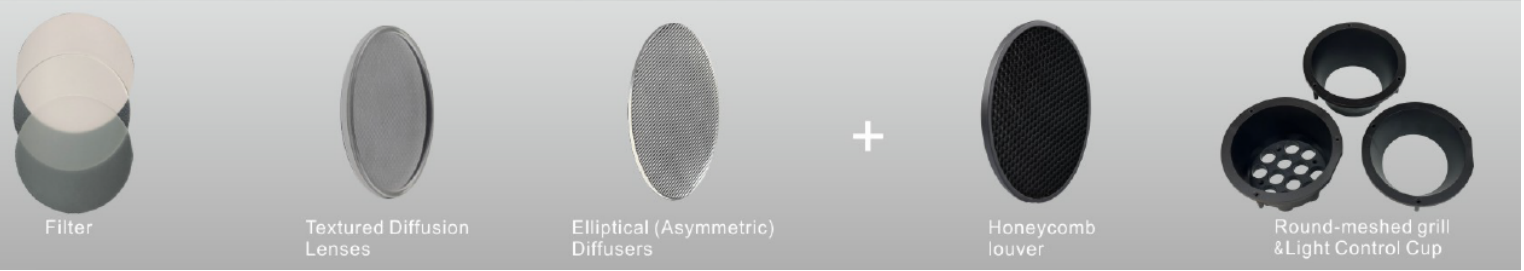


Mounting Sleeve Material: ABS Plastic
Length: 2000mm Cable



Unit: mm

Optical Accessories



Transmittance rate:
50%

50%

70%

40%

SS316 Square Frame Cover



IP68 Cable Plug



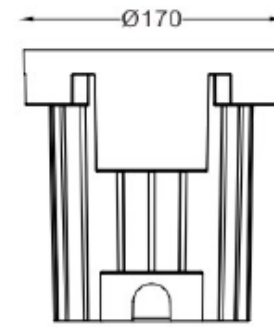
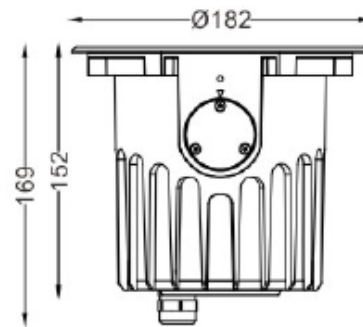
Technical Drawing-Depth Version
BEAM DIRECTION ADJUSTABLE ON SIDE IN-GROUND LIGHT
(Tilt- Angle+/- 25°)



COB LED
Weight : 4.5 Kg



SMD LED

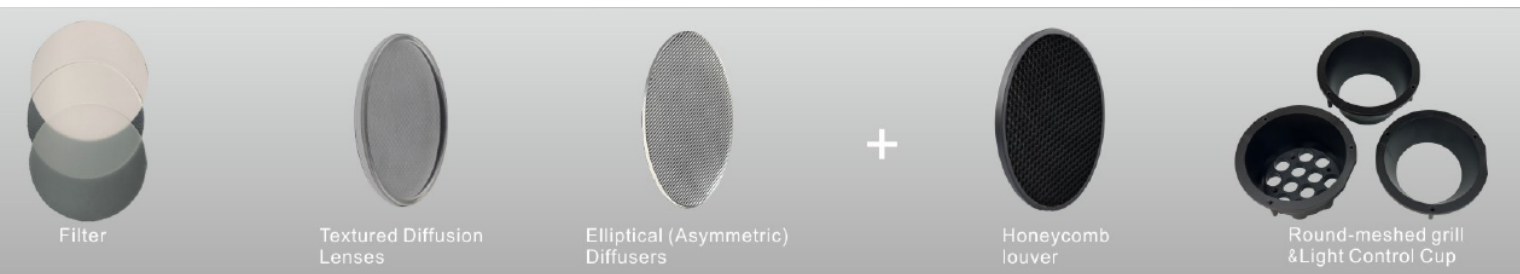


Unit: mm



Mounting Sleeve Material: ABS Plastic
Length: 2000mm Cable

Optical Accessories



Transmittance rate:
50%

50%

70%

40%

**SS316 Square
Frame Cover**



IP68 Cable Plug



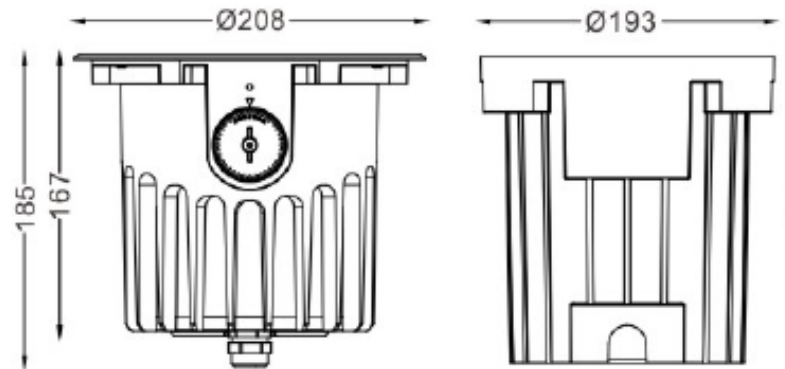
Technical Drawing-Depth Version
BEAM DIRECTION ADJUSTABLE ON SIDE IN-GROUND LIGHT
(Tilt- Angle+/- 25°)



COB LED
Weight : 5.3 Kg



SMD LED

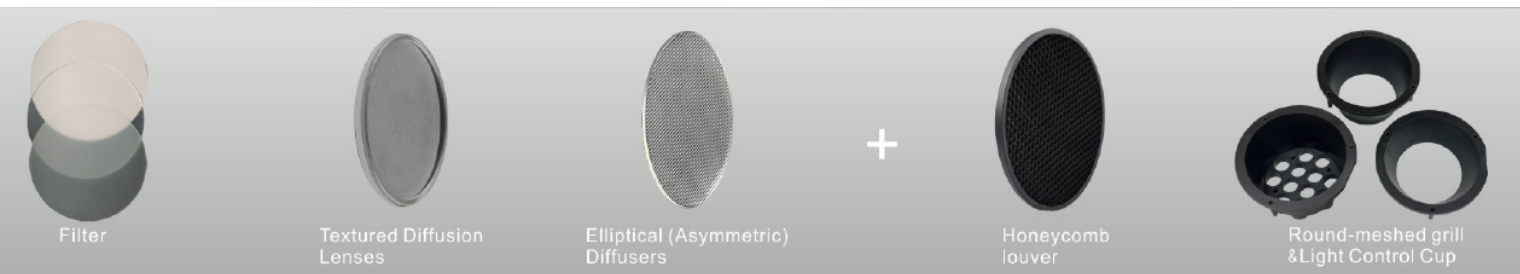


Mounting Sleeve Material: ABS Plastic
Length: 2000mm Cable

Unit: mm



Optical Accessories



Transmittance rate:
50%

50%

70%

40%

SS316 Square Frame Cover



IP68 Cable Plug



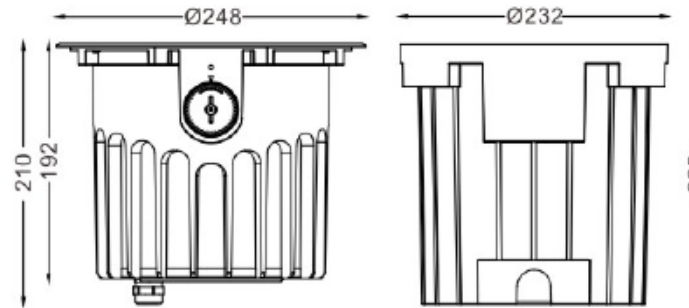
Technical Drawing-Depth Version
BEAM DIRECTION ADJUSTABLE ON SIDE IN-GROUND LIGHT
(Tilt- Angle+/- 25°)



COB LED
Weight : 6.1 Kg



SMD LED

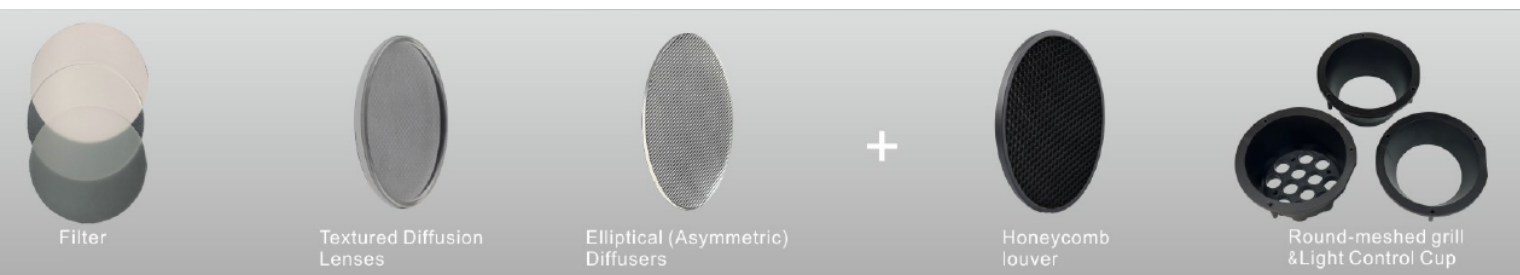


Mounting Sleeve Material: ABS Plastic
Length: 2000mm Cable



Unit: mm

Optical Accessories



Transmittance rate:
50%

50%

70%

40%

SS316 Square Frame Cover

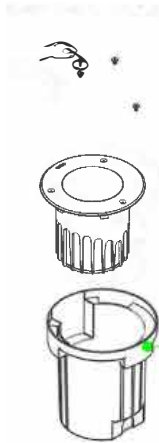


IP68 Cable Plug

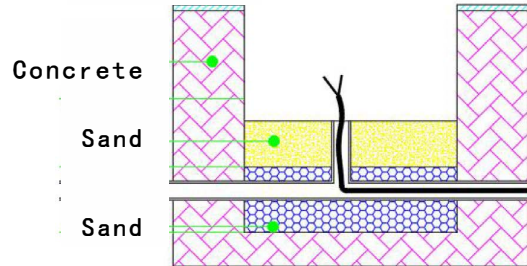


INSTALLATION AND MAINTENANCE MANUAL

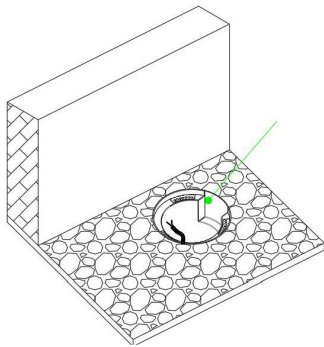
1



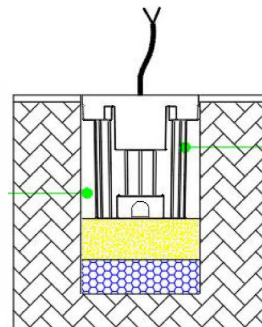
2



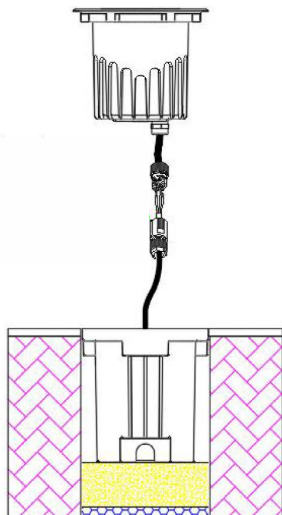
3



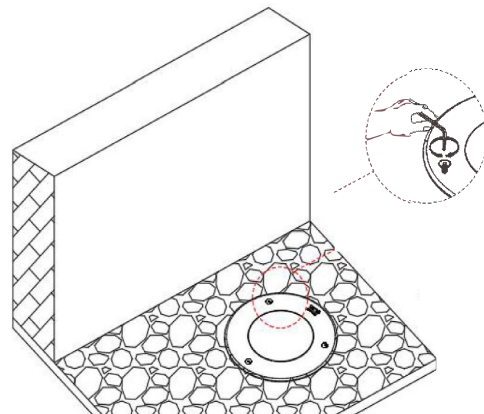
4



5

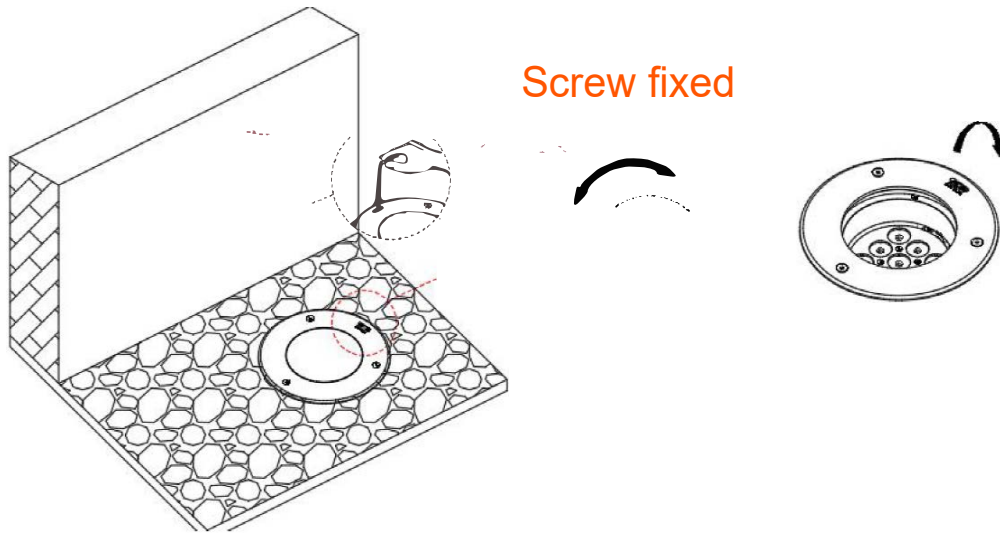


6

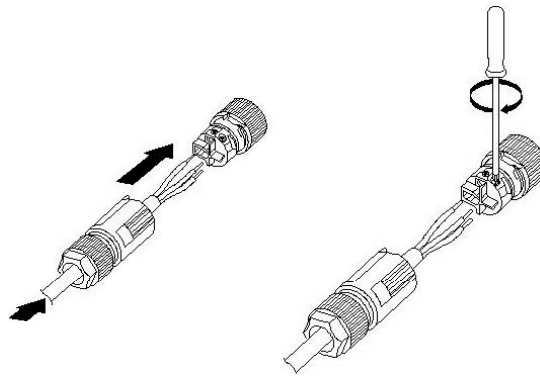


INSTALLATION AND MAINTENANCE MANUAL

8



9



IP68 Plug connection

10

